

ESOTERIC

P-05X

Super Audio CD/CD Transport

OWNER'S MANUAL..... 3

MODE D'EMPLOI..... 31

MANUAL DEL USUARIO..... 59



IMPORTANT SAFETY INSTRUCTIONS

CAUTION

RISK OF ELECTRIC SHOCK

DO NOT OPEN

CAUTION: TO REDUCE THE RISK OF ELECTRIC SHOCK, DO NOT REMOVE COVER (OR BACK). NO USER-SERVICEABLE PARTS INSIDE. REFER SERVICING TO QUALIFIED SERVICE PERSONNEL.



The lightning flash with arrowhead symbol, within an equilateral triangle, is intended to alert the user to the presence of uninsulated "dangerous voltage" within the product's enclosure that may be of sufficient magnitude to constitute a risk of electric shock to persons.



The exclamation point within an equilateral triangle is intended to alert the user to the presence of important operating and maintenance (servicing) instructions in the literature accompanying the appliance.

WARNING: TO PREVENT FIRE OR SHOCK HAZARD, DO NOT EXPOSE THIS APPLIANCE TO RAIN OR MOISTURE.

CAUTION

- DO NOT REMOVE THE EXTERNAL CASES OR CABINETS TO EXPOSE THE ELECTRONICS. NO USER SERVICEABLE PARTS ARE INSIDE.
- IF YOU ARE EXPERIENCING PROBLEMS WITH THIS PRODUCT, CONTACT THE STORE WHERE YOU PURCHASED THE UNIT FOR A SERVICE REFERRAL. DO NOT USE THE PRODUCT UNTIL IT HAS BEEN REPAIRED.
- USE OF CONTROLS OR ADJUSTMENTS OR PERFORMANCE OF PROCEDURES OTHER THAN THOSE SPECIFIED HEREIN MAY RESULT IN HAZARDOUS RADIATION EXPOSURE.

IN USA/CANADA, USE ONLY ON 120 V SUPPLY.

Model for USA

This equipment has been tested and found to comply with the limits for a Class B digital device, pursuant to Part 15 of the FCC Rules. These limits are designed to provide reasonable protection against harmful interference in a residential installation. This equipment generates, uses, and can radiate radio frequency energy and, if not installed and used in accordance with the instructions, may cause harmful interference to radio communications. However, there is no guarantee that interference will not occur in a particular installation. If this equipment does cause harmful interference to radio or television reception, which can be determined by turning the equipment off and on, the user is encouraged to try to correct the interference by one or more of the following measures:

- Reorient or relocate the equipment and/or the receiving antenna.
- Increase the separation between the equipment and receiver.
- Connect the equipment into an outlet on a circuit different from that to which the receiver is connected.
- Consult the dealer or an experienced radio/TV technician for help.

Model for Canada

Industry Canada's Compliance Statement:

This Class B digital apparatus complies with Canadian ICES-003.

Model for Europe



This product complies with the European Directives request, and the other Commission Regulations.

China RoHS (电子信息产品污染控制管理办法)

- The information in the following table is only applicable to products for sale in the People's Republic of China.
- The products sold in the European area are manufactured in accordance with the European RoHS Directive.



产品有毒有害物质或元素的名称及含量

机种: P-05X		有毒有害物质或元素					
		铅 (Pb)	汞 (Hg)	镉 (Cd)	六价铬 (Cr (VI))	多溴联苯 (PBB)	多溴二苯醚 (PBDE)
1	CHASSIS部份	×	○	○	○	○	○
2	PANEL部份	○	○	○	○	○	○
3	FOOT部份	○	○	○	○	○	○
4	螺丝部份	○	○	○	○	○	○
5	PCB Assy部份	×	○	○	○	○	○
6	线材部份	○	○	○	○	○	○
7	SEAL部份	○	○	○	○	○	○
8	AC CORD部份	×	○	○	○	○	○
9	附属品部份	○	○	○	○	○	○
10	包装部份	○	○	○	○	○	○

○: 表示该有毒有害物质在该部件所有均质材料中的含量均在 GB/T26572 标准规定的限量要求以下。
 ×: 表示该有毒有害物质至少在该部件的某一均质材料中的含量超出 GB/T26572 标准规定的限量要求。
 (针对现在代替技术困难的电子部品及合金中的铅)

IMPORTANT SAFETY INSTRUCTIONS (continued)

CAUTION

Changes or modifications not expressly approved by the party responsible for compliance could void the user's authority to operate the equipment.

Laser information

This product contains a semiconductor laser system inside the cabinet and is classified as a "CLASS 1 LASER PRODUCT".

To prevent being exposed to the laser beam, do not try to open the enclosure.

Laser:

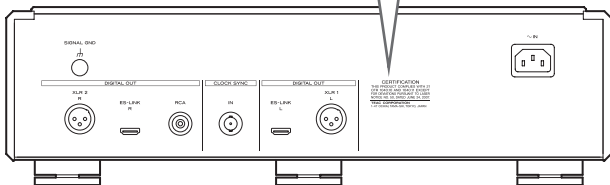
Type:	SLD6163RL-G
Manufacturer:	SONY CORPORATION
Laser output:	Less than 1 mW on the objective lens
Wavelength:	785±15 nm (CD) 655±10 nm (Super Audio CD)

Model for USA

This product has been designed and manufactured according to FDA regulations "title 21, CFR, chapter 1, subchapter J, based on the Radiation Control for Health and Safety Act of 1968", and is classified as class **I** laser product. There is not hazardous invisible laser radiation during operation because invisible laser radiation emitted inside of this product is completely confined in the protective housings.

The label required in this regulation is as follows:

CERTIFICATION
THIS PRODUCT COMPLIES WITH 21
CFR 1040.10 AND 1040.11 EXCEPT
FOR DEVIATIONS PURSUANT TO LASER
NOTICE NO. 50, DATED JUNE 24, 2007.
TEAC CORPORATION
1-47 OCHIAI, TAMA-SHI, TOKYO, JAPAN



- 1) Read these instructions.
- 2) Keep these instructions.
- 3) Heed all warnings.
- 4) Follow all instructions.
- 5) Do not use this apparatus near water.
- 6) Clean only with dry cloth.
- 7) Do not block any ventilation openings. Install in accordance with the manufacturer's instructions.
- 8) Do not install near any heat sources such as radiators, heat registers, stoves, or other apparatus (including amplifiers) that produce heat.
- 9) Do not defeat the safety purpose of the polarized or grounding-type plug. A polarized plug has two blades with one wider than the other. A grounding type plug has two blades and a third grounding prong. The wide blade or the third prong are provided for your safety. If the provided plug does not fit into your outlet, consult an electrician for replacement of the obsolete outlet.
- 10) Protect the power cord from being walked on or pinched particularly at plugs, convenience receptacles, and the point where they exit from the apparatus.
- 11) Only use attachments/accessories specified by the manufacturer.
- 12) Use only with the cart, stand, tripod, bracket, or table specified by the manufacturer, or sold with the apparatus. When a cart is used, use caution when moving the cart/apparatus combination to avoid injury from tip-over.
- 13) Unplug this apparatus during lightning storms or when unused for long periods of time.
- 14) Refer all servicing to qualified service personnel. Servicing is required when the apparatus has been damaged in any way, such as power-supply cord or plug is damaged, liquid has been spilled or objects have fallen into the apparatus, the apparatus has been exposed to rain or moisture, does not operate normally, or has been dropped.



- The apparatus draws nominal non-operating power from the AC outlet with its POWER or STANDBY/ON switch not in the ON position.
- The mains plug is used as the disconnect device; the disconnect device shall remain readily operable.
- Caution should be taken when using earphones or headphones with the product because excessive sound pressure (volume) from earphones or headphones can cause hearing loss.

WARNING

Products with Class **I** construction are equipped with a power supply cord that has a grounding plug. The cord of such a product must be plugged into an AC outlet that has a protective grounding connection.

CAUTION

- Do not expose this apparatus to drips or splashes.
- Do not place any objects filled with liquids, such as vases, on the apparatus.
- Do not install this apparatus in a confined space such as a book case or similar unit.
- The apparatus should be located close enough to the AC outlet so that you can easily reach the power cord plug at any time.
- If the product uses batteries (including a battery pack or installed batteries), they should not be exposed to sunshine, fire or excessive heat.
- CAUTION for products that use replaceable lithium batteries: there is danger of explosion if a battery is replaced with an incorrect type of battery. Replace only with the same or equivalent type.



Precautions concerning batteries

Misuse of batteries could cause them to rupture or leak leading to fire, injury or the staining of nearby things. Please read and observe the following precautions carefully.

- Be sure to insert the batteries with correct positive (\oplus) and negative (\ominus) orientations.
- Use batteries of the same type. Never use different types of batteries together.
- If the remote control is not used for a long time (more than a month), remove the batteries to prevent them from leaking.
- If the batteries leak, wipe away the leakage inside the battery compartment and replace the batteries with new ones.
- Do not use batteries of types other than those specified. Do not mix new batteries with old ones or use different types of batteries together.
- Do not heat or disassemble batteries. Never throw batteries into fire or water.
- Do not carry or store batteries with other metallic objects. The batteries could short circuit, leak or explode.
- Never recharge a battery unless it is confirmed to be a rechargeable type.

For European Customers

Disposal of electrical and electronic equipment and batteries and/or accumulators

- All electrical/electronic equipment and waste batteries/accumulators should be disposed of separately from the municipal waste stream via collection facilities designated by the government or local authorities.
- By disposing of electrical/electronic equipment and waste batteries/accumulators correctly, you will help save valuable resources and prevent any potential negative effects on human health and the environment.
- Improper disposal of waste electrical/electronic equipment and batteries/accumulators can have serious effects on the environment and human health because of the presence of hazardous substances in the equipment.
- The Waste Electrical and Electronic Equipment (WEEE) symbols, which show wheeled bins that have been crossed out, indicate that electrical/electronic equipment and batteries/accumulators must be collected and disposed of separately from household waste. If a battery or accumulator contains more than the specified values of lead (Pb), mercury (Hg), and/or cadmium (Cd) as defined in the Battery Directive (2006/66/EC), then the chemical symbols for those elements will be indicated beneath the WEEE symbol.
 

- Return and collection systems are available to end users. For more detailed information about the disposal of old electrical/electronic equipment and waste batteries/accumulators, please contact your city office, waste disposal service or the shop where you purchased the equipment.

"DSD" is a registered trademark.

"Super Audio CD" is a registered trademark.

This product incorporates copy protection technology that is protected by U.S. patents and other intellectual property rights of Rovi Corporation. The use of Rovi Corporation's copy protection technology in the product must be authorized by Rovi Corporation. Reverse engineering and disassembly are prohibited.

MEXCEL is a registered trademark of Mitsubishi Cable Industries, Ltd. in Japan and other countries.

ESOTERIC is a trademark of TEAC CORPORATION, registered in the U.S. and other countries.

Other company names, product names and logos in this document are the trademarks or registered trademarks of their respective owners.

Contents

Thank you for purchasing this ESOTERIC product.

Read this manual carefully to get the best performance from this product. After reading it, keep it in a safe place with the warranty card for future reference.

IMPORTANT SAFETY INSTRUCTIONS	3	Setting mode.....	23
Before use.....	7	Meanings of items shown in setting mode.....	24
What's in the box.....	7	Output connector/format setting.....	24
Note about pinpoint feet.....	7	Clock mode setting.....	25
Maintenance.....	7	D/A converter setting.....	25
Precautions for use.....	8	Priority playback area setting.....	25
Notes about discs.....	8	Automatic display darkening setting.....	25
Making connections.....	10	Automatic power saving setting.....	26
Names and functions of parts (main unit).....	12	Restoring factory settings.....	26
Names and functions of parts (display).....	13	Troubleshooting.....	27
Names and functions of parts (remote control).....	14	Specifications.....	29
Notes about the remote control.....	15	Dimensional drawings.....	30
Basic operation.....	16		
Turning the unit on and off.....	16		
Playback.....	16		
Pausing playback.....	17		
Stopping playback.....	17		
Using the number buttons to select a track for playback.....	18		
Skipping tracks.....	18		
Searching backward/forward.....	19		
Repeat playback.....	19		
REPEAT TRK.....	19		
REPEAT DSC.....	19		
Program playback.....	20		
Adding tracks to the end of the program.....	21		
Clearing the entire program and resuming ordinary playback.....	21		
Changing the playback area.....	21		
Display.....	22		
Dimmer.....	22		

What's in the box

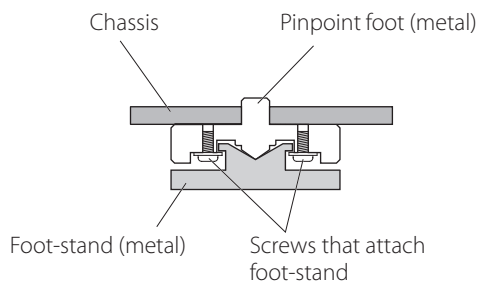
Check to be sure the box includes all the supplied accessories shown below. Please contact the store where you purchased this unit if any of these accessories are missing or have been damaged during transportation.

- Power cord × 1
- HDMI cable × 1
- Remote control (RC-1301) × 1
- Batteries for remote control (AAA) × 2
- Felt pads × 3
- Owner's manual (this document) × 1
- Warranty card × 1

Note about pinpoint feet

High-precision metal pinpoint feet are attached firmly to the bottom plate of this unit.

The stands for these feet are loose, but when the unit is placed in position, it is supported by these pinpoint feet, which will effectively disperse vibrations.



- Apply the included felt pads to the bottoms of the foot-stands to avoid scratching the surface where the unit is placed.

Maintenance

Use a soft dry cloth to wipe the surface of the unit clean.

For stubborn smudges, use a damp cloth that has been thoroughly wrung out to remove excess moisture.

⚠ For safety, disconnect the power plug from the outlet before wiping the unit.

- Never spray liquid directly on this unit.
- Do not use chemically-treated wipes, thinner or similar substances because they could damage the surface of the unit.
- Avoid allowing rubber or plastic materials to touch the unit for long periods of time because they could damage the cabinet.

Precautions for use

- This unit is very heavy, so take care to avoid injury during installation.
- Do not install this unit in a location that could become hot. This includes places that are exposed to direct sunlight or near a radiator, heater, stove or other heating equipment. Moreover, do not place it on top of an amplifier or other equipment that generates heat. Doing so could cause discoloration, deformation or malfunction.
- Avoid locations that are extremely cold or exposed to vibrations, excessive humidity or dust.
- In order to enable good heat dissipation, leave at least 20 cm (8") between this unit and walls and other equipment when installing it. If you put it in a rack, take precautions to prevent overheating by leaving at least 5 cm (2") open above the top of the unit and at least 10 cm (4") open behind the unit. Failure to provide these gaps could cause heat to build up inside and result in fire.
- If installing in a rack with a glass door, do not use the remote control tray OPEN/CLOSE (▲) button to open the disc tray when the door is closed. If the disc tray is forcibly prevented from moving, damage could result.
- Place the unit in a stable location near the audio system that you will use with it.
- Do not put anything on top of the unit.
- Do not lift or move the unit during playback because the disc rotates at high speed. Doing so could damage the disc.
- Always remove any loaded disc before moving this unit or packing it for installation in a different location, for example. Moving the unit with a disc inside could cause damage.
- Supply voltage to the power unit that matches the voltage indicated on the rear panel. If you are in any doubt regarding this matter, consult an electrician.
- Do not open the body of the unit because this could result in damage to the circuitry or cause electric shock. If a foreign object should enter the unit, contact your dealer.
- When removing the power plug from an outlet, always pull directly on the plug. Never pull on the cord.
- The shape of the ES-LINK connector is the same as that of an HDMI connector, but it transmits signals that are in a unique ESOTERIC format. Do not connect the ES-LINK connector to an HDMI connector on a device made by another company. ES-LINK and HDMI connectors are not compatible.

Notes about discs

The following marks appear on disc labels and disc cases. This unit can play discs that have these marks without using an adapter. This unit cannot play discs that do not have these marks.

Types of discs that can be played on this unit and their marks



If you try to play any other type of disc with this unit, loud noises that could damage speakers or harm hearing might occur. Never try to play any type of disc other than those shown above.

- This unit cannot play DVD video, DVD audio, video CD, DVD-ROM and CD-ROM discs, for example.
- This unit might not be able to properly play Dual Discs, Copy Control CDs or other special CDs that do not conform to the Red Book CD standard. Operation and sound quality cannot be guaranteed when special discs are used in this unit. If playback of a special disc should cause trouble, contact the seller of the disc.

CD-R/CR-RW discs

This unit can play CD-R/CD-RW discs that are in audio CD format.

- Be sure to finalize discs created by CD recorders.

Depending on the quality of the disc and the condition of the recording, playback might not be possible. For details, see the operation manual for the device you are using.

Handling discs

- Load discs with their labeled sides up. (CDs only have one playable side.)
- To remove a disc from its case, always press down on the center of the case first and then hold the disc by its edges.

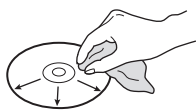
Removal from case



Holding by edges

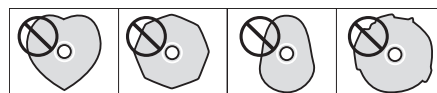


- Be careful when handling discs. If the side that contains the data (unlabeled side) is scratched, smudged with fingerprints or otherwise dirty or marred, errors could occur during playback.
- If the side of the disc that has the data encoded on it (unlabeled side) becomes dirty with fingerprints or dust, use a soft cloth to wipe the surface from the center directly toward the edge. Always clean discs before storing them. Leaving a disc in an unclean state might degrade its sound quality.



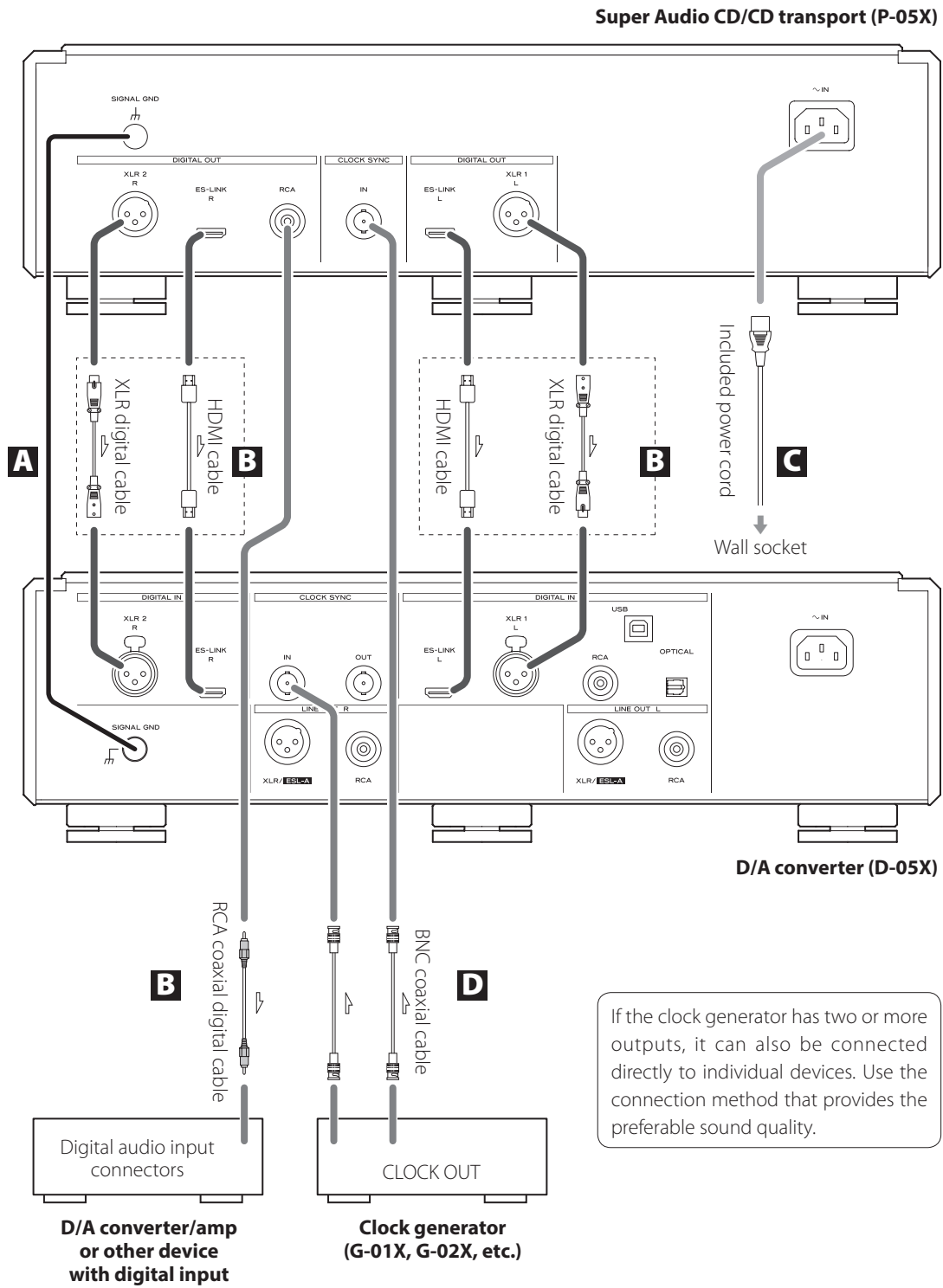
- Never use record cleaners, antistatic treatments, thinners or similar chemicals to clean discs. Such chemicals could harm the surface of the disc.
- Do not leave discs in places that are exposed to direct sunlight or that are very humid or hot.
- When writing something on the label side of a disc, use a felt-tip permanent marker. The use of a ballpoint pen or other pen with a hard tip could damage the disc, making it unplayable.
- After you finish playing a disc, always put it back into its case for storage. Failure to do so could result in warping or scratches.
- Do not apply labels or other materials to discs. Do not use a disc that has sticky residue left on its surface after removing tape or a sticker, for example. If such a disc is loaded, it might become stuck in the unit or damage the unit.

- Never use commercially-available CD stabilizers. Doing so could make the disc unplayable or damage the unit.
- Do not use cracked discs because they could damage the unit.
- Never use discs with irregular shapes, including heart-shaped and octagonal discs, because they could damage the unit.



- Do not use printable discs, which allow printing on the label side. Since the surface of such a disc has been specially treated, if loaded, it might become stuck in the unit or damage the unit.

If you have any questions about how to handle a CD-R or CD-RW disc, contact the manufacturer of the disc directly.



⚠ Precautions when making connections

- After completing all other connections, plug the power plug into a power outlet.
- Read the owner's manuals of all devices that will be connected, and follow their instructions.

A SIGNAL GND grounding terminal

Connecting this grounding terminal to the grounding terminal of the D/A converter, amplifier or other device might improve the audio quality.

- This is not an electrical safety ground.

B Digital audio output (DIGITAL OUT) connectors

These output digital audio. Connect these to the digital input connectors of a D/A converter (such as a D-05X).

ES-LINK: HDMI cable

- Use the two HDMI cables included (one each) with this unit and an ESOTERIC D/A converter. The shape of the ES-LINK connector is the same as that of an HDMI connector, but it transmits signals that are in a unique ESOTERIC format. Do not connect the ES-LINK connector to an HDMI connector on a device made by another company. ES-LINK and HDMI connectors are not compatible.
- The HDMI cable included with this unit is directional. Connect the end of the cable with white marking to the D/A converter.

Use commercially-available cables for the following connections.

XLR: XLR digital cable

RCA: RCA coaxial digital cable


- Use one pair of these to connect the unit to the D/A converter.

Change the output settings of the connectors according to the connectors being used (page 24).

- We recommend using ES-LINK when connecting to a D-05X.
- When connecting to an ESOTERIC D/A converter (Grandioso D1/D-01/D-02/D-03/D-05/D-02X/D-05X/D-07X) or D/A converter that supports Dual AES, use two cables and connect this unit's XLR 1 (L) connector to the L connector on the D/A converter and this unit's XLR 2 (R) connector to the R connector on the D/A converter (Dual AES connection).

C Power inlet (~IN)

Connect the included AC power cord to this socket. After completing all other connections, plug the power plug into a power outlet.

 **Use only a genuine ESOTERIC power cord. Use of other power cords could result in fire or electric shock.**

 **Disconnect the power plug from the outlet if you will not use the unit for a long time.**

D CLOCK SYNC IN connector

Use this to input clock synchronization signals. When using a master clock generator, connect its clock output connector to this unit's CLOCK SYNC IN connector.

Use a commercially-available BNC coaxial cable for this connection.

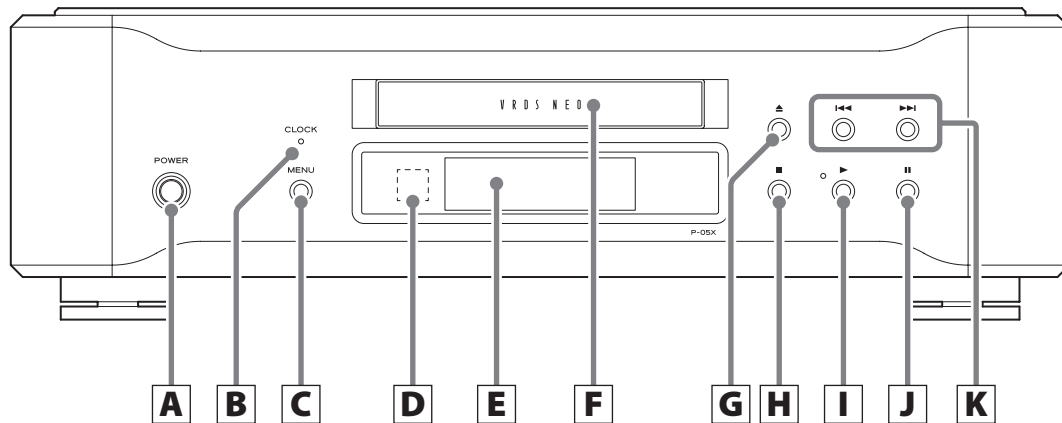
Use a BNC coaxial cable with 50Ω or 75Ω impedance.

At ESOTERIC, we use **ESOTERIC MEXCEL stressfree cables** for reference.

For detailed information, access the following website.

<http://www.esoteric.jp/products/esoteric/accessory/indexe.html>

Names and functions of parts (main unit)



A POWER button

Press to turn the unit on and off.
When the unit is on, the ring around the button lights blue.
When the unit is off, it is unlit.
When not using the unit, turn it off.

B CLOCK indicator

This shows the clock synchronization status.
When the clock sync setting is set to IN or MCK22M, this will begin to blink. When a clock signal is detected and synchronization occurs, it will stop blinking and stay lit.

C MENU button

Use to enter setting mode (page 23).

D Remote control signal receiver

This receives signals from the remote control. When using the remote control, point the end of it toward this receiver panel (page 15).

E Display

This shows playback time, track number and other information (page 22).

F Disc tray

Load a disc for playback here (page 16).

G Tray open/close (▲) button

Press to open and close the disc tray (page 16).

H Stop (■) button

Press to stop playback (page 17).
When stopped, press and hold for at least two seconds to change the playback area of a Super Audio CD (page 21).
Press when in setting mode to complete changing settings and show the ordinary display (page 23).

I Play (▶) button

Press to start disc playback (page 16).
During playback, the indicator next to this button lights.

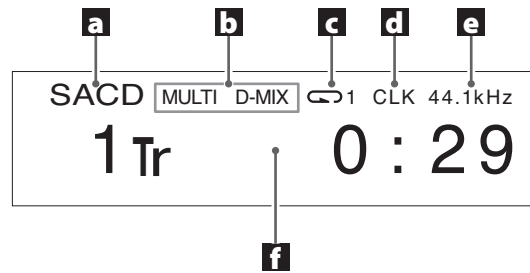
J Pause (||) button

Press to pause playback (page 17).
When paused, the indicator next to the play button blinks.

K Skip (◀◀/▶▶) buttons

Use to skip to the previous or next track (page 18).
Press and hold for at least one second during playback to search backward/forward. Repeatedly press and hold for more than one second to change the backward/forward search speed to one of three levels (page 19).
Use to change parameters when in setting mode (page 23).

Names and functions of parts (display)



a Disc type

This shows the type of disc that is currently loaded.

- SACD: Super Audio CD
- CD: Audio CD

b Information

During Super Audio CD playback

No indicator:

- The two-channel area of a Super Audio CD is selected.

MULTI D-MIX:

- This appears when the multichannel audio of a Super Audio CD is being downmixed and output.

c Repeat indicator

This appears during repeat playback (page 19).

d Clock mode

This shows the clock mode (page 25).

- No indicator: CLK set to OFF
- CLK: CLK set to IN
- MCK: CLK set to MCK22M

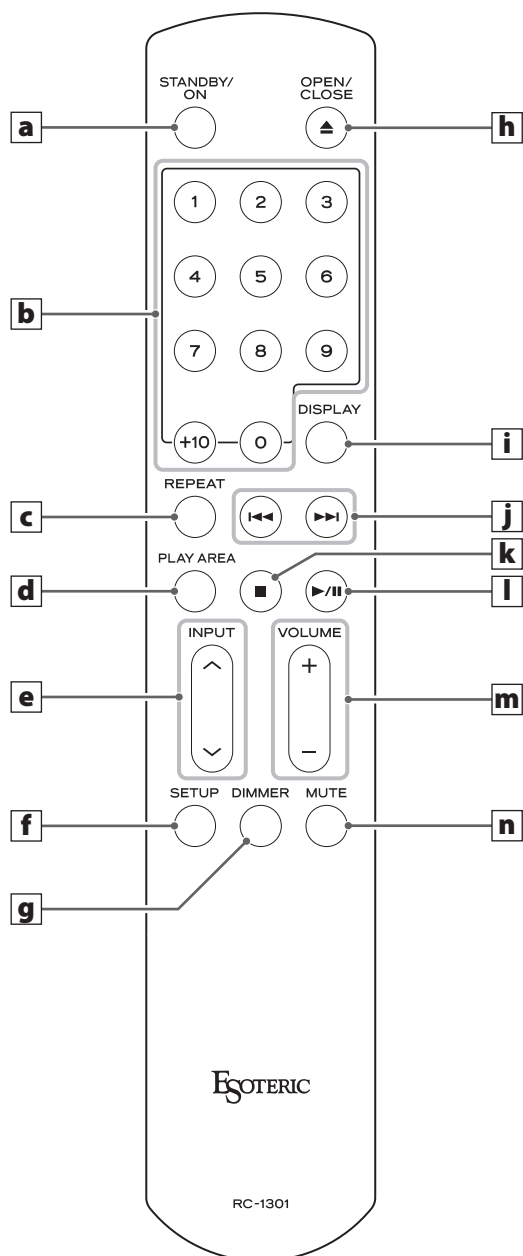
e Input clock frequency

The synchronization signal (clock) frequency input through the CLOCK SYNC IN connector is shown.

f Message display area

The playback time and various messages appear here.

Names and functions of parts (remote control)



When both the main unit and the remote control have buttons with the same functions, the instructions in this manual refer to only the main unit buttons, but the remote buttons can be used in the same way.

a STANDBY/ON button

This button is not used with this unit.

b Number buttons

Use to select tracks.

c REPEAT button

Use for repeat playback (page 19).
Press and hold to enter program mode (page 20).

d PLAY AREA button

When stopped, press to change the playback area of a Super Audio CD (page 21).

e INPUT buttons (^/∨)

These buttons are not used with this unit. They can be used to switch the inputs of ESOTERIC D/A converters (including the D-05X) and amplifiers.

f SETUP button

This button is not used with this unit. It can be used with ESOTERIC D/A converters (including the D-05X), amplifiers and other products.

g DIMMER button

Use to adjust the brightness of the main unit's display (page 22).

h Tray OPEN/CLOSE (▲) button

Press to open and close the disc tray (page 16).

i DISPLAY button

During playback, press this button to change what is shown on the display (page 22).

j Skip (◀◀/▶▶) buttons

Press to skip to the previous or next track.
Press and hold for at least one second during playback to search backward/forward. Repeatedly press and hold for more than one second to change the backward/forward search speed to one of three levels (page 19).
Use to change parameters when in setting mode (page 23).

Notes about the remote control

k Stop (■) button

Press to stop playback (page 17).

l Play/pause (▶/⏸) button

Press when stopped or paused to start playback.
Press during playback to pause (page 17).

m VOLUME buttons (+/-)

These buttons are not used with this unit. They can be used with ESOTERIC D/A converters (including the D-05X), amplifiers and other products.

n MUTE button

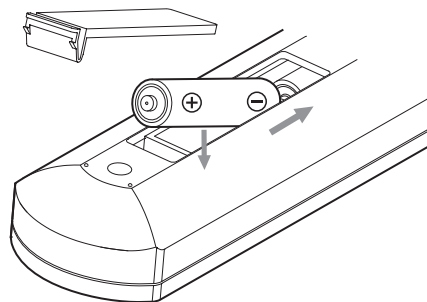
This button is not used with this unit. It can be used to mute ESOTERIC D/A converters (including the D-05X) and amplifiers.

Precautions when using the remote control

- When using the remote control, point it toward the remote control signal receiver on the main unit from a distance of 7 m (23 ft) or less. Do not place obstructions between the main unit and the remote control.
- The remote control might not work if the remote control signal receiver is exposed to direct sunlight or bright light.
- Beware that use of this remote control could cause the unintentional operation of other devices that can be controlled by infrared rays.

Installing batteries

Remove the cover from the back of the remote control and insert two AAA batteries with their ⊕/⊖ oriented as shown in the case. Replace the cover.



When to replace batteries

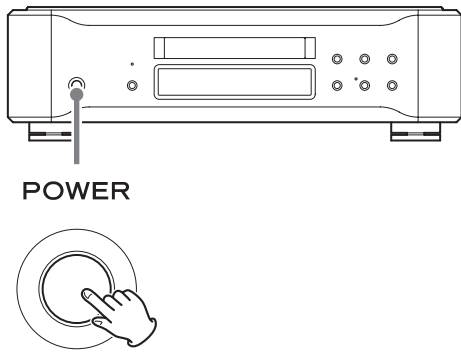
If the distance required between the remote and the main unit decreases or if the unit stops responding to the remote buttons, replace both batteries with new ones.

Dispose of the used batteries according to the instructions on them or requirements set by your local municipality.

⚠ CAUTION

Misuse of batteries could cause them to rupture or leak, which might result in fire, injury or the staining of nearby materials. Please read and observe the precautions on page 5 carefully.

Turning the unit on and off

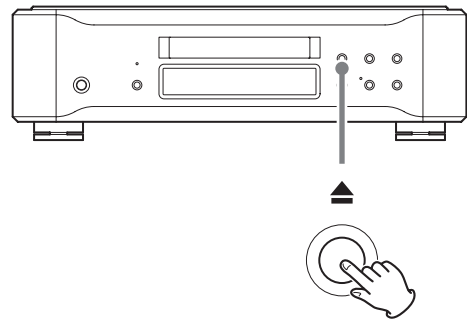


Press the POWER button to turn the unit on when off or off when on. When on, the power indicator and the display light.

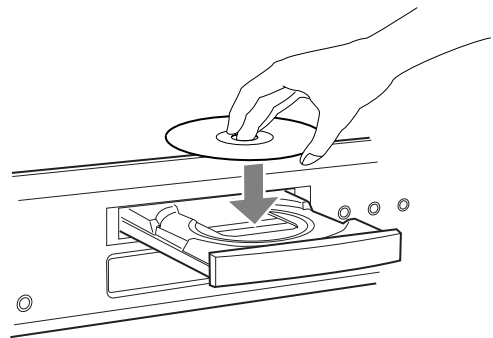
- When using this unit, turn on the D/A converter, amplifier and other devices that are connected to it. When doing this, turn the amplifier on last.

1 Press the tray open/close (▲) button.

The disc tray opens forward.



2 Place a disc centered on the tray with the labeled side up.



- If the tray is closed while a disc is outside the center guides, the disc might become stuck inside and the tray might not open. Be sure to always place discs within the guides at the center of the tray.

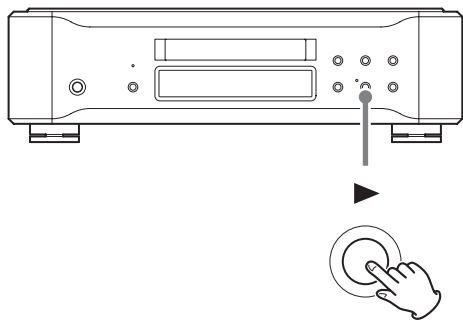
3 Press the tray open/close (▲) button.



The disc tray is drawn into the unit. Be careful not to let your fingers be pinched when the tray closes.

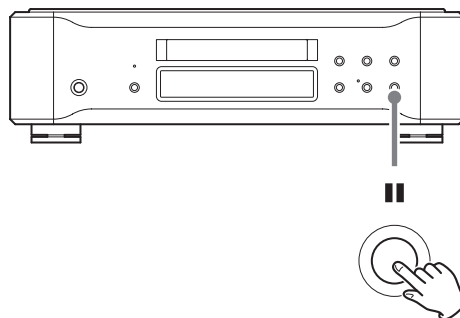
- The unit takes some time to load the disc.

4 Press the play (▶) button.



Playback starts.

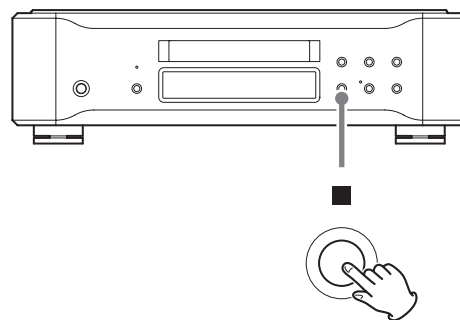
Pausing playback



During playback, press the pause (||) button to pause playback. When paused, the indicator next to the main unit play (▶) button blinks blue.

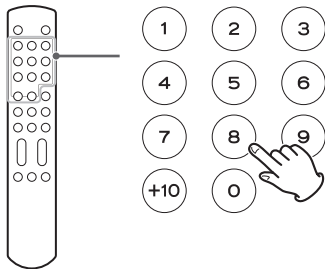
Press the play (▶) or pause (||) button to restart playback.

Stopping playback



Press the stop (■) button to stop playback.

Using the number buttons to select a track for playback



When playing or stopped, you can press number buttons to select a track and start playing it back.

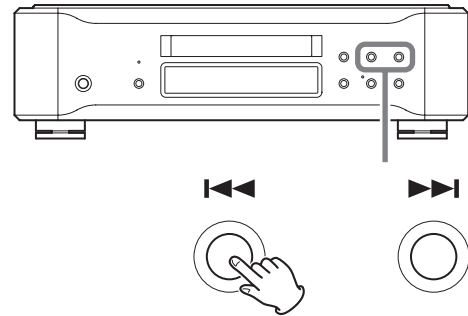
To play a track with a single-digit number, press that number button. To play a double-digit track number, press the +10 button as many times as necessary, and then press the corresponding number button for the second digit. After the track number is input, playback starts.

Examples:

Track 7:

Track 23:

Skipping tracks



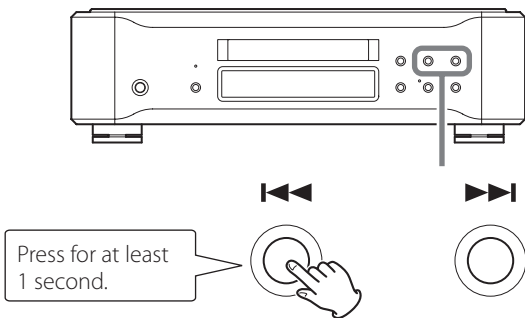
During playback, press a skip button (/) on the main unit or the remote control to skip to the previous or next track and start playback.

- Press the button once to return to the beginning of the current track. Press the button repeatedly to return to an earlier track.

If the playback position is less than one second from the beginning of the current track, however, pressing the button will skip to the beginning of the previous track.

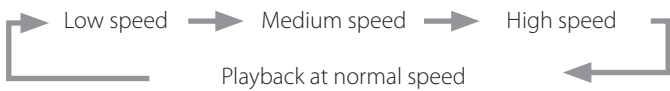
- When stopped or paused, use the / buttons to select a track and pause at its beginning.

Searching backward/forward

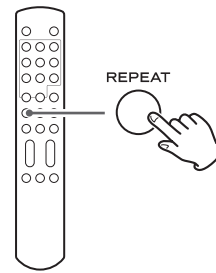


During playback, press and hold a skip (I◀◀/▶▶I) button on the main unit or the remote control (for more than one second) until searching backward/forward starts. When you find the point where you want to listen, press the play (▶) button on the main unit or the play/pause (▶/||) button on the remote control.

You can change the backward/forward search speed by pressing the skip (I◀◀/▶▶I) button for at least one second and then releasing it. The speed that the < or > blinks on the display also changes.



- Continuously holding the button down will not change the speed.



The repeat mode changes each time you press the REPEAT button during playback.



REPEAT TRK

The current track is played back repeatedly. During repeat playback, select a different track to repeat playback of that track.

REPEAT DSC

All tracks on the current disc are played back repeatedly.

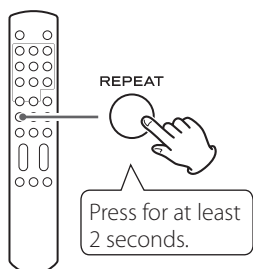
- During repeat playback, the repeat mode is shown.
- Stopping playback ends repeat playback mode.

Program playback

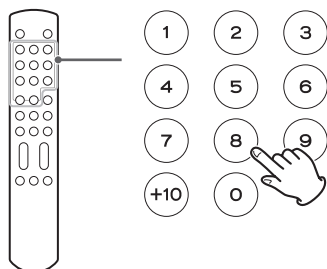
You can program up to 30 tracks in the order that you want to listen to them.

1 When stopped or during playback, press the REPEAT button for at least two seconds.

If you press this button during playback, the currently playing track will be added to the program as the first track.



2 Use number buttons to select tracks you want to program.

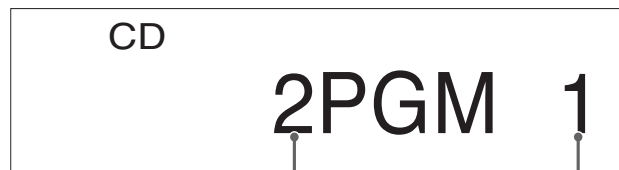


Examples:

Track 3: (3)

Track 12: (+10) ⇒ (2)

Track 20: (+10) ⇒ (+10) ⇒ (0)



Programmed track number

Program number

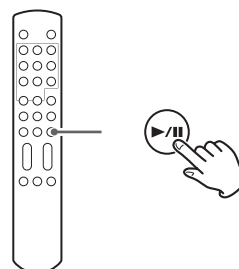
To program multiple tracks, continue pressing the number buttons.

- Track numbers that do not exist on the currently loaded disc cannot be added to the program.

3 When you are done adding tracks to the program, press the play/pause (▶/||) button.

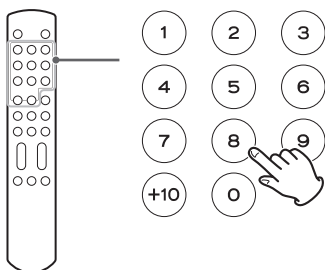
Program playback starts.

- If you created the program during playback, you do not need to press the play/pause (▶/||) button.



Adding tracks to the end of the program

When stopped or during playback, use the number buttons to select the track you want to add.

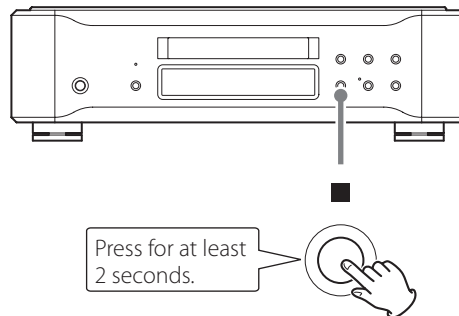
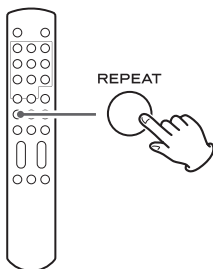


Clearing the entire program and resuming ordinary playback

When stopped or during playback, press the REPEAT button for at least two seconds to end program mode. Press the REPEAT button during program playback for at least two seconds to resume ordinary playback from that point.

- The contents of the program will be cleared.

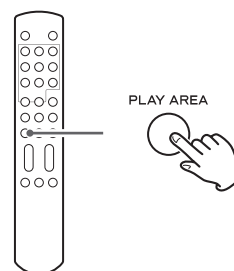
In addition, when stopped or during playback, if you press the tray open/close (▲) or main unit POWER button, the program contents will also be cleared.



Some Super Audio CDs have multiple areas, including stereo (2-channel) and multichannel. Hybrid Super Audio CDs have two layers with one containing ordinary CD-quality audio.

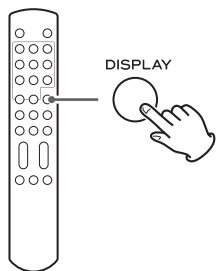
When stopped, press the stop (■) button for at least two seconds to change the playback area.

- To change the playback area using the remote control, press the PLAY AREA button when the unit is stopped.



- When an SACD multichannel area is selected, multichannel audio will be downmixed to stereo and played back.

Display

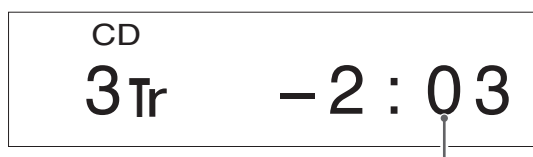


During disc playback and when paused, each time the DISPLAY button is pressed, the information shown on the display changes as follows.

Examples:



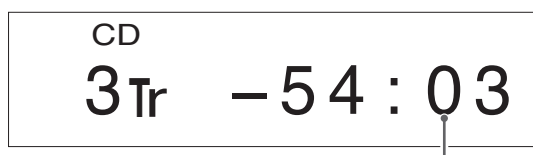
Currently playing track Elapsed time of current track



Remaining time of currently playing track



Disc elapsed time



Disc remaining time

- When stopped, the total number of tracks and total playback time of the disc are shown.

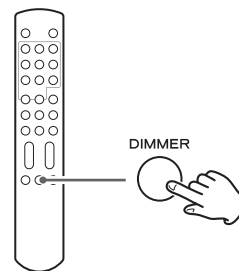
Example:



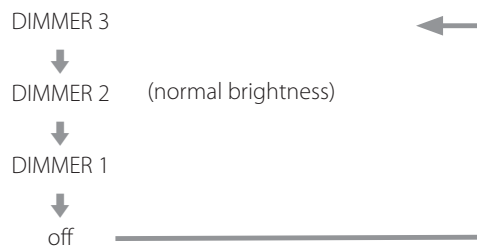
Total number of tracks

Total disc playback time

Dimmer

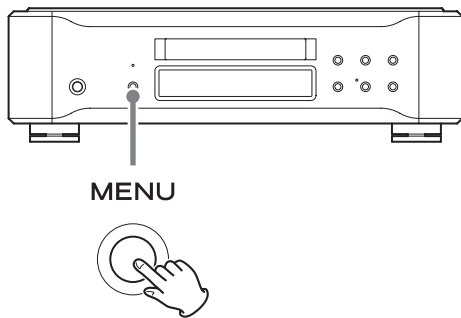


You can adjust the brightness of this unit's display and indicators.

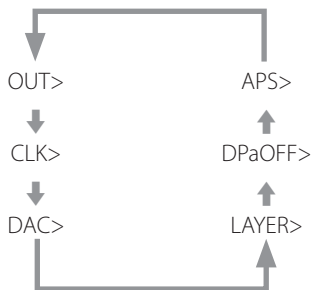


- When the dimmer is off, the display will be unlit.
- Even when the dimmer is off, the display will light at normal brightness for about three seconds when you press the play/pause (▶/⏸) button or another button.
- Even when set to DIMMER 1 or off, a brighter setting (DIMMER 2 or DIMMER 3) will be used when displaying error messages and setting menus.

- 1** Press the MENU button repeatedly to select the item to change.

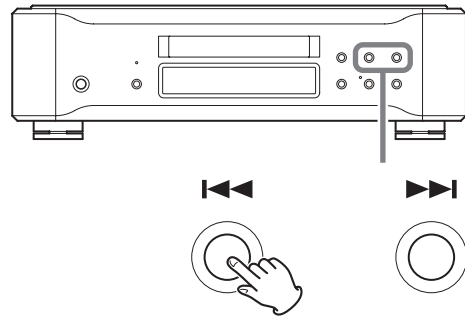


Each time you press the MENU button, the item shown on the display changes as follows.



- If you do nothing for 10 or more seconds, setting mode will end and ordinary display will resume.
- Press the stop (■) button to end setting mode.
- Settings can only be changed when the unit is stopped. If the unit is playing back, press the stop (■) button to stop it before conducting these operations.

- 2** Use the ◀◀/▶▶ buttons to change the settings.



For information about the settings, see pages 24–26.

If you do nothing for 10 or more seconds or press the stop (■) button once, setting mode will end and ordinary display will resume.

- You can also use the remote control skip (◀◀/▶▶) buttons for these operations.
- Settings are retained even if the power plug is disconnected.

Meanings of items shown in setting mode

OUT>***

Output connector/format setting
Set the output connector and the type of upconversion.

CLK>***

Clock mode setting

DAC>***

D/A converter setting
Set the type of connected D/A converter.

LAYER>***

Priority playback area setting
Set which layer to use first for playback when a hybrid disc that contains both Super Audio CD and CD layers is loaded.

DPaOFF>***

Automatic display darkening setting

APS>***

Automatic power saving setting

Output connector/format setting

OUT>***

Set the output connector and the type of upconversion.
By default, the setting is ESLINK.

ESLINK

The audio signal is output from the ES-LINK connector.
During CD playback, the signal is output after 8X upconversion in 48-bit format.

DUAL_8

Two XLR connectors are used to output left and right signals separately.
CD playback is output after 8X upconversion.

DUAL_4

Two XLR connectors are used to output left and right signals separately.
CD playback is output after 4X upconversion.

DUAL_2

Two XLR connectors are used to output left and right signals separately.
CD playback is output after 2X upconversion.

XLR_4

The stereo signal is output from one XLR connector.
CD playback is output after 4X upconversion.

XLR_2

The stereo signal is output from one XLR connector.
CD playback is output after 2X upconversion.

XLR_1

The stereo signal is output from one XLR connector.
Upconversion will not occur.

RCA_4

The stereo signal is output from one RCA connector.
CD playback is output after 4X upconversion. SACD audio cannot be output this way.

RCA_2

The stereo signal is output from one RCA connector.
CD playback is output after 2X upconversion. SACD audio cannot be output this way.

RCA_1

The stereo signal is output from one RCA connector.
Upconversion will not occur. SACD audio cannot be output this way.

Clock mode setting

CLK>***

By default, the setting is OFF.

OFF

The built-in crystal oscillator operates as the master clock.

IN

The built-in crystal oscillator is synchronized to an external clock.

MCK22M

A 22.5792MHz external signal is input and used as the master clock.

D/A converter setting

DAC>***

Set the type of connected D/A converter. Depending on the type set, SACD playback output might not be possible. This also sets the type of copyright protection encryption.

By default, the setting is ESL3.

ESL3

Use this setting when connected to an ESOTERIC Grandioso D1, D-02, D-02X or D-05X.

When ESLINK or DUAL connection is selected, CD playback is output using the unique ESOTERIC ESL3 48-bit format. SACD playback is output using the ESL2 format.

ESL2

Use this setting when connected to an ESOTERIC D-03, D-05, D-07 or D-07X.

During CD playback, the signal is output in 24-bit format. SACD playback is output using the ESL2 format.

ESL1

Use this setting when connected to an ESOTERIC D-01.

During CD playback, the signal is output in 24-bit format. SACD playback is output using the ESL1 format.

OTHER

Use this setting when connected to any D/A converter other than the ones above.

SACD DSD audio signals are not output.

Priority playback area setting

LAYER>***

Some Super Audio CDs are hybrid discs that have two layers with the second containing CD data.

Set which layer to read first when a hybrid disc is loaded.

By default, the setting is SACD.

SACD

The SACD layer is read first.

CD

The CD layer is read first.

Use this setting if you want to listen to the CD layer first or if the unit is connected to a D/A converter that does not support DSD.

Automatic display darkening setting

DPaOFF>***

You can set the display to darken automatically after a set amount of time has elapsed.

By default, the setting is ON.

ON

The display will automatically darken if the information shown on it does not change for 10 minutes.

OFF

The display will not automatically darken, but if nothing changes for 10 minutes, its brightness will be lowered to the level of DIMMER 1 to reduce long-term display fading.

- We recommend that you set the automatic display darkening function to ON. If the display is left showing the same thing for a long time, brightness irregularities and other problems could arise.

Automatic power saving setting

APS>***

- By default, the setting is 30m.

The unit will automatically turn off if no disc is loaded or playback remains stopped for the set amount of time.

30m

30 minutes

60m

60 minutes

90m

90 minutes

120m

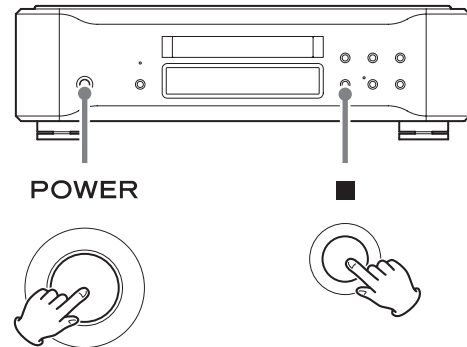
120 minutes

OFF

The automatic power saving function is disabled.

Settings are retained even if the power plug is disconnected.

Follow these procedures to restore all settings to their factory defaults and clear the unit's memory.



Press the POWER button while holding down the stop (■) button on the main unit.

If you experience a problem with the unit, please take a moment to review the following information before requesting service. Moreover, the problem might be caused by something other than this unit. Please also check the operation of the connected units. If this product still does not operate correctly, contact the retailer where you purchased it.

The unit does not turn on.

- ➔ Confirm that the power cord is securely connected to both the inlet on the back of this unit and a power outlet.
- ➔ Confirm that power is being supplied to the outlet to which the power cord is connected by, for example, connecting another device to it.

The unit automatically turns off.

- ➔ This is because the automatic power saving function turned it off. Press the POWER button on the main unit to turn it on. Change the automatic power saving setting if necessary (page 26).

Remote control does not work.

- ➔ Turn the main unit on (page 16).
- ➔ If the batteries are exhausted, replace both of them with new ones (page 15).
- ➔ The remote control will not work if there is an obstruction between it and the main unit. Point the remote control at the front panel of the unit from a distance of less than about 7 m (23 ft) (page 15).

Another electronic device is malfunctioning.

- ➔ Some electronic devices with wireless remote control functions might malfunction in response to the operation of this unit's remote control.

Playback is not possible.

- ➔ Load the disc in the center of the tray correctly.
- ➔ If the disc is upside down, reload it with the labeled side up.
- ➔ If the disc is dirty, wipe it clean (page 9).
- ➔ If condensation has occurred inside this unit, turn it on and leave it for 1–2 hours (page 28).

The unit does not respond when buttons are pressed.

- ➔ Multiple button presses without pause can cause the unit to stop responding. After pressing a button, wait momentarily for the unit to respond.

There is noise.

- ➔ Place the unit as far away as possible from TVs and other devices that have strong magnetism.

No sound is output from the speaker. The sound is distorted.

- ➔ Check the connections with the D/A converter, the amp and the speakers (page 10).
- ➔ Change the output connector/format setting according to the type of connector being used (page 24).
- ➔ Adjust the volume of the amplifier and other devices.
- ➔ If the disc is dirty, wipe it clean (page 9).
- ➔ No sound is output when playback is paused. Press the play (▶) button to resume ordinary playback.

The digital audio of a Super Audio CD cannot be output.

- ➔ In order to output the digital audio of a Super Audio CD, you must use an ESOTERIC D/A converter (Grandioso D1, D-02, D-05, D-03, D-01, D-02X, D-05X or D-07X).

Troubleshooting (continued)

The CLOCK indicator continues blinking and does not stay lit normally.

- ➔ If a clock signal is not being input, set the clock mode to OFF (page 25).
- ➔ A signal with which the unit cannot be synchronized might be being input. Check the connection of the CLOCK SYNC IN connectors and the settings of the connected device.

“CLOCK!” appears on the display.

- ➔ There is a problem with the clock setting or a connection. See “Clock mode setting” on page 25 about the clock setting and “Making connections” on page 10 about connections.

“TRAY!” appears on the display when the disc tray opens and closes.

- ➔ “TRAY!” appears on the display if something is blocking the front of the disc tray, the disc is not loaded properly or the tray stops during opening or closing. Press the tray OPEN/CLOSE (▲) button after removing the cause to return the tray to its original position.

This unit uses a microprocessor, so noise and other external interference could cause it to stop functioning properly. In such a case, turn the unit off and wait about one minute before restarting operation from the beginning.

Note about condensation

If this unit is brought from a cold outdoor environment into a warm room, or the heater has just been turned on in the room where it is located, for example, condensation might occur on operating parts or lenses, resulting in improper operation. If this occurs, leave the unit on and wait 1–2 hours. This should enable normal playback.

Playable disc types

Super Audio CD, CD, CD-R, CD-RW

Digital output

ES-LINK connectors..... 1 pair (L/R)

XLR connectors..... 1 pair (L/R)

- During Dual AES output, one connector each is used for the left and right channels (Lch and Rch).

RCA connector 1

Clock input

BNC connector 1

Input impedance 50 Ω

Frequencies that can be input 44.1 kHz, 88.2 kHz, 176.4 kHz
10 MHz, 22.5792 MHz (±10 ppm)

Input level

Rectangle wave equivalent to TTL levels

Sine wave 0.5 to 1.0 Vrms

General

Power supply

Model for Europe AC 220–240 V, 50/60 Hz

Model for USA/Canada AC 120 V, 60 Hz

Model for Korea AC 220 V, 60 Hz

Power consumption 16 W

External dimensions (W × H × D) (including protrusions)

445 × 131 × 359 mm (17 5/8" × 5 1/4" × 14 1/4")

Weight 13.5 kg (29 7/8 lb)

Operating temperature +5°C to +35°C

Operating humidity 5% to 85% (no condensation)

Storage temperature –20°C to +55°C

Included accessories

Power cord × 1

HDMI cable × 1

Remote control (RC-1301) × 1

Batteries for remote control (AAA) × 2

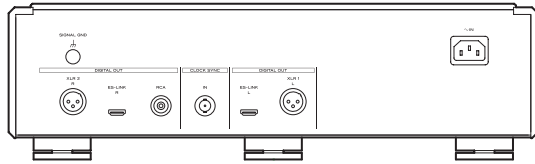
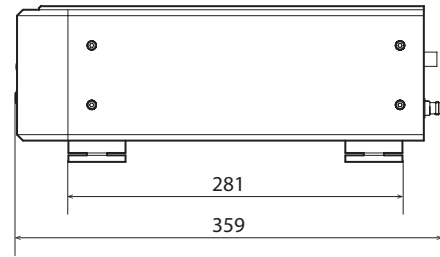
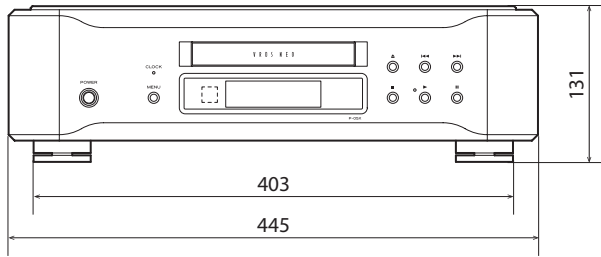
Felt pads × 3

Owner's manual (this document) × 1

Warranty card × 1


- Illustrations in this manual might differ slightly from production models.
- Weight and dimensions are approximate.
- Design and specifications are subject to change without notice.

Dimensional drawings



Dimensions in millimeters (mm)

INSTRUCTIONS DE SÉCURITÉ IMPORTANTES

	CAUTION RISK OF ELECTRIC SHOCK DO NOT OPEN	
ATTENTION : POUR RÉDUIRE LE RISQUE D'ÉLECTROCUTION, NE RETIREZ PAS LE CAPOT (OU L'ARRIÈRE). AUCUNE PIÈCE INTERNE N'EST RÉPARABLE PAR L'UTILISATEUR. CONFIEZ TOUTE RÉPARATION À UN SERVICE APRÈS-VENTE QUALIFIÉ.		



Le symbole d'éclair à tête de flèche dans un triangle équilatéral sert à prévenir l'utilisateur de la présence dans l'enceinte du produit d'une « tension dangereuse » non isolée d'une grandeur suffisante pour constituer un risque d'électrocution pour les personnes.



Le point d'exclamation dans un triangle équilatéral sert à prévenir l'utilisateur de la présence d'instructions importantes de fonctionnement et de maintenance (entretien) dans les documents accompagnant l'appareil.

AVERTISSEMENT : POUR PRÉVENIR LES RISQUES D'INCENDIE ET D'ÉLECTROCUTION, N'EXPOSEZ PAS CET APPAREIL À LA PLUIE NI À L'HUMIDITÉ.

ATTENTION

- NE RETIREZ PAS LES CAPOTS EXTERNES OU BOÎTIERS POUR EXPOSER L'ÉLECTRONIQUE. AUCUNE PIÈCE INTERNE N'EST RÉPARABLE PAR L'UTILISATEUR.
- SI VOUS RENCONTREZ DES PROBLÈMES AVEC CE PRODUIT, CONTACTEZ LE MAGASIN OÙ VOUS AVEZ ACHETÉ L'UNITÉ. N'UTILISEZ PAS LE PRODUIT TANT QU'IL N'A PAS ÉTÉ RÉPARÉ.
- L'UTILISATION DE COMMANDES, DE RÉGLAGES OU LE SUIVI DE PROCÉDURES AUTRES QUE CE QUI EST DÉCRIT DANS CE DOCUMENT PEUT PROVOQUER UNE EXPOSITION À UN RAYONNEMENT DANGEREUX.

AUX USA/CANADA, UTILISEZ UNIQUEMENT UNE TENSION D'ALIMENTATION DE 120 V.

Modèle pour le Canada

Déclaration de conformité d'Industrie Canada :
CET APPAREIL NUMÉRIQUE DE LA CLASSE B EST CONFORME À LA NORME NMB-003 DU CANADA

Modèle pour l'Europe



Ce produit est conforme aux directives européennes et aux autres réglementations de la Commission européenne.

ATTENTION

Les changements ou modifications non expressément approuvés par la partie responsable de la conformité peuvent invalider le droit de l'utilisateur à faire fonctionner l'équipement.

Informations sur le laser

Ce produit contient un système laser à semi-conducteur dans son boîtier et est répertorié comme « PRODUIT LASER DE CLASSE 1 ». Pour éviter d'être exposé au faisceau laser, n'essayez pas d'ouvrir le boîtier.

Laser :

Type :	SLD6163RL-G
Fabricant :	SONY CORPORATION
Puissance laser :	moins de 1 mW sur la lentille de l'objectif
Longueur d'onde :	785 ±15 nm (CD) 655 ±10 nm (Super Audio CD)

INSTRUCTIONS DE SÉCURITÉ IMPORTANTES (suite)

- 1) Lisez ces instructions.
 - 2) Conservez ces instructions.
 - 3) Tenez compte de tous les avertissements.
 - 4) Suivez toutes les instructions.
 - 5) N'utilisez pas cet appareil avec de l'eau à proximité.
 - 6) Ne nettoyez l'appareil qu'avec un chiffon sec.
 - 7) Ne bloquez aucune ouverture de ventilation. Installez-le conformément aux instructions du fabricant.
 - 8) N'installez pas l'appareil près de sources de chaleur telles que des radiateurs, bouches de chauffage, poêles ou autres appareils (y compris des amplificateurs) dégagant de la chaleur.
 - 9) Ne neutralisez pas la fonction de sécurité de la fiche polarisée ou de terre. Une fiche polarisée a deux broches, l'une plus large que l'autre. Une fiche de terre a deux broches identiques et une troisième broche pour la mise à la terre. La broche plus large ou la troisième broche servent à votre sécurité. Si la fiche fournie n'entre pas dans votre prise, consultez un électricien pour le remplacement de la prise obsolète.
 - 10) Évitez de marcher sur le cordon d'alimentation et de le pincer, en particulier au niveau des fiches, des prises secteur, et du point de sortie de l'appareil.
 - 11) N'utilisez que des fixations/accessoires spécifiés par le fabricant.
 - 12) Utilisez-le uniquement avec des chariots, socles, trépieds, supports ou tables spécifiés par le fabricant ou vendus avec l'appareil. Si un chariot est utilisé, faites attention à ne pas être blessé par un renversement lors du déplacement de l'ensemble chariot/appareil.
 - 13) Débranchez cet appareil en cas d'orage ou de non utilisation prolongée.
 - 14) Confiez toute réparation à des techniciens de maintenance qualifiés. Une réparation est nécessaire si l'appareil a été endommagé d'une quelconque façon, par exemple si le cordon ou la fiche d'alimentation est endommagé, si du liquide a été renversé sur l'appareil ou si des objets sont tombés dedans, si l'appareil a été exposé à la pluie ou à l'humidité, s'il ne fonctionne pas normalement, ou s'il est tombé.
- L'appareil tire un courant nominal de veille de la prise secteur quand son interrupteur POWER ou STANDBY/ON n'est pas en position ON.
 - La fiche secteur est utilisée comme dispositif de déconnexion et doit donc toujours rester disponible.
 - Des précautions doivent être prises en cas d'utilisation d'écouteurs ou d'un casque avec le produit car une pression sonore excessive (volume trop fort) dans les écouteurs ou dans le casque peut causer une perte auditive.



AVERTISSEMENT

Les produits ayant une construction de Classe **I** sont équipés d'un cordon d'alimentation avec une fiche de terre. Le cordon d'un tel produit doit être branché dans une prise secteur avec terre de sécurité.

ATTENTION

- N'exposez pas cet appareil aux gouttes ni aux éclaboussures.
- Ne placez pas d'objet rempli de liquide sur l'appareil, comme par exemple un vase.
- N'installez pas cet appareil dans un espace confiné comme une bibliothèque ou un meuble similaire.
- L'appareil doit être placé suffisamment près de la prise de courant pour que vous puissiez à tout moment attraper facilement la fiche du cordon d'alimentation.
- Si le produit utilise des piles/batteries (y compris un pack de batteries ou des piles installées), elles ne doivent pas être exposées au soleil, au feu ou à une chaleur excessive.
- **PRÉCAUTION** pour les produits qui utilisent des batteries remplaçables au lithium : remplacer une batterie par un modèle incorrect entraîne un risque d'explosion. Remplacez-les uniquement par un type identique ou équivalent.

⚠ Précautions concernant les piles

Un mauvais emploi des piles peut entraîner leur rupture ou leur fuite, avec pour conséquence un incendie, des blessures ou la salissure des objets proches. Veuillez lire et suivre attentivement les précautions suivantes.

- Veillez à insérer les piles avec leurs pôles positif (\oplus) et négatif (\ominus) correctement orientés.
- Utilisez des piles du même type. N'utilisez jamais des types de pile différents ensemble.
- Si la télécommande doit rester inutilisée durant une période prolongée (plus d'un mois), retirez ses piles pour éviter qu'elles ne coulent.
- Si les piles coulent, essuyez le liquide dans le compartiment des piles et remplacez les piles par des neuves.
- N'utilisez pas de piles d'un type autre que celui spécifié. Ne mélangez pas des piles neuves avec des anciennes et n'utilisez pas ensemble des types de pile différents.
- Ne chauffez pas et ne démontez pas les piles. Ne jetez jamais les piles dans un feu ou dans de l'eau.
- Ne conservez et ne transportez pas les piles avec d'autres objets métalliques. Les piles pourraient entrer en court-circuit, couler ou exploser.
- Ne rechargez jamais une batterie sans avoir vérifié qu'elle peut l'être.

Pour les consommateurs européens

Mise au rebut des équipements électriques et électroniques et des piles et/ou accumulateurs

- a) Tout équipement électrique/électronique et pile/accumulateur hors d'usage doit être traité séparément de la collecte municipale d'ordures ménagères dans des points de collecte désignés par le gouvernement ou les autorités locales.
- b) En vous débarrassant correctement des équipements électriques/électroniques et piles/accumulateurs hors d'usage, vous contribuerez à la sauvegarde de précieuses ressources et à la prévention de potentiels effets négatifs sur la santé humaine et l'environnement.
- c) Le traitement incorrect des équipements électriques/électroniques et piles/accumulateurs hors d'usage peut avoir des effets graves sur l'environnement et la santé humaine en raison de la présence de substances dangereuses dans les équipements.
- d) Le symbole de déchets d'équipements électriques et électroniques (DEEE), qui représente une poubelle à roulettes barrée d'une croix, indique que les équipements électriques/électroniques et piles/accumulateurs doivent être collectés et traités séparément des déchets ménagers.
- Si une pile ou un accumulateur contient plus que les valeurs de plomb (Pb), mercure (Hg) et/ou cadmium (Cd) spécifiées dans la directive sur les piles et accumulateurs (2006/66/CE), alors les symboles chimiques de ces éléments seront indiqués sous le symbole DEEE.
- e) Des systèmes de retour et de collecte sont disponibles pour l'utilisateur final. Pour des informations plus détaillées sur la mise au rebut des vieux équipements électriques/électroniques et piles/accumulateurs hors d'usage, veuillez contacter votre mairie, le service d'ordures ménagères ou le magasin dans lequel vous avez acquis l'équipement.



Pb, Hg, Cd

"DSD" is a registered trademark.

"Super Audio CD" is a registered trademark.

This product incorporates copy protection technology that is protected by U.S. patents and other intellectual property rights of Rovi Corporation. The use of Rovi Corporation's copy protection technology in the product must be authorized by Rovi Corporation. Reverse engineering and disassembly are prohibited.

MEXCEL is a registered trademark of Mitsubishi Cable Industries, Ltd. in Japan and other countries.

ESOTERIC is a trademark of TEAC CORPORATION, registered in the U.S. and other countries.

Les autres noms de société, noms de produit et logos présents dans ce document sont des marques commerciales ou déposées de leurs détenteurs respectifs.

Sommaire

Nous vous remercions d'avoir choisi ce produit ESOTERIC.

Lisez attentivement ce mode d'emploi pour tirer les meilleures performances de ce produit. Après l'avoir lu, gardez-le en lieu sûr avec la carte de garantie pour vous y référer ultérieurement.

INSTRUCTIONS DE SÉCURITÉ IMPORTANTES.....	31	Mode de réglage	51
Avant l'utilisation	35	Signification des messages affichés en mode de réglage.....	52
Contenu de l'emballage	35	Réglage de connecteur/format de sortie.....	52
Note sur les pieds de découplage	35	Réglage de mode d'horloge.....	53
Entretien	35	Réglage du convertisseur N/A	53
Précautions d'emploi	36	Réglage de la zone de lecture prioritaire	53
Notes sur les disques	36	Réglage d'assombrissement automatique de l'écran	53
Faire les branchements	38	Réglage d'économie automatique d'énergie	54
Nomenclature et fonctions des parties (unité principale).....	40	Rappel des réglages d'usine	54
Nomenclature et fonctions des parties (écran)	41	Guide de dépannage	55
Nomenclature et fonctions des parties (télécommande)	42	Caractéristiques techniques.....	57
Notes à propos de la télécommande.....	43	Schémas avec cotes	58
Fonctionnement de base	44		
Mise sous et hors tension de l'unité.....	44		
Lecture	44		
Mise en pause de la lecture.....	45		
Arrêt de la lecture	45		
Utilisation des touches numériques pour sélectionner la piste à lire	46		
Saut de pistes	46		
Recherche en arrière/avant	47		
Lecture en boucle	47		
REPEAT TRK.....	47		
REPEAT DSC.....	47		
Lecture de programme	48		
Ajout de pistes à la fin du programme	49		
Effacement de l'ensemble du programme et reprise de la lecture normale.....	49		
Changement de la zone de lecture	49		
Affichage (Display).....	50		
Atténuateur (Dimmer).....	50		

Contenu de l'emballage

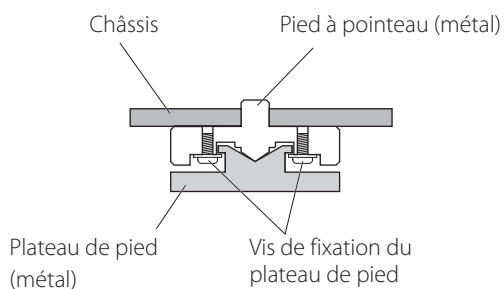
Vérifiez que vous disposez bien de tous les accessoires représentés ci-dessous. Veuillez contacter le magasin dans lequel vous avez acheté cette unité si l'un de ces accessoires manque ou a été endommagé durant le transport.

- Cordon d'alimentation × 1
- Câble HDMI × 1
- Télécommande (RC-1301) × 1
- Piles pour télécommande (AAA) × 2
- Patins en feutre × 3
- Mode d'emploi (ce document) × 1
- Carte de garantie × 1

Note sur les pieds de découplage

Des pieds à pointeau métallique de haute précision sont solidement fixés à la plaque inférieure de cette unité.

Leur plateau de protection n'est pas fixé de façon rigide, mais quand l'unité est posée à sa place, elle est soutenue par ces pieds à pointeau, qui dispersent efficacement les vibrations.



- Fixez les patins de feutre fournis sous les pieds de protection pour éviter de rayer la surface sur laquelle est placée l'unité.

Entretien

Utilisez un chiffon sec et doux pour nettoyer la surface de l'unité. Pour les taches tenaces, utilisez un chiffon humide soigneusement essoré afin d'éliminer l'excès d'humidité.

⚠ Par sécurité, débranchez la fiche d'alimentation de la prise secteur avant de nettoyer l'unité.

- Ne vaporisez jamais du liquide directement sur cette unité.
- N'utilisez pas de lingettes de nettoyage imbibées de produits chimiques, de diluant ou de substances similaires car cela pourrait endommager la surface de l'unité.
- Évitez un contact prolongé de l'unité avec des matériaux caoutchouteux ou plastiques car ceux-ci peuvent endommager le boîtier.

Précautions d'emploi

- L'unité est très lourde, aussi faites attention de ne pas vous blesser durant l'installation.
- N'installez pas cette unité dans un lieu qui pourrait chauffer. Cela comprend les endroits exposés directement au soleil ou près d'un radiateur, d'un chauffage, d'une cuisinière ou d'autres appareils chauffants. En outre, ne la placez pas au-dessus d'un amplificateur ou autre équipement dégageant de la chaleur. Cela pourrait causer une décoloration, une déformation ou un mauvais fonctionnement.
- Évitez les lieux extrêmement froids ou exposés aux vibrations, à une humidité ou poussière excessive.
- Afin de permettre une bonne dissipation de la chaleur, laissez au moins 20 cm entre cette unité et les murs et les autres équipements lors de l'installation. Si vous la placez dans un rack, prenez les précautions nécessaires pour éviter la surchauffe en laissant au moins 5 cm d'espace libre au-dessus de l'unité et au moins 10 cm derrière. Ne pas laisser ces espaces peut faire monter la température au risque d'entraîner un incendie.
- En cas d'installation dans un rack à porte vitrée, n'utilisez pas la touche d'ouverture/fermeture de tiroir (▲) de la télécommande pour ouvrir le tiroir de disque si la porte du rack est fermée. Si les mouvements du tiroir de disque sont contrariés, des dommages peuvent en résulter.
- Placez l'unité sur une surface stable près du système audio que vous allez utiliser avec elle.
- Ne posez rien sur l'unité.
- Ne soulevez pas et ne déplacez pas l'unité durant la lecture car le disque tourne à vitesse élevée. Cela pourrait endommager le disque.
- Retirez toujours tout disque chargé avant de déplacer cette unité ou de l'emballer pour par exemple l'installer à un autre endroit. Transporter cette unité avec un disque à l'intérieur peut causer des dommages.
- Fournissez à l'unité d'alimentation une tension électrique qui correspond à celle indiquée sur la face arrière. Si vous avez des doutes à ce sujet, consultez un électricien.
- N'ouvrez pas le boîtier de l'unité car cela pourrait endommager le circuit ou causer un choc électrique. Si un objet étranger pénètre dans l'unité, consultez votre revendeur.
- Quand vous débranchez la fiche d'alimentation d'une prise secteur, saisissez toujours directement la fiche. Ne tirez jamais sur le cordon.
- La forme du connecteur ES-LINK est identique à celle d'un connecteur HDMI, mais les signaux transmis sont à un format propre à ESOTERIC. Ne raccordez pas le connecteur ES-LINK au connecteur HDMI d'un appareil d'une autre marque. Les connecteurs ES-LINK et HDMI ne sont pas compatibles.

Notes sur les disques

Les logos suivants apparaissent sur les disques et les boîtiers de disque. Cette unité peut lire des disques portant ces logos sans l'aide d'un adaptateur.

Cette unité ne peut pas lire les disques qui n'ont pas ces logos.

Types de disque lisibles par cette unité et leurs logos



Si vous essayez de lire tout autre type de disque avec cette unité, des bruits forts risquant d'endommager les enceintes et d'altérer votre audition peuvent être produits. N'essayez jamais de lire un type de disque autre que ceux indiqués ci-dessus.

- Cette unité ne peut pas lire de DVD vidéo, DVD audio, CD vidéo, DVD-ROM et CD-ROM, par exemple.
- Cette unité peut être dans l'incapacité de lire correctement les disques doubles (Dual), les CD à dispositif anti-copie ou autres CD spéciaux qui ne se conforment pas à la norme CD Red Book. Le fonctionnement et la qualité sonore ne peuvent pas être garantis si des disques spéciaux sont utilisés dans cette unité. Si la lecture d'un disque spécial cause des problèmes, contactez le vendeur du disque.

CD-R/CR-RW

Cette unité peut lire les CD-R/CD-RW qui sont au format CD audio.

- Veillez à finaliser les disques créés au moyen d'enregistreurs de CD.

Selon la qualité du disque et les conditions de son enregistrement, la lecture peut ne pas être possible. Pour des détails, voir le mode d'emploi de l'appareil que vous utilisez.

Manipulation des disques

- Chargez les disques avec leur face imprimée vers le haut. (Les CD n'ont qu'une seule face lisible).
- Pour sortir un disque de son boîtier, commencez toujours par appuyer sur le centre du boîtier puis saisissez le disque par sa tranche.

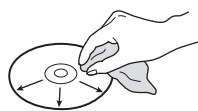
Sortie du boîtier



Maintien par le bord

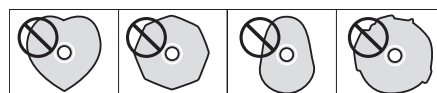


- Faites attention lors de la manipulation des disques. Si la face qui contient les données (face sans inscription) est rayée, salie par des empreintes digitales ou de façon générale sale ou tachée, des erreurs peuvent se produire durant la lecture.
- Si la face du disque où sont encodées les données (face sans inscription) est salie par des empreintes de doigt ou de la poussière, utilisez un chiffon doux pour essuyer la surface d'un mouvement allant du centre vers le bord extérieur. Nettoyez toujours les disques avant de les ranger. Ne pas nettoyer un disque sale risque de dégrader sa qualité sonore.



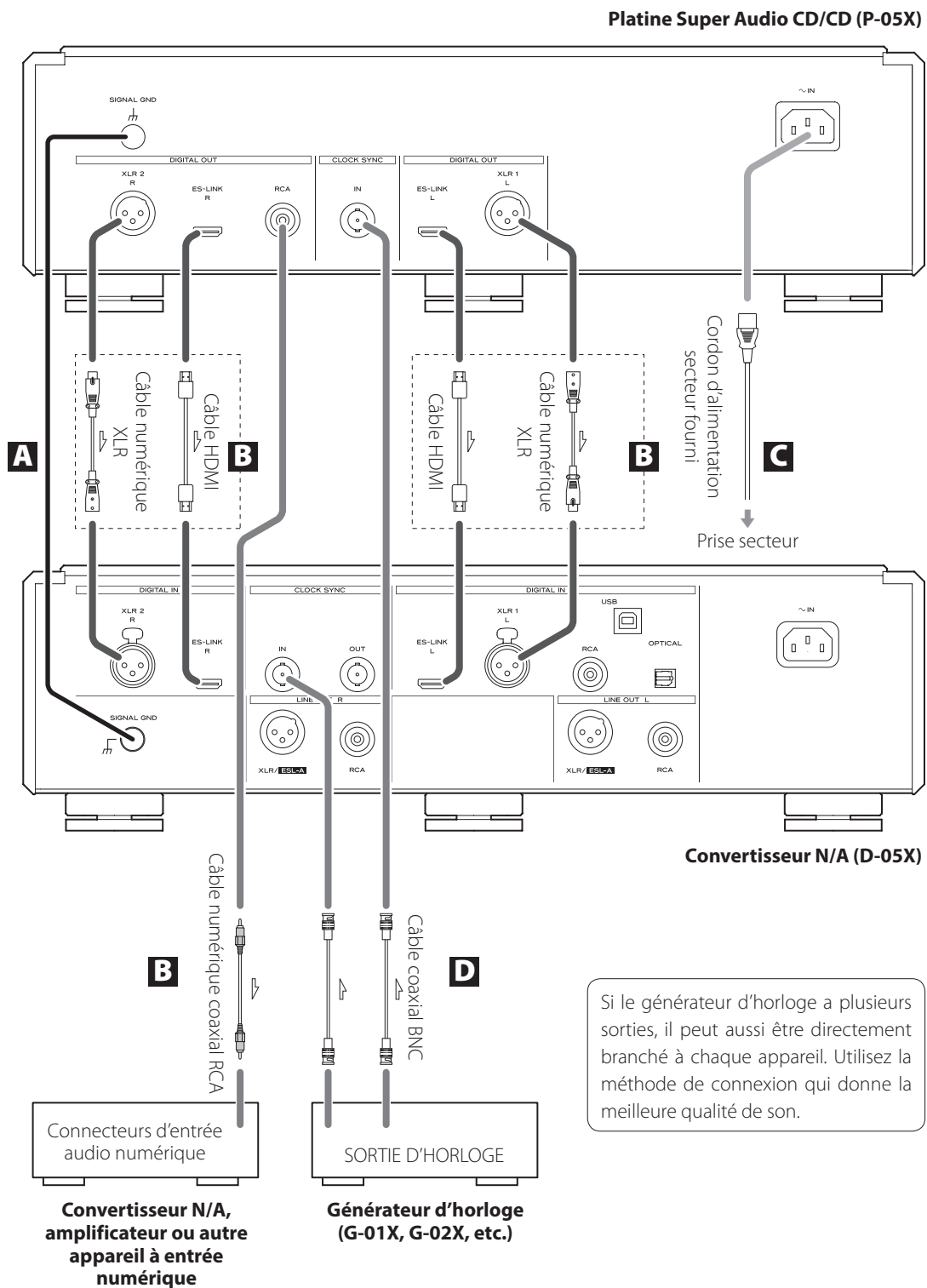
- N'employez jamais de nettoyants pour disque, traitements antistatiques, diluants ou produits chimiques similaires pour nettoyer les disques. De tels produits chimiques pourraient abîmer la surface du disque.
- Ne laissez pas les disques dans des lieux exposés directement à la lumière du soleil ou qui sont très humides ou très chauds.
- Pour écrire sur le côté inscriptible du disque, employez un marqueur permanent à pointe feutre. L'emploi d'un stylo à bille ou autre à pointe dure peut endommager le disque, le rendant illisible.
- Une fois que vous avez fini de lire un disque, remplacez-le toujours dans son boîtier pour le rangement. Ne pas le faire peut entraîner des déformations et des rayures.
- Ne posez pas d'étiquette ou d'autres matériaux sur les disques. N'utilisez pas de disque dont la surface conserve des résidus collants après par exemple le retrait d'un autocollant ou d'une étiquette. Si un tel disque est chargé, il peut se bloquer dans l'unité ou endommager celle-ci.

- N'utilisez jamais de stabilisateurs de CD du commerce. Cela pourrait rendre le disque illisible ou endommager l'unité.
- N'utilisez pas de disques fendus car ils pourraient endommager l'unité.
- N'employez jamais de disques ayant une forme irrégulière, dont des disques en forme de cœur ou octogonaux, car ils peuvent endommager l'unité.



- N'employez pas de disques imprimables, c'est-à-dire dont la face inscriptible peut être imprimée. Comme de tels disques ont une surface spécialement traitée, si on les charge, ils peuvent se coincer dans l'unité ou l'endommager.

Si vous avez des questions quant à la façon de manipuler un CD-R ou CD-RW, contactez directement son fabricant.



⚠ Précautions lors des branchements

- Après avoir terminé tous les autres branchements, insérez la fiche du cordon d'alimentation dans une prise secteur.
- Lisez les modes d'emploi de tous les appareils qui seront connectés et suivez leurs instructions.

A Borne de masse SIGNAL GND

Raccorder cette borne de mise à la masse à celle du convertisseur N/A, amplificateur ou autre appareil peut améliorer la qualité audio.

- Ce n'est pas un branchement de terre de sécurité électrique.

B Prises de sortie audio numérique (DIGITAL OUT)

Elles produisent le signal audio numérique. Reliez-les aux connecteurs d'entrée numérique d'un convertisseur N/A (tel qu'un D-05X).

ES-LINK : câble HDMI

- Utilisez les deux câbles HDMI fournis (un chacune) avec cette unité et un convertisseur N/A ESOTERIC. La forme du connecteur ES-LINK est identique à celle d'un connecteur HDMI, mais les signaux transmis sont à un format propre à ESOTERIC. Ne raccordez pas le connecteur ES-LINK au connecteur HDMI d'un appareil d'une autre marque. Les connecteurs ES-LINK et HDMI ne sont pas compatibles.
- Le câble HDMI fourni avec cette unité a un sens. Connectez l'extrémité du câble portant une marque blanche au convertisseur N/A.

Utilisez des câbles du commerce pour les connexions suivantes.

XLR : câble numérique XLR

RCA : câble numérique coaxial RCA

- Utilisez une paire de ces câbles pour relier l'unité au convertisseur D/A.

Modifiez les réglages de sortie en fonction des connecteurs utilisés (page 52).

- Nous recommandons d'utiliser l'ES-LINK pour le raccordement à un D-05X.
- Pour la connexion à un convertisseur N/A ESOTERIC (Grandioso D1/D-01/D-02/D-03/D-05/D-02X/D-05X/D-07X) ou à un convertisseur N/A prenant en charge le double AES (Dual AES), utilisez deux câbles et reliez la prise XLR 1 (L) de cette unité à la prise L du convertisseur N/A et la prise XLR 2 (R) de cette unité à la prise R du convertisseur D/A (double connexion AES).

C Prise d'entrée d'alimentation (~IN)

Branchez le cordon d'alimentation secteur fourni à cette prise. Après avoir terminé tous les autres branchements, insérez la fiche du cordon d'alimentation dans une prise secteur.



N'utilisez qu'un authentique cordon d'alimentation ESOTERIC. L'utilisation d'autres cordons d'alimentation peut entraîner un incendie ou un choc électrique.



Débranchez le cordon de la prise secteur en cas de non-utilisation prolongée de l'unité.

D Prise CLOCK SYNC IN

Sert à recevoir les signaux de synchronisation d'horloge.

Si vous utilisez un générateur d'horloge maître, raccordez sa sortie d'horloge à la prise CLOCK SYNC IN de cette unité.

Pour le branchement, utilisez un câble coaxial BNC du commerce.

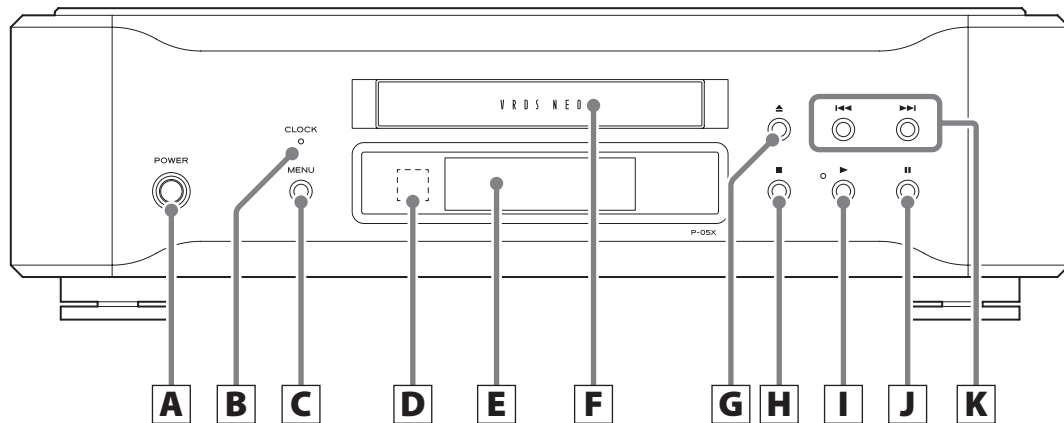
Utilisez un câble coaxial BNC d'une impédance de 50 Ω ou 75 Ω.

Chez ESOTERIC, nous utilisons des **câbles ESOTERIC MEXCEL sans contrainte** comme référence.

Pour des informations détaillées, visitez le site web suivant.

<http://www.esoteric.jp/products/esoteric/accessory/indexe.html>

Nomenclature et fonctions des parties (unité principale)



A Touche POWER

Appuyez pour mettre l'unité sous et hors tension.
Quand l'unité est sous tension, le pourtour de la touche est allumé en bleu.
Quand l'unité est hors tension, le pourtour de la touche est éteint.
Quand vous n'utilisez pas l'unité, éteignez-la.

B Voyant CLOCK

Indique le statut de synchronisation d'horloge.
Lorsque le paramètre de synchronisation d'horloge est réglé sur IN ou MCK22M, ce voyant commence à clignoter. Quand un signal d'horloge est détecté et que la synchronisation se fait, il cesse de clignoter et reste allumé fixement.

C Touche MENU

Sert à passer en mode de réglage (page 51).

D Capteur de signal de télécommande

Reçoit les signaux de la télécommande. Quand vous utilisez la télécommande, pointez son extrémité vers ce panneau de réception (page 43).

E Écran

Affiche la durée de lecture, le numéro de piste et d'autres informations (page 50).

F Tiroir de disque

Chargez ici le disque à lire (page 44).

G Touche d'ouverture/fermeture de tiroir (▲)

Appuyez pour ouvrir et fermer le tiroir de disque (page 44).

H Touche STOP (■)

Appuyez pour stopper la lecture (page 45).
À l'arrêt, maintenez pressée cette touche pendant au moins deux secondes pour changer de zone de lecture sur un Super Audio CD (page 49).
Appuyez sur cette touche en mode de réglage pour mettre fin à la modification des paramètres et revenir à l'affichage normal (page 51).

I Touche Lecture (▶)

Appuyez pour lancer la lecture du disque (page 44).
Durant la lecture, le voyant adjacent à cette touche s'allume.

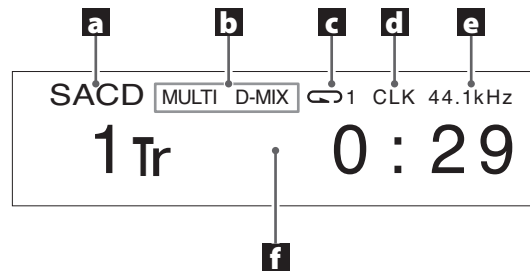
J Touche Pause (||)

Appuyez pour mettre la lecture en pause (page 45).
En pause, le voyant adjacent à la touche de lecture clignote.

K Touches de saut (◀◀/▶▶)

Servent à sauter à la piste précédente ou suivante (page 46).
Durant la lecture, maintenez-les pressées au moins une seconde pour une recherche en arrière/avant. Répétez la pression et le maintien durant plus d'une seconde pour changer la vitesse de recherche en arrière/avant parmi trois niveaux possibles (page 47).
Servent à changer les paramètres en mode de réglage (page 51).

Nomenclature et fonctions des parties (écran)



a Type de disque

Affiche le type du disque actuellement chargé.

SACD : Super Audio CD

CD : CD audio

b Information

Durant la lecture d'un Super Audio CD

Pas d'indicateur :

La zone à deux canaux d'un Super Audio CD est sélectionnée.

MULTI D-MIX :

Apparaît quand l'audio multicanal d'un Super Audio CD est réduit en stéréo avant sortie.

c Indicateur de lecture en boucle

Apparaît durant la lecture en boucle (page 47).

d Mode d'horloge

Indique le mode d'horloge (page 53).

Pas d'indicateur : CLK (horloge) réglée sur OFF

CLK : CLK (horloge) réglée sur IN

MCK : CLK (horloge) réglée sur MCK22M

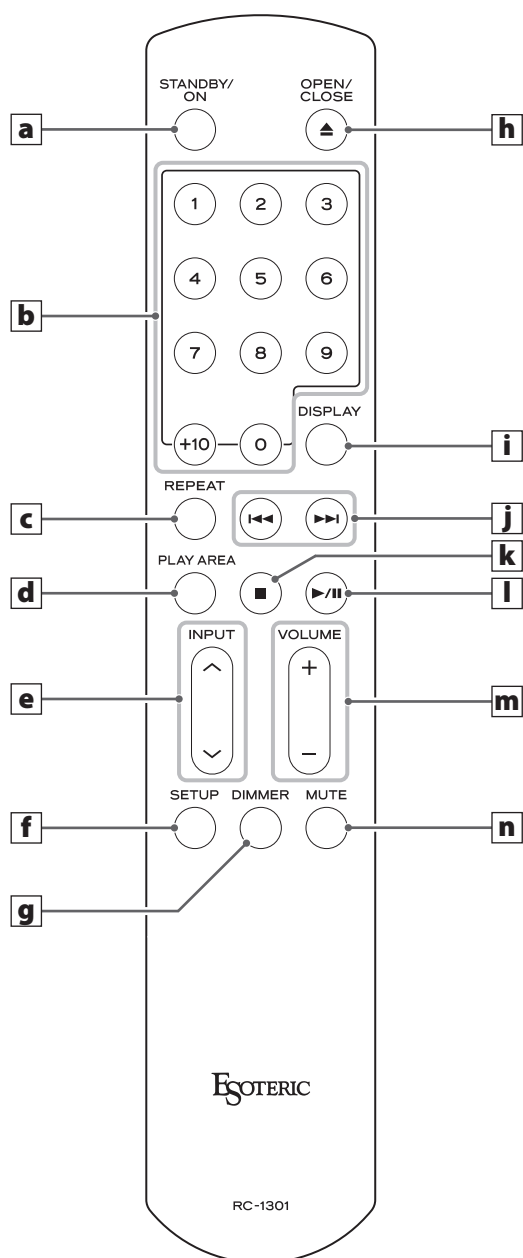
e Fréquence d'horloge d'entrée

La fréquence du signal de synchronisation (horloge) reçu par la prise CLOCK SYNC IN est affichée.

f Zone d'affichage de message

La durée de lecture et divers messages apparaissent ici.

Nomenclature et fonctions des parties (télécommande)



Quand l'unité principale et la télécommande ont toutes les deux des touches ayant les mêmes fonctions, les instructions de ce mode d'emploi ne se réfèrent qu'aux touches de l'unité principale, mais celles de la télécommande peuvent être utilisées de la même façon.

a Touche **STANDBY/ON**

Cette touche ne sert pas avec cette unité.

b Touches **numériques**

Servent à sélectionner les pistes.

c Touche **REPEAT**

Sert à la répétition ou lecture en boucle (page 47).

Maintenez-la pressée pour passer en mode programme (page 48).

d Touche **PLAY AREA**

À l'arrêt, appuyez sur cette touche pour changer la zone de lecture d'un Super Audio CD (page 49).

e Touches **INPUT (^/∨)**

Ces touches ne servent pas avec cette unité. Elles peuvent servir à changer d'entrée sur les convertisseurs N/A (dont le D-05X) et amplificateurs ESOTERIC.

f Touche **SETUP**

Cette touche ne sert pas avec cette unité. Elle peut servir avec les convertisseurs N/A (dont le D-05X), les amplificateurs et autres produits ESOTERIC.

g Touche **DIMMER**

Sert à régler la luminosité de l'écran de l'unité principale (page 50).

h Touche **OPEN/CLOSE (▲)**

Appuyez pour ouvrir et fermer le tiroir de disque (page 44).

i Touche **DISPLAY**

Durant la lecture, appuyez sur cette touche pour changer ce qui est affiché (page 50).

j Touches de **saut (◀◀/▶▶)**

Appuyez sur ces touches pour sauter à la piste précédente ou suivante.

Durant la lecture, maintenez-les pressées au moins une seconde pour une recherche en arrière/avant. Répétez la pression et le maintien durant plus d'une seconde pour changer la vitesse de recherche en arrière/avant parmi trois niveaux possibles (page 47). Servent à changer les paramètres en mode de réglage (page 51).

k Touche STOP (■)

Appuyez pour stopper la lecture (page 45).

l Touche Lecture/Pause (▶/||)

Appuyez à l'arrêt ou en pause pour lancer la lecture.
Appuyez durant la lecture pour la mettre en pause (page 45).

m Touches VOLUME (+/-)

Ces touches ne servent pas avec cette unité. Elles peuvent servir avec les convertisseurs N/A (dont le D-05X), les amplificateurs et autres produits ESOTERIC.

n Touche MUTE

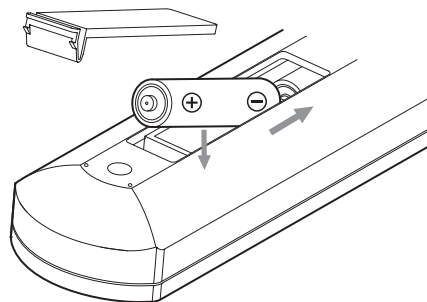
Cette touche ne sert pas avec cette unité. Elle peut être utilisée pour couper le son des convertisseurs N/A (dont le D-05X) et amplificateurs ESOTERIC.

Précautions pour l'utilisation de la télécommande

- Pour utiliser la télécommande, pointez-la vers le capteur de télécommande de l'unité principale dans un rayon maximal de 7 m. Ne placez pas d'obstacles entre l'unité principale et la télécommande.
- La télécommande peut ne pas fonctionner si le capteur de signal de télécommande est exposé à la lumière du soleil ou à une forte source lumineuse.
- Sachez que l'emploi de cette télécommande peut entraîner le déclenchement involontaire d'opérations sur d'autres appareils contrôlables par rayons infrarouges.

Installation des piles

Ouvrez l'arrière de la télécommande et insérez deux piles AAA avec leurs pôles ⊕/⊖ orientés comme indiqué dans le boîtier. Remplacez le couvercle.



Quand faut-il remplacer les piles ?

Si la portée d'action de la télécommande diminue ou si l'unité principale cesse de répondre aux touches de la télécommande, remplacez les deux piles par des neuves.

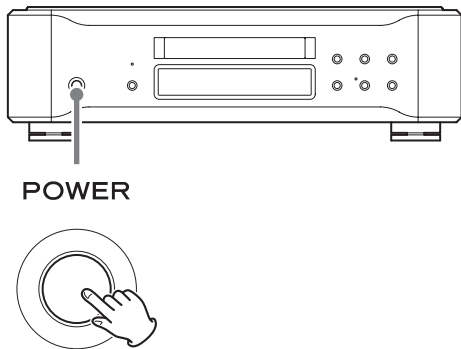
Jetez les piles usagées conformément à leurs instructions ou aux directives établies par votre municipalité.

! ATTENTION

Un mauvais emploi des piles peut entraîner leur rupture ou leur fuite, avec pour conséquence un incendie, des blessures ou la salissure des objets proches.

Veillez attentivement lire et respecter les précautions en page 32.

Mise sous et hors tension de l'unité

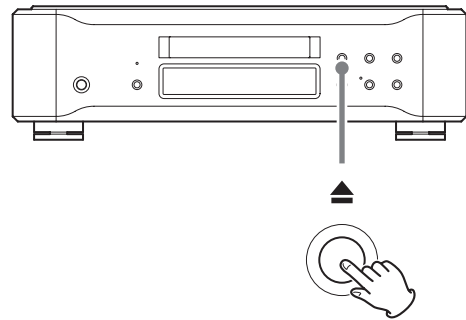


Appuyez sur la touche POWER pour allumer l'unité quand elle est éteinte et l'éteindre quand elle est allumée. Quand elle est sous tension, le voyant d'alimentation et l'écran s'allument.

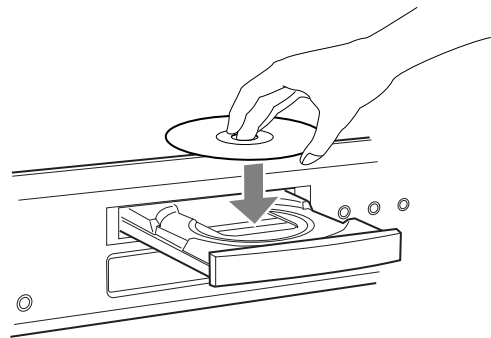
- Lorsque vous utilisez cette unité, allumez le convertisseur N/A, l'amplificateur et les autres appareils qui lui sont branchés. Quand vous faites cela, allumez l'ampli en dernier.

1 Appuyez sur la touche d'ouverture/fermeture de tiroir (▲).

Le tiroir de disque s'ouvre.



2 Placez un disque au centre du tiroir avec sa face sérigraphiée vers le haut.



- Si le tiroir est refermé alors qu'un disque est en dehors des guides de centrage, le disque peut être coincé à l'intérieur et le tiroir risque de ne plus s'ouvrir. Veillez à toujours placer les disques dans les guides au centre du tiroir.

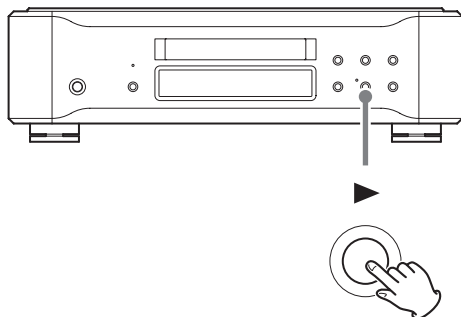
3 Appuyez sur la touche d'ouverture/fermeture de tiroir (▲).



Le tiroir du disque rentre dans l'unité. Veillez bien à ne pas vous coincer les doigts quand le tiroir se ferme.

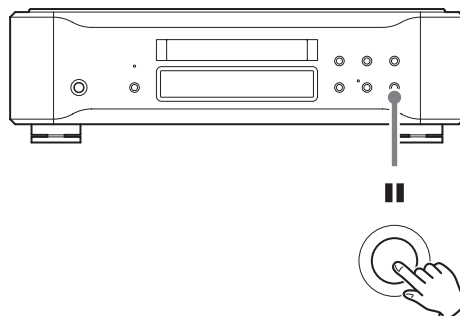
- Il faut un certain temps à l'unité pour charger le disque.

4 Appuyez sur la touche Lecture (▶).



La lecture démarre.

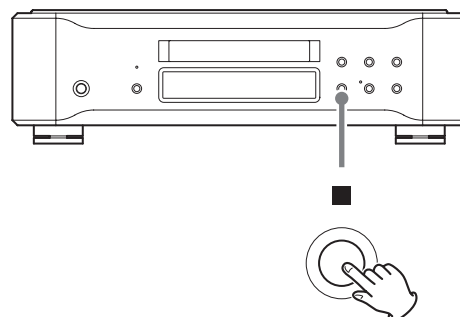
Mise en pause de la lecture



Durant la lecture, appuyez sur la touche Pause (||) pour mettre la lecture en pause. En pause, le voyant adjacent à la touche de lecture de l'unité principale (▶) clignote en bleu.

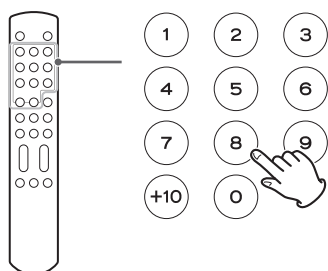
Appuyez sur la touche Lecture (▶) ou Pause (||) pour relancer la lecture.

Arrêt de la lecture



Appuyez sur la touche Stop (■) pour arrêter la lecture.

Utilisation des touches numériques pour sélectionner la piste à lire



En lecture ou à l'arrêt, vous pouvez appuyer sur les touches numériques pour sélectionner une piste et lancer sa lecture.

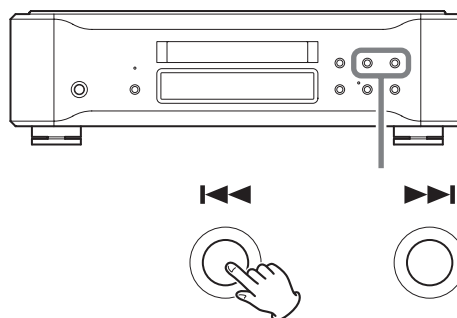
Pour lire une piste ayant un numéro à un seul chiffre, appuyez sur la touche numérique correspondante. Pour lire une piste ayant un numéro à deux chiffres, appuyez autant de fois que nécessaire sur la touche +10 pour obtenir le chiffre des dizaines puis appuyez sur la touche numérique correspondant au deuxième chiffre. Une fois le numéro de piste saisi, la lecture démarre.

Exemples :

Piste 7 :

Piste 23 : ⇒ ⇒

Saut de pistes



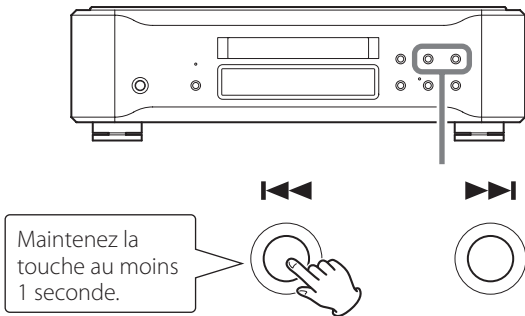
Durant la lecture, appuyez sur une touche de saut (/) sur l'unité principale ou sur la télécommande pour sauter à la piste précédente ou suivante et lancer la lecture.

- Appuyez une fois sur la touche pour revenir au début de la piste actuelle. Appuyez plusieurs fois sur la touche pour retourner à une piste antérieure.

Si la tête de lecture est à moins d'une seconde du début de la piste actuelle, appuyer sur la touche fera par contre sauter au début de la piste précédente.

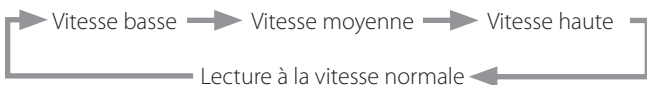
- À l'arrêt ou en pause, utilisez les touches / pour sélectionner une piste et vous mettre en pause à son début.

Recherche en arrière/avant

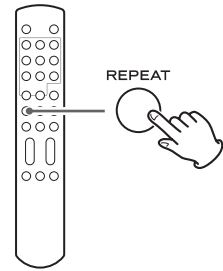


Durant la lecture, pressez et maintenez (durant plus d'une seconde) une touche de saut (I◀◀/▶▶I) sur l'unité principale ou la télécommande jusqu'à ce que la recherche arrière/avant commence. Quand vous avez trouvé le passage que vous voulez écouter, appuyez sur la touche Lecture (▶) de l'unité principale ou sur la touche Lecture/Pause (▶/II) de la télécommande.

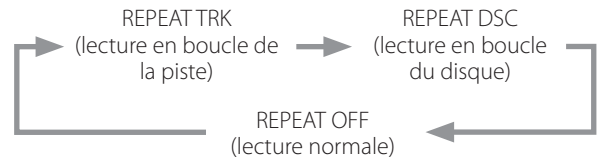
Vous pouvez changer la vitesse de recherche arrière/avant en maintenant pressée la touche de saut (I◀◀/▶▶I) au moins une seconde puis en la relâchant. La vitesse de clignotement du < ou du > à l'écran change aussi.



- Maintenir la touche continuellement pressée ne change pas la vitesse.



Le mode de lecture en boucle change chaque fois que vous appuyez sur la touche REPEAT pendant la lecture.



REPEAT TRK

La piste actuelle est lue en boucle. Pendant la lecture en boucle, sélectionnez une autre piste pour lire celle-ci en boucle.

REPEAT DSC

Toutes les pistes du disque actuel sont lues en boucle.

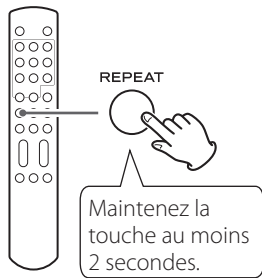
- Durant la lecture en boucle, le mode de répétition est affiché.
- L'arrêt de la lecture met au fin au mode de lecture en boucle.

Lecture de programme

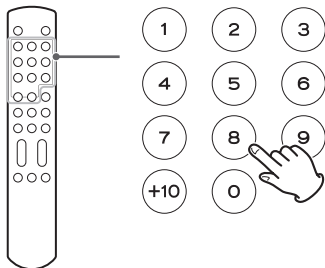
Vous pouvez programmer jusqu'à 30 pistes dans l'ordre dans lequel vous voulez les écouter.

1 À l'arrêt ou en lecture, maintenez la touche REPEAT pressée au moins 2 secondes.

Si vous appuyez sur cette touche durant la lecture, la piste actuellement lue sera ajoutée au programme comme première piste.



2 Utilisez les touches numériques pour sélectionner les pistes que vous souhaitez programmer.



Exemples :

Piste 3 : 3

Piste 12 : +10 ⇒ 2

Piste 20 : +10 ⇒ +10 ⇒ 0



Numéro de piste programmé

Position dans le programme

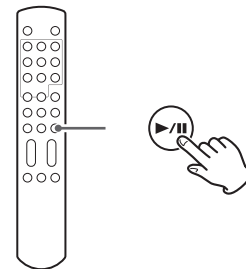
Pour programmer d'autres pistes, continuez d'appuyer sur les touches numériques.

- Les numéros de piste qui n'existent pas dans le disque actuellement chargé ne peuvent pas être ajoutés au programme.

3 Quand vous avez fini d'ajouter des pistes au programme, appuyez sur la touche Lecture/Pause (▶/||).

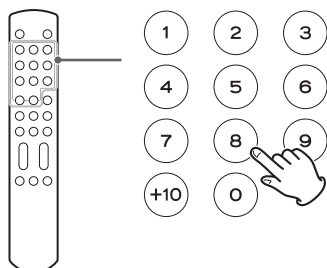
La lecture du programme démarre.

- Si vous avez créé le programme durant la lecture, vous n'avez pas à appuyer sur la touche Lecture/Pause (▶/||).



Ajout de pistes à la fin du programme

À l'arrêt ou en lecture, utilisez les touches numériques pour sélectionner la piste que vous voulez ajouter.

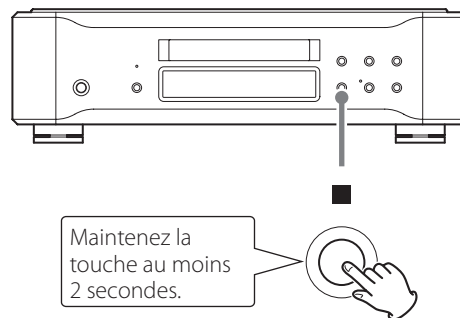
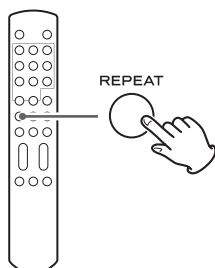


Effacement de l'ensemble du programme et reprise de la lecture normale

À l'arrêt ou en lecture, maintenez la touche REPEAT pressée au moins deux secondes pour quitter le mode programme. Maintenez la touche REPEAT pressée au moins deux secondes durant la lecture de programme pour reprendre la lecture normale à partir de là.

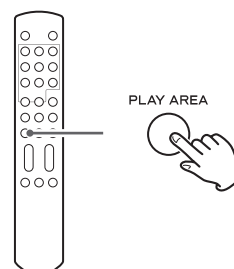
- Le contenu du programme sera effacé.

En outre, à l'arrêt ou en lecture, si vous appuyez sur la touche d'ouverture/fermeture du tiroir (▲) ou sur la touche d'alimentation POWER de l'unité principale, le contenu du programme est également effacé.



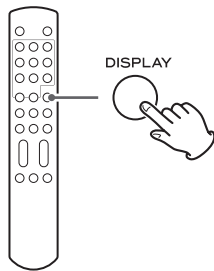
Certains Super Audio CD ont plusieurs zones, incluant l'audio stéréo (2 canaux) et l'audio multicanal. Les Super Audio CD hybrides ont deux couches dont une contient de l'audio de qualité CD normale. À l'arrêt, appuyez sur la touche Stop (■) pendant au moins deux secondes pour changer de zone de lecture.

- Pour changer la zone de lecture depuis la télécommande, appuyez sur la touche PLAY AREA alors que l'unité est à l'arrêt.



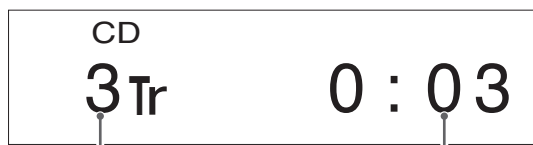
- Lorsque la zone multicanal d'un SACD est sélectionnée, l'audio multicanal subit un mixage de réduction en stéréo et est lu.

Affichage (Display)



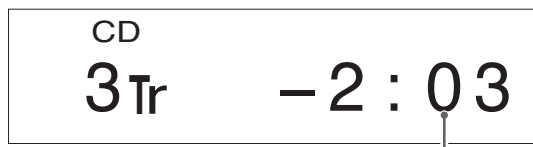
Durant la lecture du disque et en pause, chaque fois que l'on appuie sur la touche DISPLAY, les informations affichées à l'écran changent comme suit.

Exemples :



Piste lue

Temps écoulé sur la piste lue



Temps restant sur la piste lue



Temps écoulé sur le disque



Temps restant sur le disque

- À l'arrêt, le nombre total de pistes et la durée totale de lecture du disque sont affichés.

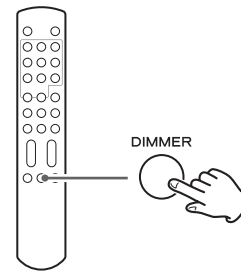
Exemple :



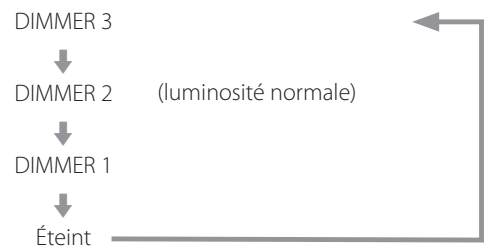
Nombre total de pistes

Durée totale de lecture du disque

Atténuateur (Dimmer)

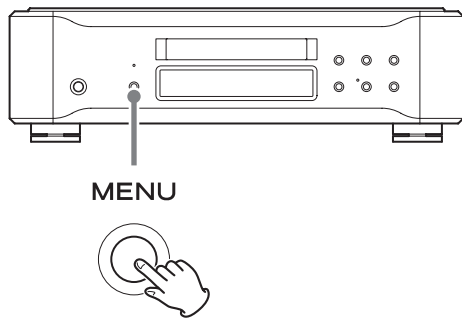


Vous pouvez régler la luminosité de l'écran et des voyants de cette unité.

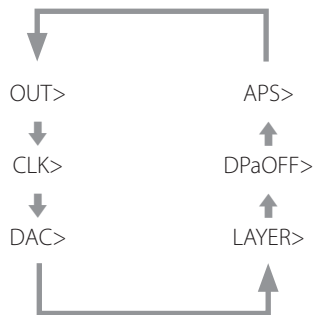


- Si l'atténuateur n'est pas réglé sur un niveau DIMMER, l'écran est éteint.
- Même si l'atténuateur n'est pas réglé sur un niveau DIMMER, l'écran s'allume avec une luminosité normale pendant environ 3 secondes quand vous appuyez sur la touche Lecture/Pause (▶/■) ou sur une autre touche.
- Même si l'atténuateur n'est pas réglé sur un niveau DIMMER ou alors sur DIMMER 1, une luminosité supérieure (DIMMER 2 ou DIMMER 3) sera employée pour afficher les messages d'erreur et les menus de réglage.

1 Appuyez plusieurs fois sur la touche MENU pour sélectionner le paramètre à changer.

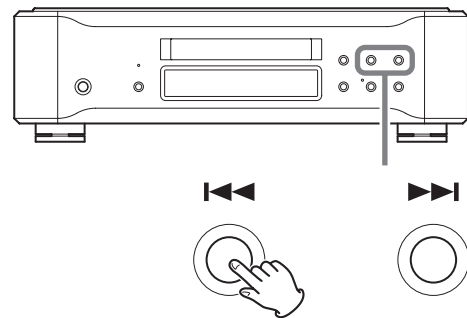


Chaque fois que vous appuyez sur la touche MENU, le paramètre affiché à l'écran change comme suit.



- Si vous ne faites rien durant au moins 10 secondes, le mode de réglage est abandonné et l'affichage normal revient.
- Appuyez sur la touche Stop (■) pour mettre fin au mode de réglage.
- Les réglages ne peuvent être modifiés que quand l'unité est à l'arrêt. Si l'unité est en lecture, appuyez sur la touche Stop (■) pour l'arrêter avant d'effectuer ces opérations.

2 Utilisez les touches ◀◀/▶▶ pour changer les réglages



Pour des informations sur les réglages, voir les pages 52–54.

Si vous ne faites rien pendant au moins 10 secondes ou si vous appuyez une fois sur la touche Stop (■), le mode de réglage est abandonné et l'affichage ordinaire revient.

- Vous pouvez également utiliser les touches de saut (◀◀/▶▶) de la télécommande pour ces opérations.
- Les réglages sont conservés même après déconnexion du cordon d'alimentation.

Signification des messages affichés en mode de réglage

OUT>***

Réglage de connecteur/format de sortie.
Détermine le connecteur de sortie et le type de conversion ascendante.

CLK>***

Réglage de mode d'horloge.

DAC>***

Réglage du convertisseur N/A.
Détermine le type de convertisseur N/A connecté.

LAYER>***

Réglage de la zone de lecture prioritaire.
Détermine quelle couche utiliser en premier pour la lecture quand un disque hybride contenant à la fois une couche Super Audio CD et une couche CD est chargé.

DPaOFF>***

Réglage d'assombrissement automatique de l'écran.

APS>***

Réglage d'économie automatique d'énergie.

Réglage de connecteur/format de sortie

OUT>***

Détermine le connecteur de sortie et le type de conversion ascendante. Par défaut, le réglage est ESLINK.

ESLINK

Un signal audio est produit par le connecteur ES-LINK.
Durant la lecture d'un CD, le signal est produit après conversion ascendante (8X) au format 48 bits.

DUAL_8

Deux connecteurs XLR sont utilisés pour produire séparément les signaux gauche et droit.
Le signal de lecture du CD est produit après conversion ascendante (8X).

DUAL_4

Deux connecteurs XLR sont utilisés pour produire séparément les signaux gauche et droit.
Le signal de lecture du CD est produit après conversion ascendante (4X).

DUAL_2

Deux connecteurs XLR sont utilisés pour produire séparément les signaux gauche et droit.
Le signal de lecture du CD est produit après conversion ascendante (2X).

XLR_4

Le signal stéréo sort par un connecteur XLR.
Le signal de lecture du CD est produit après conversion ascendante (4X).

XLR_2

Le signal stéréo sort par un connecteur XLR.
Le signal de lecture du CD est produit après conversion ascendante (2X).

XLR_1

Le signal stéréo sort par un connecteur XLR.
Pas de conversion ascendante.

RCA_4

Le signal stéréo sort par un connecteur RCA.
Le signal de lecture du CD est produit après conversion ascendante (4X). L'audio d'un SACD ne peut pas être produit de cette façon.

RCA_2

Le signal stéréo sort par un connecteur RCA.
Le signal de lecture du CD est produit après conversion ascendante (2X). L'audio d'un SACD ne peut pas être produit de cette façon.

RCA_1

Le signal stéréo sort par un connecteur RCA.
Pas de conversion ascendante. L'audio d'un SACD ne peut pas être produit de cette façon.

Réglage de mode d'horloge

CLK>***

Par défaut, le réglage est OFF.

OFF

L'oscillateur à cristal intégré sert d'horloge maître.

IN

L'oscillateur à cristal intégré est synchronisé sur une horloge externe.

MCK22M

Un signal externe à 22,5792 MHz entre et sert d'horloge maître.

Réglage du convertisseur N/A

DAC>***

Détermine le type de convertisseur N/A connecté. Selon le type choisi, la sortie de lecture d'un SACD peut ne pas être possible. Cela règle également le type de cryptage de protection de copyright. Par défaut, le réglage est ESL3.

ESL3

Utilisez ce réglage pour une connexion à un Grandioso D1, D-02, D-02X ou D-05X ESOTERIC.

Quand la connexion ESLINK ou DUAL est sélectionnée, le signal de lecture du CD est produit au format ESL3 48 bits propre à ESOTERIC. Le signal de lecture d'un SACD est produit au format ESL2.

ESL2

Utilisez ce réglage en cas de connexion à un D-03, D-05, D-07 ou D-07X ESOTERIC.

Durant la lecture de CD, le signal est produit au format 24 bits. Le signal de lecture d'un SACD est produit au format ESL2.

ESL1

Utilisez ce réglage pour une connexion à un D-01 ESOTERIC.

Durant la lecture de CD, le signal est produit au format 24 bits. Le signal de lecture d'un SACD est produit au format ESL1.

OTHER

Utilisez ce réglage pour une connexion à n'importe quel convertisseur N/A autre que ceux ci-dessus.

Les signaux audio DSD du SACD ne sont pas produits.

Réglage de la zone de lecture prioritaire

LAYER>***

Certains Super Audio CD sont des disques hybrides ayant deux couches, la seconde contenant des données de CD.

Ce paramètre détermine la couche lue en premier quand un disque hybride est chargé.

Par défaut, le réglage est SACD.

SACD

La couche SACD est lue en premier.

CD

La couche CD est lue en premier.

Utilisez ce paramètre si vous voulez d'abord écouter la couche CD ou si l'unité est connectée à un convertisseur N/A qui ne prend pas en charge le DSD.

Réglage d'assombrissement automatique de l'écran

DPaOFF>***

Vous pouvez régler l'écran pour qu'il s'assombrisse automatiquement après écoulement d'un laps de temps défini.

Par défaut, le réglage est ON.

ON

L'écran s'obscurcit automatiquement si l'information qui y est affichée reste inchangée durant 10 minutes.

OFF

L'affichage ne s'assombrit pas automatiquement, mais si rien ne change durant 10 minutes, sa luminosité est ramenée au niveau DIMMER 1 pour réduire l'usure à long terme de l'affichage.

- Nous vous recommandons de régler la fonction d'assombrissement automatique de l'écran sur ON. Si l'écran reste allumé longtemps sur les mêmes indications, des irrégularités de luminosité et d'autres problèmes peuvent survenir.

Réglage d'économie automatique d'énergie

APS>***

- Par défaut, le réglage est 30m.

L'unité s'éteint automatiquement si aucun disque n'est chargé ou si la lecture reste à l'arrêt durant la période de temps définie ici.

30m

30 minutes

60m

60 minutes

90m

90 minutes

120m

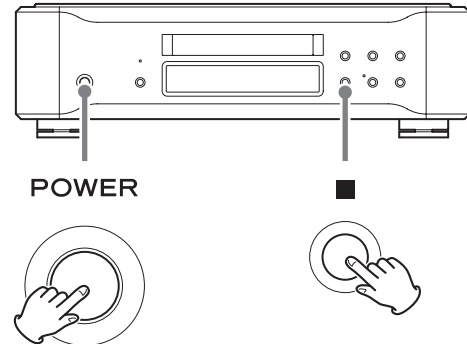
120 minutes

OFF

La fonction d'économie automatique d'énergie est désactivée.

Les réglages sont conservés même après déconnexion du cordon d'alimentation.

Suivez ces procédures pour restaurer toutes les valeurs d'usine par défaut des paramètres et effacer la mémoire de l'unité.



Appuyez sur la touche POWER tout en maintenant la touche Stop (■) pressée sur l'unité principale.

Si vous rencontrez un problème avec l'unité, veuillez prendre un moment pour lire les informations suivantes avant de solliciter une réparation. Par ailleurs, cette unité n'est peut-être pas la cause du problème. Veuillez aussi vérifier le fonctionnement des unités connectées. Si ce produit ne fonctionne toujours pas correctement, contactez le revendeur chez qui vous l'avez acheté.

L'unité ne s'allume pas.

- ➔ Vérifiez que le cordon d'alimentation est bien connecté à la fois à la prise située à l'arrière de cette unité et à une prise de courant.
- ➔ Vérifiez que la prise à laquelle est branché le cordon d'alimentation reçoit bien du courant, par exemple en y branchant un autre appareil.

L'unité s'éteint automatiquement.

- ➔ C'est la fonction d'économie automatique d'énergie qui a entraîné son extinction. Appuyez sur la touche POWER de l'unité principale pour l'allumer. Changez si nécessaire le réglage de la fonction d'économie automatique d'énergie (page 54).

La télécommande ne fonctionne pas.

- ➔ Mettez l'unité principale sous tension (page 44).
- ➔ Si les piles sont déchargées, remplacez les deux par des neuves (page 43).
- ➔ La télécommande ne fonctionnera pas s'il y a un obstacle entre elle et l'unité principale. Pointez la télécommande vers la face avant de l'unité à une distance de moins de 7 m environ (page 43).

Un autre appareil électronique fonctionne mal.

- ➔ Certains appareils électroniques à fonction de télécommande sans fil peuvent mal fonctionner suite à l'utilisation de la télécommande de cette unité.

La lecture n'est pas possible.

- ➔ Chargez correctement le disque au centre du tiroir.
- ➔ Si le disque est à l'envers, rechargez-le avec sa face sérigraphiée vers le haut.
- ➔ Si le disque est sale, nettoyez-le (page 37).
- ➔ Si de la condensation s'est formée dans l'unité, allumez celle-ci et laissez-la allumée durant 1–2 heures (page 56).

L'unité ne répond pas quand on appuie sur les touches.

- ➔ Plusieurs pressions de touche sans interruption peuvent entraîner l'arrêt de la réponse de l'unité. Après avoir appuyé sur une touche, attendez que l'unité réponde.

Il y a du bruit.

- ➔ Éloignez autant que possible l'unité des téléviseurs et autres appareils à fort champ magnétique.

Aucun son ne sort des enceintes. Le son souffre de distorsion.

- ➔ Vérifiez les connexions avec le convertisseur N/A, l'ampli et les enceintes (page 38).
- ➔ Changez le réglage de connecteur/format de sortie en fonction du type de connecteur utilisé (page 52).
- ➔ Réglez le volume de l'amplificateur et des autres appareils.
- ➔ Si le disque est sale, nettoyez-le (page 37).
- ➔ Aucun son ne sort quand la lecture est en pause. Appuyez sur la touche Lecture (▶) pour relancer la lecture ordinaire.

L'audio numérique d'un Super Audio CD ne peut pas être produit.

- ➔ Pour produire l'audio numérique d'un Super Audio CD, vous devez utiliser un convertisseur N/A ESOTERIC (Grandioso D1, D-02, D-05, D-03, D-01, D-02X, D-05X ou D-07X).

L'indicateur CLOCK continue de clignoter et ne reste pas allumé de façon fixe et normale.

- ➔ Si aucun signal d'horloge n'est reçu, réglez le mode d'horloge sur OFF (page 53).
- ➔ Un signal d'horloge avec lequel l'unité ne peut pas être synchronisée est peut-être reçu. Vérifiez la connexion de la prise CLOCK SYNC IN et les réglages de l'appareil connecté.

« CLOCK! » apparaît à l'écran.

- ➔ Il y a un problème avec le réglage d'horloge ou une connexion. Voir « Réglage de mode d'horloge » en page 53 à propos du réglage de l'horloge et « Faire les branchements » en page 38 à propos des connexions.

« TRAY! » apparaît à l'écran quand le tiroir de disque s'ouvre et se ferme.

- ➔ « TRAY! » apparaît à l'écran si quelque chose bloque l'avant du tiroir de disque, si le disque n'est pas correctement chargé ou si le tiroir s'arrête en cours d'ouverture ou de fermeture. Appuyez sur la touche d'ouverture/fermeture (▲) de tiroir après avoir supprimé la cause du problème pour ramener le tiroir à sa position d'origine.

Cette unité utilise un microprocesseur, donc des parasites ou autres interférences externes peuvent interrompre son bon fonctionnement. Dans un tel cas, éteignez l'unité et patientez environ une minute avant de reprendre le fonctionnement depuis le début.

Note concernant la condensation

Si on fait passer cette unité d'un environnement extérieur froid à une pièce chauffée, ou si par exemple le chauffage vient d'être allumé dans la pièce où elle se trouve, de la condensation peut se produire sur les pièces de fonctionnement ou les lentilles, entraînant un fonctionnement incorrect. Si cela se produit, laissez l'unité allumée et attendez 1–2 heures. Cela devrait permettre un retour de la lecture à la normale.

Types de disque lisibles

Super Audio CD, CD, CD-R, CD-RW

Sortie numérique

Connecteurs ES-LINK	1 paire (L/R)
Connecteurs XLR	1 paire (L/R)
● En sortie AES double (Dual), un connecteur est utilisé pour chacun des canaux gauche et droit (L et R).	
Connecteur RCA	1

Entrée d'horloge

Connecteur BNC	1
Impédance d'entrée	50 Ω
Fréquences recevables	44,1 kHz, 88,2 kHz, 176,4 kHz 10 MHz, 22,5792 MHz (±10 ppm)
Niveau d'entrée	
Onde rectangulaire	équivalent aux niveaux TTL
Onde sinusoïdale	0,5 à 1,0 Vrms

Générales

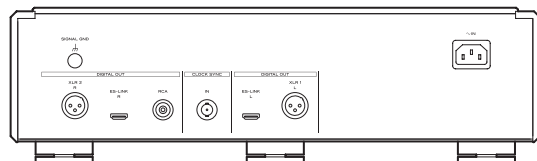
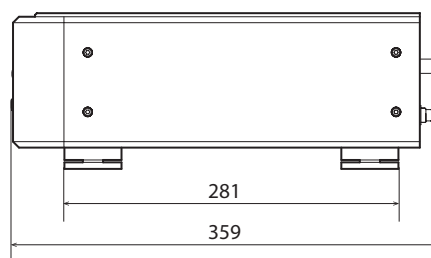
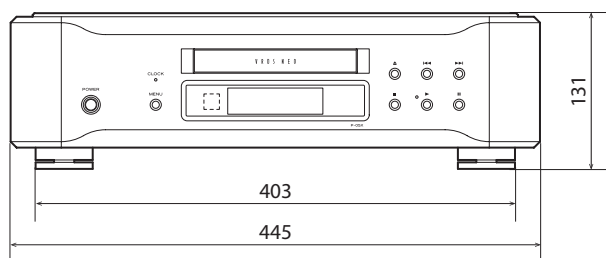
Alimentation électrique	
Modèle Europe	CA 220–240 V, 50/60 Hz
Modèle USA/Canada	CA 120 V, 60 Hz
Modèle Corée	CA 220 V, 60 Hz
Consommation électrique	16 W
Dimensions externes (L x H x P) (saillies incluses) ..	445 x 131 x 359 mm
Poids	13,5 kg
Température de fonctionnement	+5 °C à +35 °C
Hygrométrie de fonctionnement	5 % à 85 % (sans condensation)
Température de stockage	–20 °C à +55 °C

Accessoires fournis

Cordon d'alimentation	× 1
Câble HDMI	× 1
Télécommande (RC-1301)	× 1
Piles pour télécommande (AAA)	× 2
Patins en feutre	× 3
Mode d'emploi (ce document)	× 1
Carte de garantie	× 1

- Les illustrations de ce mode d'emploi peuvent légèrement différer des modèles de production.
- Le poids et les dimensions sont des valeurs approchées.
- Conception et caractéristiques techniques sont sujettes à modifications sans préavis.

Schémas avec cotes



Les dimensions sont en millimètres (mm)

INSTRUCCIONES IMPORTANTES DE SEGURIDAD



CAUTION
RISK OF ELECTRIC SHOCK
DO NOT OPEN



PRECAUCIÓN: PARA REDUCIR EL RIESGO DE DESCARGA ELÉCTRICA, NO quite la cubierta (ni el panel posterior). NO HAY PIEZAS INTERNAS QUE EL USUARIO PUEDA REPARAR. PARA REPARACIONES, REMÍTASE A UN SERVICIO TÉCNICO CUALIFICADO.



El símbolo del rayo acabado en flecha dentro de un triángulo equilátero alerta al usuario de la presencia de un "voltaje peligroso" sin aislar dentro de la carcasa del producto que puede ser de magnitud suficiente como para constituir riesgo de descarga eléctrica para las personas.



El signo de exclamación dentro de un triángulo equilátero alerta al usuario de la presencia de importantes instrucciones de funcionamiento y mantenimiento en la literatura que acompaña al aparato.

AVISO: PARA EVITAR RIESGO DE INCENDIO O DESCARGAS ELÉCTRICAS, NO EXPONGA ESTE APARATO A LA LLUVIA NI A LA HUMEDAD.

PRECAUCIÓN

- NO quite las carcasas externas ni deje al aire la electrónica. ¡EN EL INTERIOR NO HAY PIEZAS QUE EL USUARIO PUEDA MANIPULAR!
- SI EXPERIMENTA PROBLEMAS CON ESTE PRODUCTO, PÓNGASE EN CONTACTO CON EL ESTABLECIMIENTO DONDE ADQUIRIÓ LA UNIDAD PARA SOLICITAR SERVICIO TÉCNICO. NO UTILICE EL APARATO HASTA QUE HAYA SIDO REPARADO.
- EL USO DE CONTROLES, AJUSTES O PROCEDIMIENTOS QUE NO SEAN LOS ESPECIFICADOS EN ESTE MANUAL PUEDE CAUSAR EXPOSICIÓN A RADIACIONES PELIGROSAS.

EN EE. UU./CANADÁ, UTILICE SOLO ALIMENTACIÓN CON CORRIENTE DE 120 V.

Modelo para EE. UU.

Se ha comprobado que este equipo cumple con los límites establecidos para los dispositivos digitales de Clase B, de acuerdo con el apartado 15 de las Normas de la FCC. Estos límites están diseñados para proporcionar una protección razonable contra interferencias perjudiciales en instalaciones residenciales. Este equipo genera, utiliza y puede irradiar energía de radiofrecuencia y, si no se instala y se utiliza de acuerdo con las instrucciones, puede causar interferencias perjudiciales en las comunicaciones por radio. Sin embargo, no se puede garantizar que dichas interferencias no se produzcan en instalaciones particulares. Si este equipo causa interferencias perjudiciales en la recepción de radio o televisión, que se comprueban apagando y encendiendo el equipo, se recomienda al usuario que intente corregirla mediante una o varias de las siguientes medidas:

- Reoriente o recolocque el equipo y/o la antena receptora.
- Aumente la separación entre el equipo y el receptor.
- Conecte el equipo a una toma de electricidad situada en un circuito eléctrico diferente al del receptor.
- Consulte al distribuidor o solicite ayuda a un técnico de radio/TV con experiencia.

Modelo para Europa



Este producto cumple con las exigencias de las directivas europeas y con los reglamentos de la Comisión Europea.

PRECAUCIÓN

Cualquier cambio o modificación efectuada en este equipo que no haya sido expresamente aprobada por la parte responsable del cumplimiento de los requisitos exigidos podría invalidar el derecho del usuario a utilizar el equipo.

INSTRUCCIONES IMPORTANTES DE SEGURIDAD (continuación)

Información sobre el láser

Este producto contiene en el interior de su carcasa un sistema de láser semiconductor y está clasificado como "PRODUCTO LÁSER DE CLASE 1".

Para evitar quedar expuesto al haz del rayo láser, no intente abrir la carcasa.

Láser:

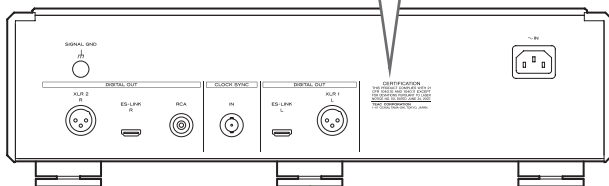
Tipo: SLD6163RL-G
Fabricante: SONY CORPORATION
Potencia láser: Inferior a 1 mW en la lente del objetivo
Longitud de onda: 785±15 nm (CD)
655±10 nm (Super Audio CD)

Modelo para EE. UU.

Este producto ha sido diseñado y fabricado de acuerdo con las normativas de la FDA, "título 21, CFR, capítulo 1, subcapítulo J, basado en el Acta de Control de Radiaciones para la Salud y la Seguridad de 1968", y está clasificado como producto láser de Clase **I**. No se produce radiación láser invisible peligrosa porque la radiación láser invisible emitida en el interior de este producto queda completamente confinada dentro de la carcasa protectora.

La etiqueta exigida por esta normativa es la siguiente:

CERTIFICATION
THIS PRODUCT COMPLIES WITH 21
CFR 1040.10 AND 1040.11 EXCEPT
FOR DEVIATIONS PURSUANT TO LASER
NOTICE NO. 50, DATED JUNE 24, 2007.
TEAC CORPORATION
1-47 OCHIAI, TAMA-SHI, TOKYO, JAPAN



- 1) Lea estas instrucciones.
- 2) Conserve estas instrucciones.
- 3) Cumpla con lo indicado en los avisos.
- 4) Siga todas las instrucciones.
- 5) No utilice este aparato cerca del agua.
- 6) Límpielo solo con un trapo seco.
- 7) No bloquee ninguna de las ranuras de ventilación. Instale este aparato de acuerdo con las instrucciones del fabricante.
- 8) No instale este aparato cerca de fuentes de calor como radiadores, calentadores, hornos u otros aparatos (incluyendo amplificadores) que produzcan calor.
- 9) No elimine el sistema de seguridad que supone el enchufe polarizado o con toma de tierra. Un enchufe polarizado tiene dos bornes, uno más ancho que el otro. Uno con toma de tierra tiene dos bornes iguales y una tercera lámina para la conexión a tierra. El borne ancho o la lámina se incluyen para su seguridad. Si el enchufe que venga con la unidad no encaja en su salida de corriente, haga que un electricista cambie su salida anticuada.
- 10) Evite que el cable de corriente quede de forma que pueda ser pisado o quedar retorcido o aplastado, especialmente en los enchufes, receptáculos o en el punto en el que salen del aparato.
- 11) Use solo accesorios / complementos especificados por el fabricante.
- 12) Utilice este aparato solo con un soporte, trípode o bastidor especificado por el fabricante o que se venda con el propio aparato. Cuando utilice un bastidor con ruedas, tenga cuidado al mover la combinación de aparato/bastidor para evitar que vuelque y puedan producirse daños.
- 13) Desconecte este aparato de la corriente durante las tormentas eléctricas o cuando no lo vaya a usar durante un periodo de tiempo largo.
- 14) Dirija cualquier posible reparación solo al servicio técnico oficial. Este aparato deberá ser reparado si se ha dañado de alguna forma, como por ejemplo si el cable de corriente o el enchufe están rotos, si ha sido derramado algún líquido sobre la unidad o algún objeto ha sido introducido en ella, si ha quedado expuesto a la lluvia o la humedad, si no funciona normalmente o si ha caído al suelo en algún momento.



- Este aparato libera corriente nominal no válida para el funcionamiento a través de la toma de corriente, aún cuando el interruptor de encendido y activación (POWER o STANDBY/ON) no esté en la posición de encendido (ON).
- El enchufe que se conecta a la red es el dispositivo de desconexión, por lo que deberá permanecer siempre en perfecto estado de uso.
- Deberá llevar cuidado si utiliza auriculares con este producto, ya que una excesiva presión sonora (volumen) procedente de los mismos puede causar pérdidas de audición.

AVISO

Los productos con construcción de Clase **I** están equipados con un cable de alimentación que tiene conexión de tierra. El cable de estos productos deberá conectarse a una toma de corriente que tenga conexión de protección de tierra.

PRECAUCIÓN

- No exponga este aparato a salpicaduras ni goteras.
- No coloque objetos que contengan líquidos, como por ejemplo jarrones, sobre el aparato.
- No instale este aparato en lugares cerrados tales como estanterías o similares.
- Este aparato debe situarse lo suficientemente cerca de una toma de electricidad como para poder alcanzar fácilmente el cable de corriente en cualquier momento.
- Si el producto utiliza pilas (esto incluye las pilas instaladas y los "packs" de pilas), se evitará su exposición directa al sol, al fuego o a cualquier otra fuente de calor excesivo.
- PRECAUCIÓN con los productos que emplean baterías de litio reemplazables: existe peligro de explosión si la batería se reemplaza por otra de tipo incorrecto. Reemplácela sólo por otra igual o de tipo equivalente.

Precauciones con respecto a las pilas

Un mal uso de las pilas puede hacer que se rompan o que tengan fugas y ello causar fuego, lesiones u oxidación en los objetos cercanos. Por favor, lea y observe las siguientes precauciones cuidadosamente.

- Asegúrese de introducir las pilas siempre con la correcta orientación de los polos positivo (\oplus) y negativo (\ominus).
- Use pilas del mismo tipo. Nunca utilice juntas pilas de tipos diferentes.
- Si no va a utilizar el mando a distancia durante mucho tiempo (más de un mes), quite las pilas para evitar que se sulfaten y tengan fugas.
- Si las pilas presentan fugas, limpie el líquido que haya caído en el compartimento y sustituya las pilas por otras nuevas.
- No utilice pilas que no sean del tipo especificado. No mezcle pilas nuevas con viejas ni utilice juntas pilas de tipos distintos.
- No caliente ni desarme las pilas. Nunca tire pilas al fuego ni al agua.
- No transporte ni almacene pilas con otros objetos metálicos. Las pilas podrían producir cortocircuitos, perder líquido o explotar.
- Nunca recargue una pila si no está completamente seguro de que es una pila recargable.

Para consumidores europeos

Deshacerse de aparatos eléctricos, electrónicos, pilas/baterías y acumuladores

- Todos los aparatos eléctricos y electrónicos, y pilas/baterías y acumuladores gastados, deben ser eliminados separados del resto de basura común y únicamente en los "puntos limpios" o bajo los procedimientos especificados por el gobierno o autoridades municipales locales.
- Con la eliminación correcta de los equipos eléctricos y electrónicos, y de pilas/baterías y acumuladores gastados, estará ayudando a conservar recursos muy valiosos y a evitar los posibles efectos negativos en la salud humana y en el medio ambiente.
- La eliminación incorrecta de los equipos eléctricos y electrónicos, y pilas/baterías y acumuladores, puede producir efectos muy dañinos en el medio ambiente y en la salud humana a causa de las sustancias peligrosas que pueden encontrarse en estos equipos.
- El símbolo de Eliminación de Aparatos Eléctricos y Electrónicos (WEEE en inglés), identificado por cubos de basura con ruedas tachados, indican que los equipos eléctricos y electrónicos, y las pilas/baterías y acumuladores, deben ser eliminados de forma totalmente independiente con respecto a la basura doméstica. Si una pila/batería o un acumulador contienen más cantidad de los valores especificados de plomo (Pb), mercurio (Hg), y/o cadmio (Cd) según está definido en la Directiva relativa a las pilas (2006/66/EC), entonces los símbolos químicos correspondientes a estos elementos estarán indicados debajo del símbolo WEEE.
- Existen sistemas para la eliminación y recogida a disposición del usuario final. Si necesita más información sobre cómo deshacerse de aparatos eléctricos y electrónicos antiguos, así como de pilas/baterías y acumuladores, póngase en contacto con su ayuntamiento, con la correspondiente empresa del servicio de recogida de residuos o con el establecimiento donde adquirió ese aparato.



Pb, Hg, Cd

"DSD" is a registered trademark.

"Super Audio CD" is a registered trademark.

This product incorporates copy protection technology that is protected by U.S. patents and other intellectual property rights of Rovi Corporation. The use of Rovi Corporation's copy protection technology in the product must be authorized by Rovi Corporation. Reverse engineering and disassembly are prohibited.

MEXCEL is a registered trademark of Mitsubishi Cable Industries, Ltd. in Japan and other countries.

ESOTERIC is a trademark of TEAC CORPORATION, registered in the U.S. and other countries.

Los nombres de otras compañías, nombres de productos y logos que aparecen en este documento son marcas comerciales o registradas de sus respectivos propietarios.

Índice

Gracias por adquirir este producto ESOTERIC.

Lea detenidamente este manual para obtener el mejor rendimiento de este producto. Después de leerlo, guárdelo en un lugar seguro, junto con la tarjeta de la garantía, para futuras consultas.

INSTRUCCIONES IMPORTANTES DE SEGURIDAD	59
Antes de su utilización	63
Qué hay en la caja	63
Nota sobre las patas puntiformes	63
Mantenimiento	63
Precauciones de uso	64
Notas sobre los discos	64
Realizar las conexiones	66
Nombres y funciones de las partes (unidad principal)	68
Nombres y funciones de las partes (pantalla)	69
Nombres y funciones de las partes (mando a distancia)	70
Notas sobre el mando a distancia	71
Funcionamiento básico	72
Encendido y apagado de la unidad	72
Reproducción	72
Poner en pausa la reproducción	73
Parar la reproducción	73
Usar los botones numéricos para seleccionar un pista para su reproducción	74
Saltar pistas	74
Buscar hacia atrás/hacia delante	75
Reproducción repetida	75
REPEAT TRK	75
REPEAT DSC	75
Reproducción programada	76
Añadir pistas al final del programa	77
Borrar todo el contenido del programa y reanudar la reproducción normal	77
Cambiar el área de reproducción	77
Pantalla	78
Atenuador de pantalla	78
Modo de configuración	79
Significado de los apartados mostrados en el modo de configuración	80
Ajuste del terminal/formato de salida	80
Ajuste del modo de reloj	81
Ajuste del convertidor D/A	81
Ajuste del área de reproducción prioritaria	81
Ajuste del oscurecimiento automático de la pantalla	81
Ajuste del ahorro de energía automático	82
Restablecer los ajustes de fábrica	82
Solución de posibles fallos	83
Especificaciones	85
Dibujos con las dimensiones	86

Qué hay en la caja

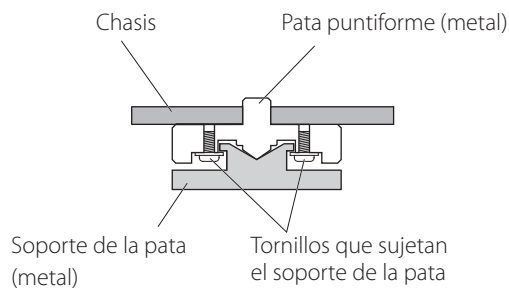
Asegúrese de que la caja incluye todos los accesorios suministrados que se muestran a continuación. Por favor, póngase en contacto con el establecimiento donde adquirió esta unidad si falta cualquiera de estos accesorios o si alguno ha sufrido desperfectos durante el transporte.

- Cable de corriente × 1
- Cable HDMI × 1
- Mando a distancia (RC-1301) × 1
- Pilas para el mando a distancia (AAA) × 2
- Almohadillas de fieltro × 3
- Manual del usuario (este documento) × 1
- Tarjeta de garantía × 1

Nota sobre las patas puntiformes

Esta unidad tiene unas patas puntiformes metálicas de alta precisión que están firmemente sujetas a la placa inferior.

Los soportes de estas patas están sueltos, pero cuando se coloca la unidad sobre una superficie, son estas patas puntiformes las que soportan la unidad, dispersando de manera efectiva las vibraciones.



- Coloque en la parte inferior de los soportes de las patas las almohadillas de fieltro incluidas para evitar rayar la superficie sobre la que se ponga la unidad.

Mantenimiento

Utilice un paño suave y seco para limpiar la superficie de la unidad. Para manchas difíciles, use un paño húmedo que haya sido bien escurrido para eliminar el exceso de líquido.

⚠ Por seguridad, desenchufe el cable de corriente de la toma de electricidad antes de limpiar la unidad.

- Nunca pulverice líquido directamente sobre esta unidad.
- No utilice gamuzas ni paños impregnados con productos químicos, ni disolvente o sustancias similares, ya que pueden dañar la superficie de la unidad.
- Evite que materiales de goma o de plástico estén en contacto con la unidad durante largos períodos de tiempo, ya que pueden dañar la carcasa.

Precauciones de uso

- Esta unidad pesa mucho, por tanto deberá llevar cuidado para evitar lesiones durante la instalación.
- No instale esta unidad donde pueda calentarse. Esto incluye lugares que estén expuestos a la luz solar directa o cercanos a un radiador, calefactor, estufa o cualquier otro aparato de calefacción. Tampoco coloque esta unidad encima de un amplificador u otro equipo que genere calor. Si lo hace, la unidad podría decolorarse, deformarse o funcionar mal.
- Evite lugares extremadamente fríos o expuestos a vibraciones, humedad o polvo excesivos.
- Para permitir una buena disipación del calor, deje al menos 20 cm entre esta unidad y las paredes u otros componentes del equipo cuando la instale. Si se coloca en un rack, tome precauciones para evitar un sobrecalentamiento, dejando al menos 5 cm libres por encima de la unidad y 10 cm por detrás. Si no deja estos márgenes de seguridad, el calor podría acumularse en el interior y provocar un incendio.
- Si instala la unidad en un rack con puerta de cristal, no utilice el botón OPEN/CLOSE (▲) del mando a distancia para abrir la bandeja de disco cuando la puerta esté cerrada. Si se impide por la fuerza el movimiento de la bandeja de disco, esta podría resultar dañada.
- Coloque la unidad en un lugar estable cerca del equipo de audio con el que la vaya a utilizar.
- No coloque nada sobre la unidad.
- No levante ni mueva la unidad durante la reproducción porque el disco gira a alta velocidad. Si lo hace, podría dañar el disco.
- Quite siempre cualquier disco cargado antes de mover esta unidad o embalarla para su instalación en un sitio diferente, por ejemplo. Si esta unidad se mueve con un disco en su interior, podría dañarse.
- El voltaje suministrado a la unidad deberá coincidir con el voltaje indicado en el panel posterior. Si tiene dudas al respecto, consulte a un electricista.
- No abra la carcasa de la unidad porque podría causar daños en los circuitos o una descarga eléctrica. En caso de que se introduzca un objeto extraño en la unidad, contacte con su distribuidor.
- Cuando desenchufe el cable de corriente de la toma de electricidad, tire siempre directamente del conector, nunca tire del cable.
- La forma del terminal ES-LINK es la misma que la de un terminal HDMI, pero transmite señales en un formato exclusivo de ESOTERIC. No conecte el terminal ES-LINK a un terminal HDMI de un dispositivo fabricado por otra marca. Los terminales ES-LINK y HDMI no son compatibles.

Notas sobre los discos

Los símbolos mostrados a continuación aparecen rotulados en los discos y en las cajas de los discos. Esta unidad puede reproducir aquellos discos identificados con estos símbolos sin utilizar un adaptador. Esta unidad no puede reproducir discos que no estén identificados con estos símbolos.

Tipos de discos que pueden reproducirse en esta unidad y sus símbolos



Si intenta reproducir cualquier otro tipo de disco con esta unidad, puede originar ruidos a volumen alto capaces de dañar los altavoces o lesionar sus oídos. Nunca intente reproducir otros tipos de discos que no sean los mencionados anteriormente.

- Esta unidad no puede reproducir discos DVD Vídeo, DVD Audio, Vídeo CD, DVD-ROM y CD-ROM, por ejemplo.
- Es posible que esta unidad no reproduzca correctamente los discos duales (Dual Disc), los CD con control de copia u otros CD especiales que no cumplan con la normativa estándar del Libro Rojo del CD. Si se utilizan discos especiales en esta unidad, no se garantiza el funcionamiento ni la calidad del sonido. Si la reproducción de un disco especial le causa problemas, póngase en contacto con el vendedor del disco.

Discos CD-R/CD-RW

Esta unidad puede reproducir discos CD-R/CD-RW que hayan sido grabados en formato de CD Audio.

- Asegúrese de finalizar los discos creados con grabadoras de CD.

Dependiendo de la calidad del disco y de las condiciones de la grabación, es posible que algunos discos no puedan reproducirse. Para más información, consulte el manual de instrucciones del dispositivo que esté utilizando.

Manejo de los discos

- Cargue los discos con el lado rotulado hacia arriba. (Los CD solo pueden reproducirse por una cara).
- Para sacar un disco de su caja, presione primero hacia abajo en el centro de la caja y, a continuación, sujete el disco por sus bordes.

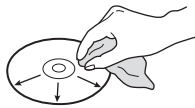
Para sacarlo de la caja



Sujételo por los bordes

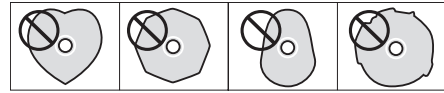


- Maneje los discos con cuidado. Si el lado del disco que contiene los datos grabados (el lado sin rotular) está rayado, tiene huellas o suciedad, o está empañado, pueden producirse errores de reproducción.
- Si el lado del disco que contiene los datos grabados (el lado sin rotular) se ensucia con huellas o polvo, utilice un paño suave para limpiar la superficie, limpiando desde el centro hacia los bordes. Limpie los discos siempre antes de guardarlos. Si un disco se guarda sucio, puede degradarse su calidad de sonido.



- Nunca utilice limpiadores de discos, tratamientos antiestáticos, disolventes o productos químicos similares para limpiar los discos. Tales productos químicos pueden dañar la superficie del disco.
- No deje los discos en sitios que estén expuestos a la luz del sol directamente, ni tampoco que sean muy húmedos o muy calurosos.
- Si escribe sobre el lado rotulado de un disco, utilice un rotulador de tinta permanente con punta de fieltro. Si usa un bolígrafo u otro objeto de escritura con punta dura, puede estropear el disco y convertirlo en irreproducible.
- Después de terminar la reproducción de un disco, vuelva a guardarlo siempre en su caja. Si no lo hace, puede deformarse o rayarse.
- No ponga etiquetas ni otros materiales en los discos. No utilice discos que tengan residuos de pegamento en su superficie después de quitar una pegatina, adhesivo o similar. Si carga un disco así, puede quedarse pegado en el interior de la unidad o dañarla.

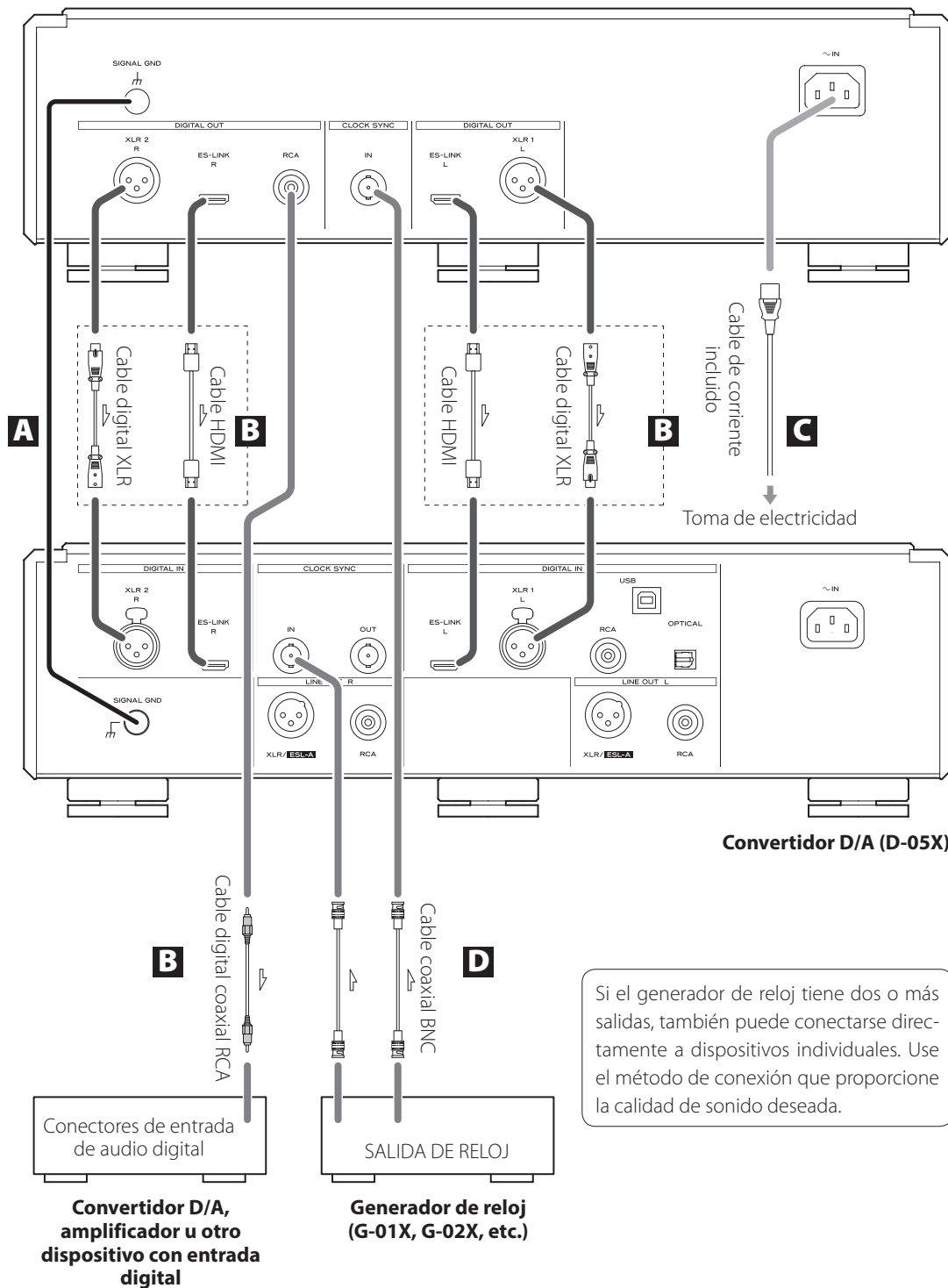
- Nunca utilice estabilizadores de CD de los disponibles en establecimientos comerciales. Si lo hace, puede estropear el disco o dañar la unidad.
- No utilice discos rotos porque pueden estropear la unidad.
- Nunca utilice discos con formas irregulares, como discos con forma de corazón u octogonales, porque pueden dañar la unidad.



- No utilice discos de los que pueden imprimirse sobre el lado rotulado. Dado que la superficie de dichos discos ha recibido un tratamiento especial, pueden quedarse pegados dentro de la unidad o dañarla.

Si tiene dudas sobre cómo proceder con un disco CD-R o CD-RW, póngase en contacto con el fabricante del disco directamente.

Transporte de Super Audio CD/CD (P-05X)



Si el generador de reloj tiene dos o más salidas, también puede conectarse directamente a dispositivos individuales. Use el método de conexión que proporcione la calidad de sonido deseada.

⚠ Precauciones al realizar la conexiones

- Termine todas las conexiones antes de enchufar el cable de corriente a una toma de electricidad.
- Lea los manuales de instrucciones de todos los dispositivos que se van a conectar y siga sus indicaciones.

A Terminal de tierra SIGNAL GND

La conexión de este terminal de tierra al terminal de tierra del convertidor D/A, de un amplificador o de otro dispositivo podrá mejorar la calidad de sonido.

- Este terminal no es una toma de tierra de seguridad eléctrica.

B Terminales de salida de audio digital (DIGITAL OUT)

Por estos terminales sale el audio digital. Conéctelos a los correspondientes terminales de entrada digital de un convertidor D/A (como, por ejemplo, un D-05X).

ES-LINK: cable HDMI

- Utilice los dos cables HDMI que vienen incluidos con esta unidad y con un convertidor ESOTERIC D/A (viene un cable con cada dispositivo). La forma del terminal ES-LINK es la misma que la de un terminal HDMI, pero transmite señales en un formato exclusivo de ESOTERIC. No conecte el terminal ES-LINK a un terminal HDMI de un dispositivo fabricado por otra marca. Los terminales ES-LINK y HDMI no son compatibles.
- El cable HDMI incluido con esta unidad es direccional. Conecte el extremo del cable con la marca blanca al convertidor D/A.

Utilice cables de los disponibles en establecimientos comerciales para las siguientes conexiones:

XLR: cable digital XLR

RCA: cable digital coaxial RCA


- Utilice un par de cables de uno u otro tipo para conectar la unidad al convertidor D/A.


Cambie los ajustes de salida de los terminales de acuerdo a los que se estén utilizando (página 80).

- Es recomendable utilizar ES-LINK para la conexión a un D-05X.
- Cuando conecte esta unidad a un convertidor D/A ESOTERIC (Grandioso D1/D-01/D-02/D-03/D-05/D-02X/D-05X/D-07X) o a un convertidor D/A compatible con Dual AES, utilice dos cables y conecte el terminal XLR 1 (L) de esta unidad al terminal izquierdo (L) del convertidor D/A y el terminal XLR 2 (R) de esta unidad al terminal derecho (R) del convertidor D/A (conexión Dual AES).

C Entrada para el cable de corriente (~IN)

Conecte en esta entrada el cable de corriente incluido. Una vez terminadas todas las demás conexiones, enchufe el cable de corriente en una toma de electricidad.

 **Utilice exclusivamente un cable de corriente de marca ESOTERIC. El uso de otros cables de corriente puede causar fuego o descargas eléctricas.**

 **Desenchufe el cable de corriente de la toma de electricidad si no va a utilizar la unidad durante un largo periodo de tiempo.**

D Terminal CLOCK SYNC IN

Se utiliza para introducir señales de sincronización de reloj. Cuando utilice un generador de reloj maestro, conecte su terminal de salida de reloj al terminal CLOCK SYNC IN de esta unidad.

Utilice un cable coaxial BNC de los disponibles en establecimientos comerciales para esta conexión.

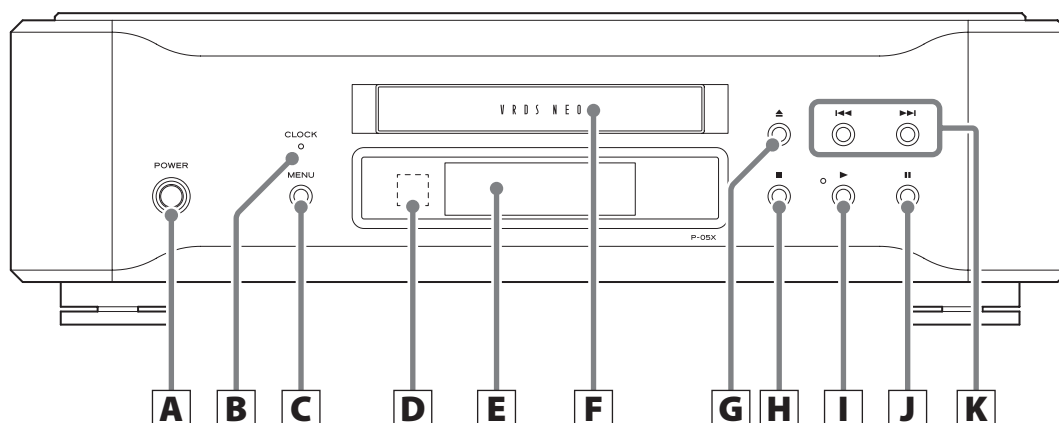
Utilice un cable coaxial BNC con una impedancia de 50 Ω o 75 Ω.

En ESOTERIC utilizamos **cables ESOTERIC MEXCEL libres de estrés** como referencia.

Encontrará información detallada en el siguiente sitio web:

<http://www.esoteric.jp/products/esoteric/accessory/indexe.html>

Nombres y funciones de las partes (unidad principal)



A Botón POWER

Púlselo para encender y apagar la unidad.
Cuando la unidad está encendida, el anillo que rodea el botón se ilumina en azul.
Cuando la unidad está apagada, el anillo no se ilumina.
Cuando no utilice la unidad, apáguela.

B Indicador CLOCK

Muestra el estado de la sincronización de reloj.
Cuando el ajuste de sincronización de reloj esté configurado en IN o MCK22M, este indicador empezará a parpadear. Cuando se detecte una señal de reloj y se produzca la sincronización, dejará de parpadear y se quedará iluminado fijo.

C Botón MENU

Se utiliza para acceder al modo de configuración (página 79).

D Receptor de señales de control remoto

Recibe las señales del mando a distancia. Cuando utilice el mando a distancia, apunte con el extremo del mando hacia este panel receptor (página 71).

E Pantalla

Muestra el tiempo de reproducción, el número de pista y otra información (página 78).

F Bandeja de disco

Aquí se cargan los discos para su reproducción (página 72).

G Botón de apertura/cierre de la bandeja (▲)

Púlselo para abrir y cerrar la bandeja de disco (página 72).

H Botón de parada (■)

Púlselo para parar la reproducción (página 73).
Con la reproducción parada, púlselo y manténgalo pulsado al menos dos segundos para cambiar el área de reproducción de un Super Audio CD (página 77).
En el modo de configuración, púlselo para completar el cambio de los ajustes y que vuelva a mostrarse la pantalla normal (página 79).

I Botón de reproducción (▶)

Púlselo para comenzar la reproducción (página 72).
Durante la reproducción, se ilumina el indicador situado junto a este botón.

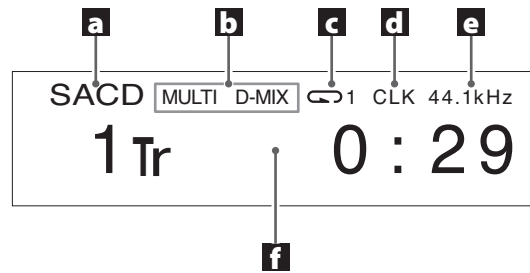
J Botón de pausa (||)

Púlselo para poner en pausa la reproducción (página 73).
Cuando la reproducción está en pausa, el indicador situado junto al botón de reproducción parpadea.

K Botones de salto (◀◀/▶▶)

Se utilizan para saltar a la pista anterior o siguiente (página 74).
Púlselos y manténgalos pulsados durante al menos un segundo durante la reproducción para buscar hacia atrás/hacia delante.
Púlselos repetidamente y manténgalos pulsados durante más de un segundo para cambiar la velocidad de búsqueda hacia atrás/hacia delante a uno de los tres niveles existentes (página 75).
Se utilizan para cambiar parámetros en el modo de configuración (página 79).

Nombres y funciones de las partes (pantalla)



a Tipo de disco

Muestra el tipo de disco cargado en ese momento.

SACD: Super Audio CD

CD: CD Audio

b Información

Durante la reproducción de Super Audio CD

Sin indicador:

Está seleccionada el área de dos canales de un Super Audio CD.

MULTI D-MIX:

Aparece cuando el audio multicanal de un Super Audio CD está siendo mezclado para enviarlo a la salida.

c Indicador de repetición

Aparece durante la reproducción repetida (página 75).

d Modo de reloj

Muestra el modo de reloj (página 81).

Sin indicador: CLK está configurado en OFF

CLK: CLK está configurado en IN

MCK: CLK está configurado en MCK22M

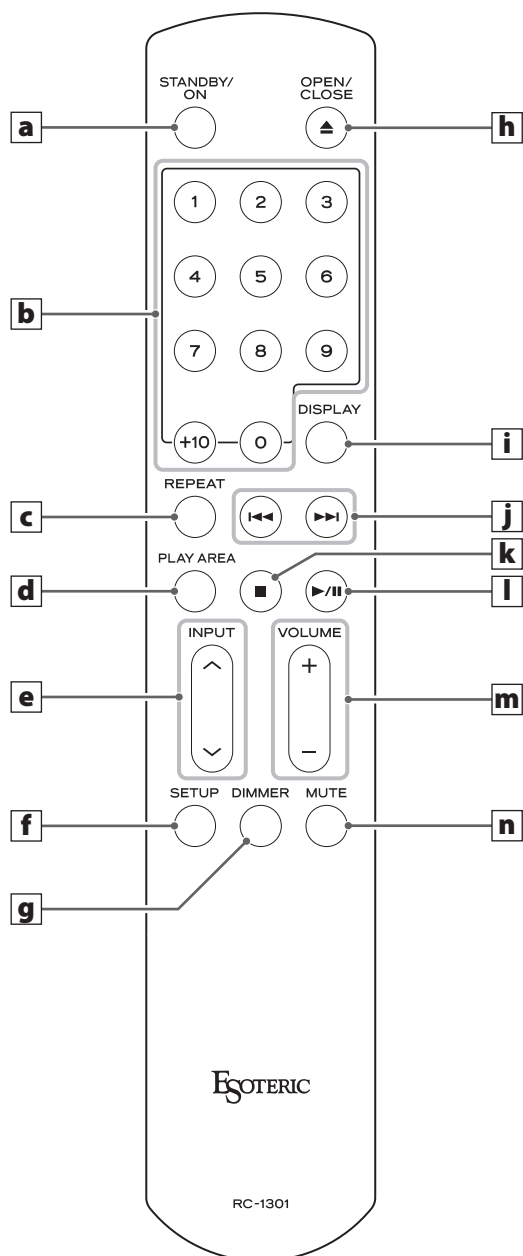
e Frecuencia de reloj de entrada

Aquí se muestra la frecuencia de la señal de sincronización (reloj) introducida a través del terminal CLOCK SYNC IN.

f Área de visualización de mensajes

Aquí aparecen el tiempo de reproducción y otra serie de mensajes.

Nombres y funciones de las partes (mando a distancia)



Cuando la unidad principal y el mando a distancia tienen botones con las mismas funciones, las instrucciones de este manual se refieren solo a los botones de la unidad principal, aunque los botones del mando a distancia pueden utilizarse de la misma manera.

a Botón STANDBY/ON

Este botón no se utiliza con esta unidad.

b Botones numéricos

Se utilizan para seleccionar pistas.

c Botón REPEAT

Se utiliza para la reproducción repetida (página 75).
Púlselo y manténgalo pulsado para entrar en el modo de programación (página 76).

d Botón PLAY AREA

Con la reproducción parada, púlselo para cambiar el área de reproducción de un Super Audio CD (página 77).

e Botones INPUT (^/∨)

Estos botones no se utilizan con esta unidad. Se pueden utilizar para cambiar las entradas de convertidores D/A (incluido el D-05X) y amplificadores ESOTERIC.

f Botón SETUP

Este botón no se utiliza con esta unidad. Se puede utilizar con convertidores D/A (incluido el D-05X), amplificadores y otros productos ESOTERIC.

g Botón DIMMER

Se utiliza para ajustar la intensidad del brillo de la pantalla de la unidad principal (página 78).

h Botón de bandeja OPEN/CLOSE (▲)

Púlselo para abrir y cerrar la bandeja de disco (página 72).

i Botón DISPLAY

Durante la reproducción, pulse este botón para cambiar lo que se muestra en la pantalla (página 78).

j Botones de salto (◀◀/▶▶)

Púselos para saltar a la pista anterior o siguiente.
Púselos y manténgalos pulsados durante al menos un segundo durante la reproducción para buscar hacia atrás/hacia delante. Púselos repetidamente y manténgalos pulsados durante más de un segundo para cambiar la velocidad de búsqueda hacia atrás/hacia delante a uno de los tres niveles existentes (página 75).
Se utilizan para cambiar parámetros en el modo de configuración (página 79).

k Botón de parada (■)

Púlselo para parar la reproducción (página 73).

l Botón de reproducción/pausa (▶/||)

Púlselo cuando la reproducción esté parada o en pausa para comenzar la reproducción.

Púlselo durante la reproducción para ponerla en pausa (página 73).

m Botones VOLUME (+/-)

Estos botones no se utilizan con esta unidad. Se pueden utilizar con convertidores D/A (incluido el D-05X), amplificadores y otros productos ESOTERIC.

n Botón MUTE

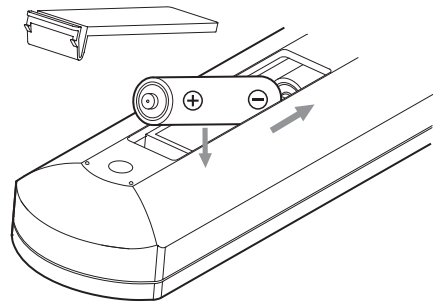
Este botón no se utiliza con esta unidad. Se puede utilizar para silenciar convertidores D/A (incluido el D-05X) y amplificadores ESOTERIC.

Precauciones al utilizar el mando a distancia

- Cuando utilice el mando a distancia, oriéntelo hacia el receptor de señales de control remoto que hay en la unidad principal desde una distancia de 7 m o menos. No coloque obstáculos entre la unidad principal y el mando a distancia.
- El mando a distancia podría no funcionar si el receptor de señales de control remoto está expuesto directamente a la luz del sol u otra luz intensa.
- Tenga en cuenta que la utilización de este mando a distancia podría causar el funcionamiento accidental de otros dispositivos que puedan ser controlados por rayos infrarrojos.

Instalación de las pilas

Quite la tapa de la parte posterior del mando a distancia e inserte en el compartimento dos pilas AAA con sus polos ⊕/⊖ orientados como se muestra en la figura. Vuelva a colocar la tapa.



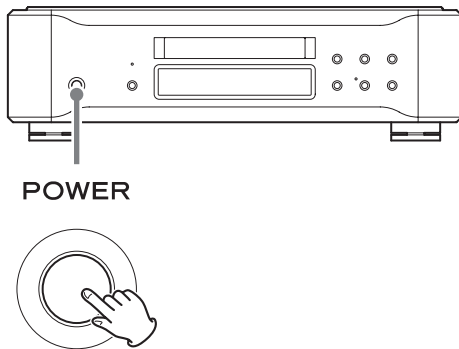
Cuándo sustituir las pilas

Si la distancia requerida entre la unidad principal y el mando a distancia es cada vez menor o si la unidad deja de responder a los botones del mando a distancia, cambie ambas pilas por otras nuevas. Deshágase de las pilas usadas según las instrucciones que figuren en las mismas o los requisitos establecidos por las autoridades locales.

! PRECAUCIÓN

Un mal uso de la pilas podría hacer que se rompan o se sulfaten (pierdan líquido), lo que podría originar fuego, lesiones o la oxidación de materiales cercanos. Por favor, lea atentamente y observe las instrucciones de las precauciones de la página 61.

Encendido y apagado de la unidad

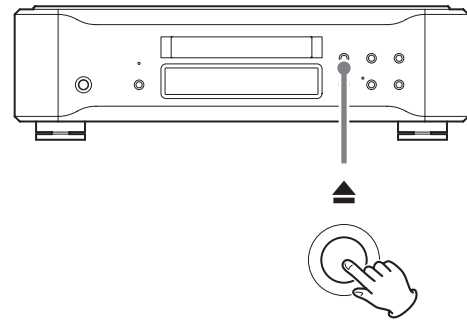


Pulse el botón POWER para encender la unidad cuando esté apagada y para apagarla cuando esté encendida. Cuando está encendida, el indicador de encendido y la pantalla se iluminan.

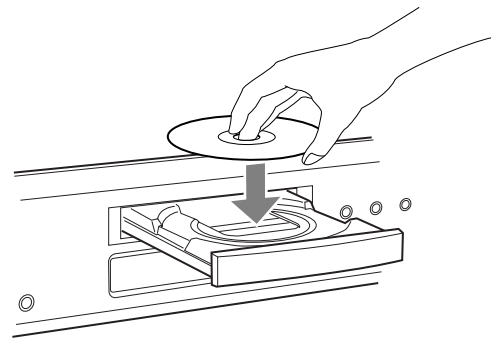
- Cuando utilice esta unidad, encienda el convertidor D/A, el amplificador y los demás dispositivos conectados a ella. Cuando lo haga, encienda el amplificador en último lugar.

1 Pulse el botón de apertura/cierre de la bandeja (▲).

La bandeja de disco se abrirá hacia delante.



2 Coloque un disco centrado en la bandeja con el lado rotulado hacia arriba.



- Si se cierra la bandeja mientras el disco se encuentra fuera de las guías centrales, este podría quedar atascado en el interior y la bandeja podría no volver a abrirse. Asegúrese de colocar siempre los discos dentro de las guías en el centro de la bandeja.

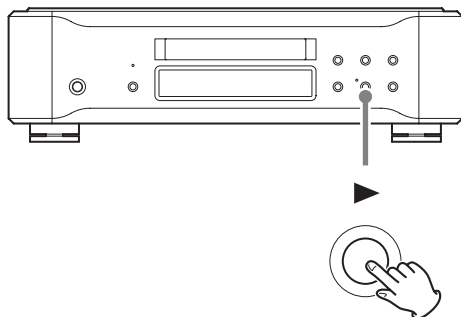
3 Pulse el botón de apertura/cierre de la bandeja (▲).



La bandeja de disco se introducirá en la unidad. Tenga cuidado de que la bandeja no le pille los dedos al cerrarse.

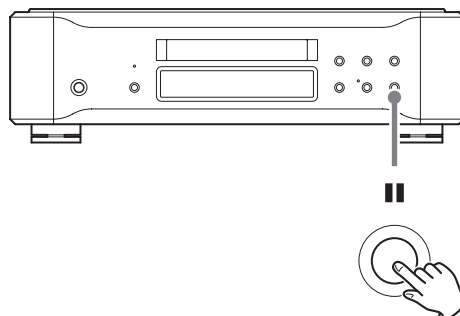
- La unidad tarda un poco en cargar el disco.

4 Pulse el botón de reproducción (▶).



Comenzará la reproducción.

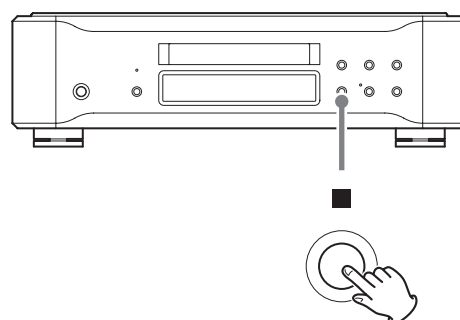
Poner en pausa la reproducción



Durante la reproducción, pulse el botón de pausa (||) para poner en pausa la reproducción. Cuando está en pausa, el indicador situado junto al botón de reproducción (▶) de la unidad principal parpadea en azul.

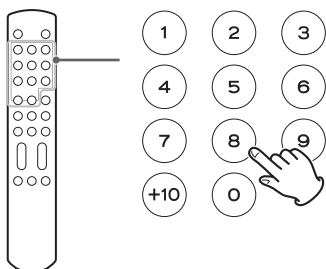
Pulse el botón de reproducción (▶) o el de pausa (||) para reanudar la reproducción.

Parar la reproducción



Pulse el botón de parada (■) para parar la reproducción.

Usar los botones numéricos para seleccionar un pista para su reproducción



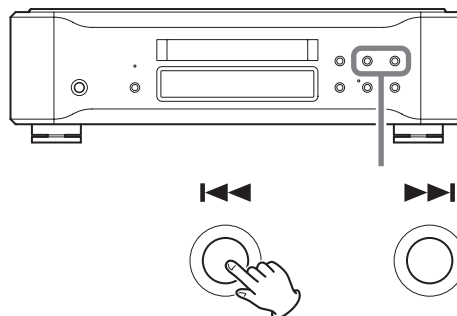
Con la reproducción en marcha o parada, puede pulsar los botones numéricos para seleccionar una pista y empezar a reproducirla. Para seleccionar una pista con un número de un solo dígito, pulse el botón numérico correspondiente. Para reproducir una pista con un número de dos dígitos, pulse el botón +10 tantas veces como sea necesario y, a continuación, pulse el botón numérico correspondiente al segundo dígito. Una vez introducido el número de pista, comenzará la reproducción.

Ejemplos:

Pista 7:

Pista 23: ➔ ➔

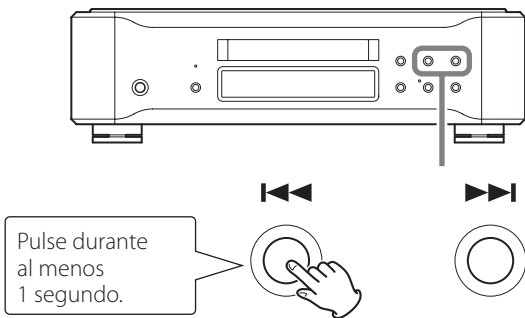
Saltar pistas



Durante la reproducción, pulse un botón de salto (I◀◀/▶▶I) en la unidad principal o en el mando a distancia para saltar a la pista anterior o siguiente y comenzar la reproducción.

- Pulse el botón I◀◀ una vez para volver al principio de la pista actual. Pulse el botón I◀◀ repetidamente para volver a pistas anteriores. Sin embargo, si la posición de reproducción es de menos de un segundo desde el principio de la pista actual, al pulsar el botón I◀◀ saltará al principio de la pista anterior.
- Con la reproducción parada o en pausa, utilice los botones I◀◀/▶▶I para seleccionar una pista y ponerla en pausa en el principio de la misma.

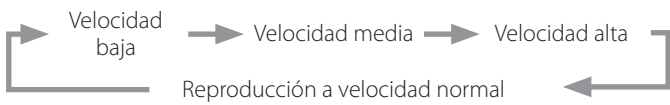
Buscar hacia atrás/hacia delante



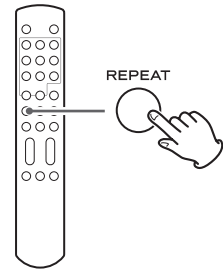
Durante la reproducción, pulse y mantenga pulsado un botón de salto (I◀◀/▶▶I) en la unidad principal o en el mando a distancia (más de un segundo) hasta que comience la búsqueda hacia atrás/hacia delante. Cuando encuentre el punto desde donde desee escuchar, pulse el botón de reproducción (▶) de la unidad principal o el botón de reproducción/pausa (▶/II) del mando a distancia.

Puede cambiar la velocidad de búsqueda hacia atrás/hacia delante pulsando el correspondiente botón de salto (I◀◀/▶▶I) durante al menos un segundo y después soltándolo.

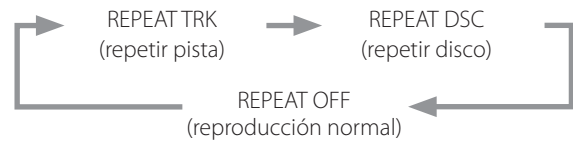
También cambiará la velocidad con la que < o > parpadean en la pantalla.



- Mantener pulsado el botón de forma continuada no cambiará la velocidad.



El modo de repetición cambia cada vez que se pulsa el botón REPEAT durante la reproducción.



REPEAT TRK

Se reproduce repetidamente la pista actual. Durante la reproducción repetida, seleccione una pista diferente para la reproducción repetida de dicha pista.

REPEAT DSC

Se reproducen repetidamente todas las pistas del disco actual.

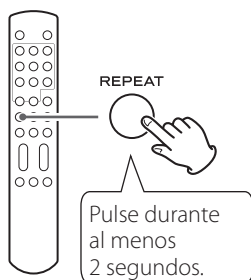
- Durante la reproducción repetida, en la pantalla se muestra el modo de repetición.
- Al parar la reproducción finaliza el modo de reproducción repetida.

Reproducción programada

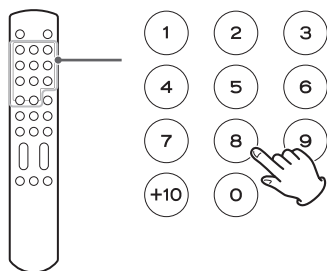
Se pueden programar hasta un total de 30 pistas en el orden en que desee escucharlas.

1 Durante la reproducción o con ella parada, pulse el botón REPEAT durante al menos dos segundos.

Si pulsa este botón durante la reproducción, la pista que se está reproduciendo se añadirá al programa como primera pista.



2 Utilice los botones numéricos para seleccionar las pistas que desee programar.



Ejemplos:

Pista 3: (3)

Pista 12: (+10) ⇒ (2)

Pista 20: (+10) ⇒ (+10) ⇒ (0)



Número de pista programada

Número de programa

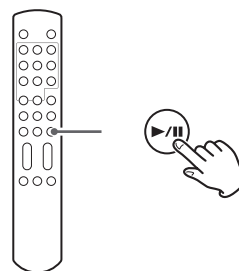
Para programar varias pistas, siga pulsando las teclas numéricas.

- Los números de pistas que no existen en el disco cargado en ese momento no pueden ser añadidas al programa.

3 Cuando haya terminado de añadir pistas al programa, pulse el botón de reproducción/pausa (▶/||).

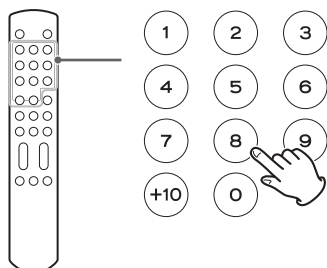
Comenzará la reproducción del programa.

- Si ha creado el programa durante la reproducción, no necesita pulsar el botón de reproducción/pausa (▶/||).



Añadir pistas al final del programa

Durante la reproducción o con la reproducción parada, utilice los botones numéricos para seleccionar la pista que desee añadir.

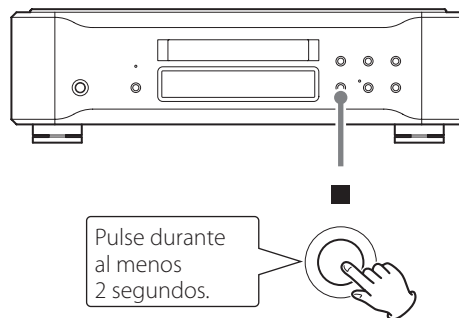
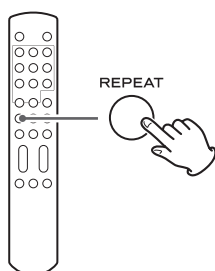


Borrar todo el contenido del programa y reanudar la reproducción normal

Durante la reproducción o con la reproducción parada, pulse el botón REPEAT durante al menos dos segundos para finalizar el modo de programa. Pulse el botón REPEAT al menos dos segundos durante la reproducción programada para reanudar la reproducción normal a partir de ese punto.

- Se borrará el contenido del programa.

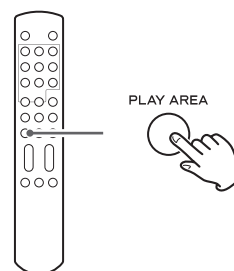
Además, durante la reproducción o con la reproducción parada, si pulsa el botón de apertura/cierre de la bandeja (▲) o el botón de POWER de la unidad principal, también se borrará el contenido del programa.



Algunos discos Super Audio CD tienen múltiples áreas, incluyendo un área estéreo (2 canales) y un área multicanal. Los discos Super Audio CD híbridos tienen dos capas, y una de ellas contiene audio de calidad CD estándar.

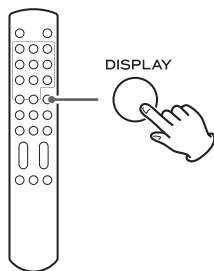
Con la reproducción parada, pulse el botón de parada (■) durante al menos dos segundos para cambiar el área de reproducción.

- Para cambiar el área de reproducción con el mando a distancia, pulse el botón PLAY AREA con la reproducción parada.



- Cuando se selecciona el área multicanal de un disco SACD, el audio multicanal se mezcla reduciéndose a estéreo para su reproducción.

Pantalla



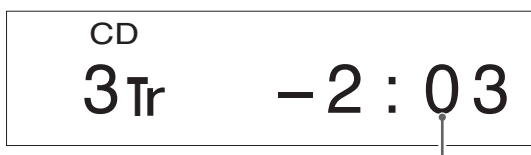
Durante la reproducción de un disco o cuando esté en pausa, cada vez que pulse el botón DISPLAY la información mostrada en pantalla cambiará como se indica a continuación.

Ejemplos:



Pista en reproducción

Tiempo transcurrido de la pista en reproducción



Tiempo que queda de la pista en reproducción



Tiempo transcurrido del disco



Tiempo que queda del disco

- Cuando la reproducción está parada, se muestra el número total de pistas y el tiempo total de reproducción del disco.

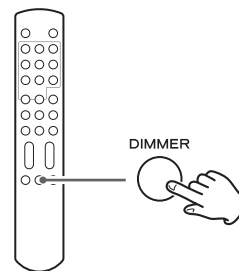
Ejemplo:



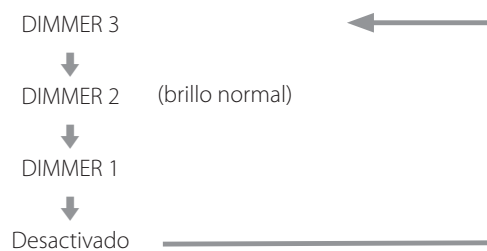
Número total de pistas

Tiempo total de reproducción del disco

Atenuador de pantalla

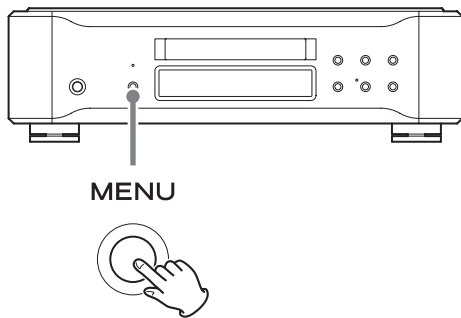


Se puede ajustar el brillo de la pantalla y de los indicadores luminosos de esta unidad.

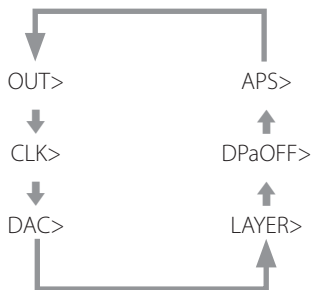


- Cuando el atenuador de pantalla está desactivado, la pantalla se oscurece.
- Aunque el atenuador de pantalla esté desactivado, la pantalla se iluminará con el brillo normal durante unos 3 segundos al pulsar el botón de reproducción/pausa (▶/⏸) u otro botón.
- Aunque el ajuste sea DIMMER 1 o desactivado, se utilizará un ajuste más brillante (DIMMER 2 o DIMMER 3) cuando en pantalla aparezcan mensajes de error o menús de configuración.

- 1 Pulse el botón MENU para seleccionar el apartado que desee cambiar.**

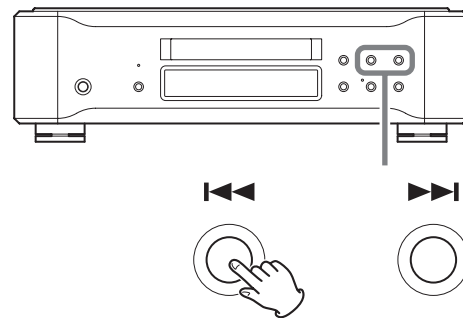


Cada vez que pulse el botón MENU, el apartado que aparece en la pantalla cambiará como sigue:



- Si no hace nada durante 10 segundos o más, el modo de configuración se cancelará y se reanudará la pantalla normal.
- Pulse el botón de parada (■) para salir del modo de configuración.
- Los ajustes de configuración solo se pueden cambiar cuando la unidad está parada. Si la unidad está reproduciendo, pulse el botón de parada (■) para pararla antes de llevar a cabo estas operaciones.

- 2 Utilice los botones de salto <</>> para cambiar los ajustes.**



Para más información sobre los ajustes de configuración, consulte las páginas 80–82.

Si no se hace nada durante 10 o más segundos o si se pulsa el botón de parada (■) una vez, el modo de configuración se cancelará y se reanudará la pantalla normal.

- También se pueden utilizar los botones de salto del mando a distancia (<</>>) para realizar estas operaciones.
- Los ajustes se conservan incluso aunque se desconecte la unidad de la corriente eléctrica.

Significado de los apartados mostrados en el modo de configuración

OUT>***

Ajuste del terminal/formato de salida
Ajusta el terminal de salida y el tipo de sobreconversión.

CLK>***

Ajuste del modo de reloj

DAC>***

Ajuste del convertidor D/A
Determina el tipo de convertidor D/A conectado.

LAYER>***

Ajuste del área de reproducción prioritaria
Determina qué capa se va a utilizar primero para la reproducción cuando se cargue un disco híbrido que contenga capa de Super Audio CD y capa de CD.

DPaOFF>***

Ajuste del oscurecimiento automático de la pantalla

APS>***

Ajuste del ahorro de energía automático

Ajuste del terminal/formato de salida

OUT>***

Ajusta el terminal de salida y el tipo de sobreconversión.
El ajuste por defecto es "ESLINK".

ESLINK

La señal de audio se emite por el terminal ES-LINK.
Durante la reproducción de CD, la señal sale después de una sobreconversión de 8X en formato de 48 bits.

DUAL_8

Se utilizan dos terminales XLR para que salgan las señales izquierda y derecha por separado.
Se aplica una sobreconversión de 8X a la reproducción de CD.

DUAL_4

Se utilizan dos terminales XLR para que salgan las señales izquierda y derecha por separado.
Se aplica una sobreconversión de 4X a la reproducción de CD.

DUAL_2

Se utilizan dos terminales XLR para que salgan las señales izquierda y derecha por separado.
Se aplica una sobreconversión de 2X a la reproducción de CD.

XLR_4

La señal estéreo se emite desde un terminal XLR.
Se aplica una sobreconversión de 4X a la reproducción de CD.

XLR_2

La señal estéreo se emite desde un terminal XLR.
Se aplica una sobreconversión de 2X a la reproducción de CD.

XLR_1

La señal estéreo se emite desde un terminal XLR.
No se produce sobreconversión.

RCA_4

La señal estéreo se emite desde un terminal RCA.
Se aplica una sobreconversión de 4X a la reproducción de CD. Con esta opción no se puede emitir audio SACD.

RCA_2

La señal estéreo se emite desde un terminal RCA.
Se aplica una sobreconversión de 2X a la reproducción de CD. Con esta opción no se puede emitir audio SACD.

RCA_1

La señal estéreo se emite desde un terminal RCA.
No se produce sobreconversión. Con esta opción no se puede emitir audio SACD.

Ajuste del modo de reloj

CLK>***

El ajuste por defecto es "OFF".

OFF

El oscilador de cristal interno de la unidad funciona como reloj maestro.

IN

El oscilador de cristal interno se sincroniza a un reloj externo.

MCK22M

Se introduce una señal externa de 22,5792 MHz y se utiliza como reloj maestro.

Ajuste del convertidor D/A

DAC>***

Determina el tipo de convertidor D/A conectado. Dependiendo del tipo ajustado, podría no ser posible la reproducción de SACD. También determina el tipo de cifrado de protección contra copia. El ajuste por defecto es "ESL3".

ESL3

Utilice este ajuste cuando la unidad esté conectada a un Grandioso D1, D-02, D-02X o D-05X de ESOTERIC.

Cuando está seleccionada la conexión ESLINK o una conexión DUAL, la reproducción de CD se emite utilizando el formato exclusivo ESL3 de 48 bits de ESOTERIC. La reproducción de SACD se emite utilizando el formato ESL2.

ESL2

Utilice este ajuste cuando la unidad esté conectada a un D-03, D-05, D-07 o D-07X de ESOTERIC.

Durante la reproducción de CD, la señal se emite en formato de 24 bits. La reproducción de SACD se emite utilizando el formato ESL2.

ESL1

Utilice este ajuste cuando la unidad esté conectada a un D-01 de ESOTERIC.

Durante la reproducción de CD, la señal se emite en formato de 24 bits. La reproducción de SACD se emite utilizando el formato ESL1.

OTHER

Utilice este ajuste cuando la unidad esté conectada a un convertidor D/A que no sea ninguno de los mencionados anteriormente. No se emiten señales de audio DSD de discos SACD.

Ajuste del área de reproducción prioritaria

LAYER>***

Algunos discos Super Audio CD son discos híbridos que tienen dos capas, de las cuales la segunda contiene datos de CD.

Determine qué capa se va a utilizar primero para la reproducción cuando se cargue un disco híbrido.

El ajuste por defecto es "SACD".

SACD

La capa SACD es la primera en leerse.

CD

La capa de CD es la primera en leerse.

Utilice este ajuste si desea escuchar primero la capa de CD o si la unidad está conectada a un convertidor D/A que no admita DSD.

Ajuste del oscurecimiento automático de la pantalla

DPaOFF>***

La pantalla puede ajustarse para que se oscurezca automáticamente después de que haya transcurrido una determinada cantidad de tiempo.

El ajuste por defecto es "ON".

ON

La pantalla se oscurecerá automáticamente si la información mostrada en ella no cambia durante 10 minutos.

OFF

La pantalla no se oscurecerá automáticamente, pero si nada cambia en 10 minutos, su brillo bajará al nivel de DIMMER 1 para reducir el desgaste de la pantalla a largo plazo.

- Es recomendable ajustar esta función de oscurecimiento automático de la pantalla en "ON". Si la pantalla permanece mostrando lo mismo durante mucho tiempo, pueden surgir irregularidades en el brillo y otros problemas.

Ajuste del ahorro de energía automático

APS>***

- El ajuste por defecto es "30m".

La unidad se apagará automáticamente si no se carga ningún disco o si la reproducción permanece parada durante una determinada cantidad de tiempo.

30m

30 minutos

60m

60 minutos

90m

90 minutos

120m

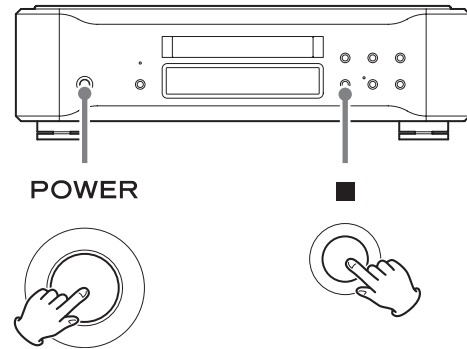
120 minutos

OFF

La función de ahorro de energía automático está desactivada.

Los ajustes se conservan incluso aunque se desconecte la unidad de la corriente eléctrica.

Siga este procedimiento para restablecer todos los ajustes a sus valores predeterminados de fábrica por defecto y borrar la memoria de la unidad.



Pulse el botón POWER mientras mantiene pulsado el botón de parada (■) de la unidad principal.

Si tiene un problema con esta unidad, por favor dedique un momento a revisar la información que le proporcionamos a continuación antes de solicitar servicio técnico. Es más, el problema podría estar causado por algún motivo ajeno a esta unidad. Por favor, asegúrese del correcto funcionamiento de las unidades conectadas. Si aun así este producto no funciona correctamente, póngase en contacto con el distribuidor donde lo compró.

La unidad no se enciende.

- ➔ Confirme que el cable de corriente está bien conectado, tanto a la entrada de la parte posterior de esta unidad como a la toma de electricidad.
- ➔ Confirme que la toma de electricidad a la que está conectado el cable de corriente funciona correctamente, por ejemplo enchufando otro dispositivo.

La unidad se apaga automáticamente.

- ➔ Esto sucede porque la función de ahorro de energía automático la ha apagado. Pulse el botón POWER de la unidad principal para encenderla. Cambie el ajuste de la función de ahorro de energía automático si es necesario (página 82).

El mando a distancia no funciona.

- ➔ Encienda la unidad principal (página 72).
- ➔ Si las pilas están gastadas, cambie las dos por otras nuevas (página 71).
- ➔ El mando a distancia no funcionará si hay algún obstáculo entre él y la unidad principal. Apunte con el mando a distancia hacia el panel frontal de la unidad a una distancia no superior a 7 metros (página 71).

Otro dispositivo electrónico no funciona correctamente.

- ➔ Es posible que algunos dispositivos electrónicos con funciones de control remoto inalámbrico no funcionen bien como consecuencia del uso del mando a distancia de esta unidad.

No es posible la reproducción.

- ➔ Cargue el disco correctamente en el centro de la bandeja.
- ➔ Si el disco está al revés, vuelva a cargarlo con el lado rotulado hacia arriba.
- ➔ Si el disco está sucio, límpielo (página 65).
- ➔ Si hay condensación dentro de la unidad, enciéndala y déjela encendida durante una o dos horas (página 84).

La unidad no responde cuando se pulsan los botones.

- ➔ Múltiples pulsaciones de botones seguidas pueden hacer que la unidad deje de responder. Después de pulsar un botón, espere un momento hasta que la unidad responda.

Hay ruido.

- ➔ Aleje la unidad lo más posible de televisiones y otros aparatos con fuerte magnetismo.

No sale sonido por los altavoces. El sonido está distorsionado.

- ➔ Compruebe las conexiones con el convertidor D/A, el amplificador y los altavoces (página 66).
- ➔ Cambie el ajuste de terminal/formato de salida de acuerdo con el tipo de terminal que se esté utilizando (página 80).
- ➔ Ajuste el volumen del amplificador y de los restantes dispositivos.
- ➔ Si el disco está sucio, límpielo (página 65).
- ➔ Cuando la reproducción está en pausa no hay sonido. Pulse el botón de reproducción (▶) para reanudar la reproducción normal.

No se puede emitir el audio digital de un Super Audio CD.

- ➔ Para que salga el audio digital de un Super Audio CD, debe utilizar un convertidor D/A ESOTERIC (Grandioso D1, D-02, D-05, D-03, D-01, D-02X, D-05X o D-07X).

El indicador CLOCK continúa parpadeando y no se queda iluminado fijo normalmente.

- ➔ Si no se está introduciendo una señal de reloj, ajuste el modo de reloj en "OFF" (página 81).
- ➔ Puede que se esté introduciendo una señal con la que esta unidad no se puede sincronizar. Compruebe la conexión del terminal CLOCK SYNC IN y los ajustes de configuración del dispositivo conectado.

"CLOCK!" aparece en la pantalla.

- ➔ Hay un problema con el ajuste de configuración de reloj o con una conexión. Consulte "Ajuste del modo de reloj" en la página 81 para la configuración de reloj y "Realizar las conexiones" en la página 66 para las conexiones.

"TRAY!" aparece en la pantalla cuando se abre y se cierra la bandeja de disco.

- ➔ "TRAY!" aparece en la pantalla si hay algo delante de la bandeja de disco bloqueándola, si el disco no está correctamente cargado o si la bandeja se detiene durante la apertura o el cierre. Después de eliminar la causa, pulse el botón de bandeja OPEN/CLOSE (▲) para que la bandeja vuelva a su posición original.

Esta unidad utiliza un microprocesador, por lo que ruidos u otras interferencias externas podrían hacer que dejase de funcionar correctamente. En tal caso, apague la unidad y espere aproximadamente un minuto antes de volver a reiniciar el funcionamiento.

Nota sobre la condensación

Si traslada esta unidad de un ambiente frío en el exterior a una habitación cálida, o si la calefacción acaba de encenderse en la habitación donde está ubicada, por ejemplo, podría producirse condensación en piezas operativas o en las lentes, provocando un funcionamiento anómalo. Si esto sucede, deje la unidad encendida y espere una o dos horas. Así debería restablecerse la reproducción con normalidad.

Tipos de discos compatibles

Super Audio CD, CD, CD-R, CD-RW

Salida digital

Terminales ES-LINK 1 par (L: izda./R: dcha.)

Terminales XLR 1 par (L: izda./R: dcha.)

- Durante la salida Dual AES, se usa un terminal para el canal izquierdo y el otro para el derecho (Lch y Rch respectivamente).

Terminal RCA 1

Entrada de reloj

Terminal BNC 1

Impedancia de entrada 50 Ω

Frecuencias que pueden introducirse... 44,1 kHz, 88,2 kHz, 176,4 kHz
10 MHz, 22,5792 MHz (± 10 ppm)

Nivel de entrada

Onda rectangular equivalente a niveles TTL

Onda senoidal de 0,5 a 1 Vrms

General

Alimentación

Modelo para Europa CA 220–240 V, 50/60 Hz

Modelo para EE. UU./Canadá CA 120 V, 60 Hz

Modelo para Corea CA 220 V, 60 Hz

Consumo de corriente 16 W

Dimensiones externas (ancho \times alto \times profundo) (incluidos salientes)
445 \times 131 \times 359 mm

Peso 13,5 kg

Temperatura de funcionamiento de +5 $^{\circ}$ C a +35 $^{\circ}$ C

Humedad de funcionamiento de 5 % a 85 % (sin condensación)

Temperatura de almacenamiento de –20 $^{\circ}$ C a +55 $^{\circ}$ C

Accesorios incluidos

Cable de corriente \times 1

Cable HDMI \times 1

Mando a distancia (RC-1301) \times 1

Pilas para el mando a distancia (AAA) \times 2

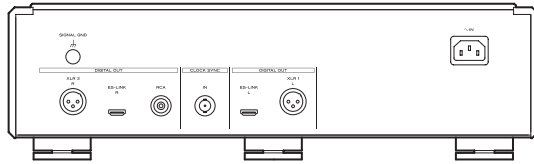
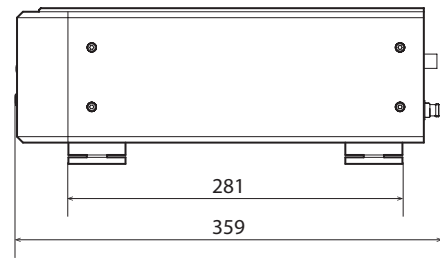
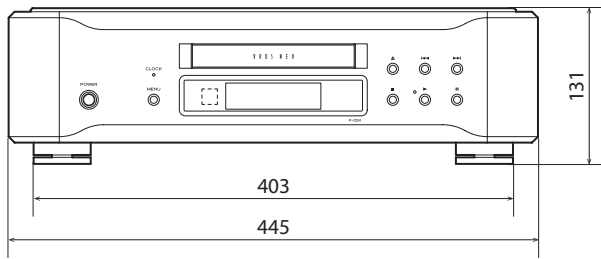
Almohadillas de fieltro \times 3

Manual del usuario (este documento) \times 1

Tarjeta de garantía \times 1

- Las ilustraciones de este manual pueden diferir ligeramente de los modelos de producción.
- El peso y las dimensiones son aproximados.
- El diseño y las especificaciones están sujetos a cambios sin previo aviso.

Dibujos con las dimensiones



Dimensiones en milímetros (mm)

ESOTERIC

TEAC CORPORATION

1-47 Ochiai, Tama-shi, Tokyo 206-8530, Japan Phone: +81-42-356-9156

TEAC AUDIO EUROPE

Gutenbergstr. 3, 82178 Puchheim, Germany Phone: +49-8142-4208-141

This appliance has a serial number located on the rear panel. Please record the serial number and retain it for your records.

Model name: P-05X

Serial number _____

0417 MA-2380A