

ESOTERIC

Grandioso K1X

Super Audio CD Player

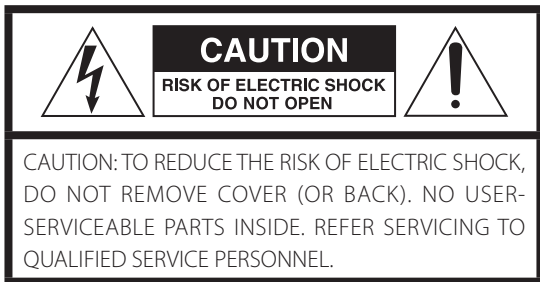
OWNER'S MANUAL..... 3

MODE D'EMPLOI..... 33

MANUAL DEL USUARIO..... 63



IMPORTANT SAFETY INSTRUCTIONS



The lightning flash with arrowhead symbol, within an equilateral triangle, is intended to alert the user to the presence of uninsulated "dangerous voltage" within the product's enclosure that may be of sufficient magnitude to constitute a risk of electric shock to persons.



The exclamation point within an equilateral triangle is intended to alert the user to the presence of important operating and maintenance (servicing) instructions in the literature accompanying the appliance.

WARNING: TO PREVENT FIRE OR SHOCK HAZARD, DO NOT EXPOSE THIS APPLIANCE TO RAIN OR MOISTURE.

CAUTION

- DO NOT REMOVE THE EXTERNAL CASES OR CABINETS TO EXPOSE THE ELECTRONICS. NO USER SERVICEABLE PARTS ARE INSIDE.
- IF YOU ARE EXPERIENCING PROBLEMS WITH THIS PRODUCT, CONTACT THE STORE WHERE YOU PURCHASED THE UNIT FOR A SERVICE REFERRAL. DO NOT USE THE PRODUCT UNTIL IT HAS BEEN REPAIRED.
- USE OF CONTROLS OR ADJUSTMENTS OR PERFORMANCE OF PROCEDURES OTHER THAN THOSE SPECIFIED HEREIN MAY RESULT IN HAZARDOUS RADIATION EXPOSURE.

- 1) Read these instructions.
- 2) Keep these instructions.
- 3) Heed all warnings.
- 4) Follow all instructions.
- 5) Do not use this apparatus near water.
- 6) Clean only with dry cloth.
- 7) Do not block any ventilation openings. Install in accordance with the manufacturer's instructions.
- 8) Do not install near any heat sources such as radiators, heat registers, stoves, or other apparatus (including amplifiers) that produce heat.
- 9) Do not defeat the safety purpose of the polarized or grounding-type plug. A polarized plug has two blades with one wider than the other. A grounding type plug has two blades and a third grounding prong. The wide blade or the third prong are provided for your safety. If the provided plug does not fit into your outlet, consult an electrician for replacement of the obsolete outlet.
- 10) Protect the power cord from being walked on or pinched particularly at plugs, convenience receptacles, and the point where they exit from the apparatus.

- 11) Only use attachments/accessories specified by the manufacturer.

- 12) Use only with the cart, stand, tripod, bracket, or table specified by the manufacturer, or sold with the apparatus. When a cart is used, use caution when moving the cart/apparatus combination to avoid injury from tip-over.



- 13) Unplug this apparatus during lightning storms or when unused for long periods of time.

- 14) Refer all servicing to qualified service personnel. Servicing is required when the apparatus has been damaged in any way, such as power-supply cord or plug is damaged, liquid has been spilled or objects have fallen into the apparatus, the apparatus has been exposed to rain or moisture, does not operate normally, or has been dropped.

- The apparatus draws nominal non-operating power from the AC outlet with its POWER or STANDBY/ON switch not in the ON position.
- The mains plug is used as the disconnect device; the disconnect device shall remain readily operable.
- Caution should be taken when using earphones or headphones with the product because excessive sound pressure (volume) from earphones or headphones can cause hearing loss.

WARNING

Products with Class **I** construction are equipped with a power supply cord that has a grounding plug. The cord of such a product must be plugged into an AC outlet that has a protective grounding connection.

IN USA/CANADA, USE ONLY ON 120V SUPPLY.

CAUTION

- Do not expose this apparatus to drips or splashes.
- Do not place any objects filled with liquids, such as vases, on the apparatus.
- Do not install this apparatus in a confined space such as a book case or similar unit.
- The apparatus should be located close enough to the AC outlet so that you can easily reach the power cord plug at any time.
- If the product uses batteries (including a battery pack or installed batteries), they should not be exposed to sunshine, fire or excessive heat.
- CAUTION for products that use replaceable lithium batteries: there is danger of explosion if a battery is replaced with an incorrect type of battery. Replace only with the same or equivalent type.

IMPORTANT SAFETY INSTRUCTIONS (continued)

Precautions concerning batteries

Misuse of batteries could cause them to rupture or leak leading to fire, injury or the staining of nearby things. Please read and observe the following precautions carefully.

- Be sure to insert the batteries with correct positive (⊕) and negative (⊖) orientations.
- Use batteries of the same type. Never use different types of batteries together.
- If the remote control is not used for a long time (more than a month), remove the batteries to prevent them from leaking.
- If the batteries leak, wipe away the leakage inside the battery compartment and replace the batteries with new ones.
- Do not use batteries of types other than those specified. Do not mix new batteries with old ones or use different types of batteries together.
- Do not heat or disassemble batteries. Never throw batteries into fire or water.
- Do not carry or store batteries with other metallic objects. The batteries could short circuit, leak or explode.
- Never recharge a battery unless it is confirmed to be a rechargeable type.

Laser information

This product contains a semiconductor laser system inside the cabinet and is classified as a "CLASS 1 LASER PRODUCT".

To prevent being exposed to the laser beam, do not try to open the enclosure.

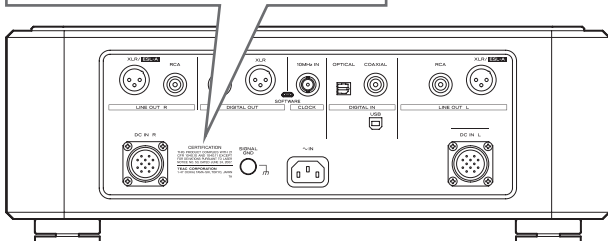
Laser:

Type:	RLD2WMFR1
Manufacturer:	ROHM Co.,Ltd.
Laser output:	Less than 0.7 mW on the objective lens
Wavelength:	790 ±15 nm (CD) 650 ±10 nm (Super Audio CD)

Model for USA

This product has been designed and manufactured according to FDA regulations "title 21, CFR, chapter 1, subchapter J, based on the Radiation Control for Health and Safety Act of 1968", and is classified as class **I** laser product. There is not hazardous invisible laser radiation during operation because invisible laser radiation emitted inside of this product is completely confined in the protective housings.

The label required in this regulation is as follows:



Supplier's Declaration of Conformity

Model number: Grandioso K1X

Trade name: ESOTERIC

Responsible party:

Pioneer & Onkyo U.S.A. Corporation

Address: 22828 Lockness Avenue, Torrance, CA 90501 U.S.A.

Telephone number: 1-201-785-2600

This device complies with Part.15 of FCC Rules.

Operation is subject to the following two conditions:

- 1) This device may not cause harmful interference
- 2) This device must accept any interference received, including interference that may cause undesired operation.

Information

This equipment has been tested and found to comply with the limits for a Class B digital device, pursuant to Part 15 of the FCC Rules. These limits are designed to provide reasonable protection against harmful interference in a residential installation. This equipment generates, uses, and can radiate radio frequency energy and, if not installed and used in accordance with the instructions, may cause harmful interference to radio communications. However, there is no guarantee that interference will not occur in a particular installation. If this equipment does cause harmful interference to radio or television reception, which can be determined by turning the equipment off and on, the user is encouraged to try to correct the interference by one or more of the following measures:

- Reorient or relocate the equipment and/or the receiving antenna.
- Increase the separation between the equipment and receiver.
- Connect the equipment into an outlet on a circuit different from that to which the receiver is connected.
- Consult the dealer or an experienced radio/TV technician for help.

CAUTION

Changes or modifications not expressly approved by the party responsible for compliance could void the user's authority to operate the equipment.

Model for Canada

Industry Canada's Compliance Statement:

This Class B digital apparatus complies with Canadian ICES-003.



Model for Europe



This product complies with the European Directives request, and the other Commission Regulations.

For European Customers

Disposal of electrical and electronic equipment and batteries and/or accumulators

- a) All electrical/electronic equipment and waste batteries/accumulators should be disposed of separately from the municipal waste stream via collection facilities designated by the government or local authorities.
- b) By disposing of electrical/electronic equipment and waste batteries/accumulators correctly, you will help save valuable resources and prevent any potential negative effects on human health and the environment.
- c) Improper disposal of waste electrical/electronic equipment and batteries/accumulators can have serious effects on the environment and human health because of the presence of hazardous substances in the equipment.
- d) The Waste Electrical and Electronic Equipment (WEEE) symbols, which show wheeled bins that have been crossed out, indicate that electrical/electronic equipment and batteries/accumulators must be collected and disposed of separately from household waste.  
If a battery or accumulator contains more than the specified values of lead (Pb), mercury (Hg), and/or cadmium (Cd) as defined in the Battery Directive (2006/66/EC, 2013/56/EU), then the chemical symbols **Pb, Hg, Cd** for those elements will be indicated beneath the WEEE symbol.
- e) Return and collection systems are available to end users. For more detailed information about the disposal of old electrical/electronic equipment and waste batteries/accumulators, please contact your city office, waste disposal service or the shop where you purchased the equipment.



The MQA logo is a trade mark of MQA Limited.

“DSD” is a registered trademark.

“Super Audio CD” is a registered trademark.

This product incorporates copy protection technology that is protected by U.S. patents and other intellectual property rights of Rovi Corporation. The use of Rovi Corporation’s copy protection technology in the product must be authorized by Rovi Corporation.

Reverse engineering and disassembly are prohibited.

Microsoft and Windows are either registered trademarks or trademarks of Microsoft Corporation in the United States and/or other countries.

Apple, Mac, OS X and macOS are trademarks of Apple Inc., registered in the U.S. and other countries.

Bulk Pet is a registered trademark of INTERFACE CO., LTD.

ESOTERIC is a trademark of TEAC CORPORATION, registered in the U.S. and other countries.

Other company names, product names and logos in this document are the trademarks or registered trademarks of their respective owners.

Information about copyrights and licenses related to open source software is included at the end of this document.

Thank you for purchasing this ESOTERIC product.
Read this manual carefully to get the best performance from this product. After reading it, keep it in a safe place with the warranty card for future reference.

ATTENTION

This unit outputs analog and digital signals only from the currently selected analog and digital connector types.

Before use, make the analog and digital output settings.

See "Setting mode" on page 24, "Analog output setting" and "Digital output setting" on page 26.

IMPORTANT SAFETY INSTRUCTIONS	3
Before use	6
Precautions for use	7
Notes about discs	8
Notes about the remote control	9
Connections.	10
Remote control parts and functions.	12
Main unit parts and functions.	14
Display parts and functions.	15
Playback.	16
Selecting tracks.	18
Playback modes	19
Repeat playback.	20
Display	20
Dimmer	21
Changing the input source	21
Connecting with a computer and playing back audio files	22
Setting mode.	24
Settings 1.	25
Settings 2.	27
MQA (Master Quality Authenticated).	28
Troubleshooting.	28
Specifications.	31
Dimensional drawings.	32

Included accessories

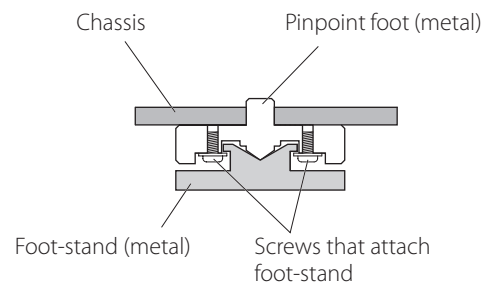
Check to be sure the box includes all the supplied accessories shown below. Please contact the store where you purchased this product if any of these accessories are missing or have been damaged during transportation.

- Power cord × 1
- Remote control (RC-1315) × 1
- Batteries for remote control (AAA) × 2
- Felt pads × 4
- Caps (for DC IN) × 2
- Owner's manual (this document) × 1
- Warranty card × 1

Note about pinpoint feet

High-precision metal pinpoint feet are attached firmly to the bottom plate of this unit.

The stands for these feet are loose, but when the unit is placed in position, it is supported by these pinpoint feet, which will effectively disperse vibrations.



- Apply the included felt pads to the bottoms of the foot-stands to avoid scratching the surface where the unit is placed.

Precautions for use

- This unit is very heavy, so take care to avoid injury during installation.
- Do not install this unit in a location that could become hot. This includes places that are exposed to direct sunlight or near a radiator, heater, stove or other heating equipment. Moreover, do not place it on top of an amplifier or other equipment that generates heat. Doing so could cause discoloration or deformation.
- In order to enable good heat dissipation, leave at least 20 cm (8") between this unit and walls and other equipment when installing it. If you put it in a rack, take precautions to prevent overheating by leaving at least 5 cm (2") open above the top of the unit and at least 10 cm (4") open behind the unit. Failure to provide these gaps could cause heat to build up inside and result in fire.
- If installing in a rack with a glass door, do not use the remote control tray OPEN/CLOSE (▲) button to open the disc tray when the door is closed. If the disc tray is forcibly prevented from moving, damage could result.
- Place the unit in a stable location.
- Do not place anything on top of the unit.
- Do not lift or move the unit during playback because the disc rotates at high speed. Doing so could damage the disc.
- Always remove any loaded disc before moving this unit or packing it for installation in a different location, for example. Moving the unit with a disc inside could cause damage.
- The voltage supplied to the unit should match the voltage as printed on its back. If you are in any doubt regarding this matter, consult an electrician.
- Do not open the body of the unit as this might result in damage to the circuitry or cause electric shock. If a foreign object should get into the unit, contact your dealer.
- When removing the power plug from an outlet, always pull directly on the plug. Never pull on the cord itself.

Precaution when recording with a connected device

Some discs include signals to prevent copying. You cannot record the digital audio signal as is from a disc that has such copy-protection. (You can record the audio as an analog signal.)

Maintenance

Use a soft dry cloth to wipe the surface of the unit clean. For stubborn smudges, use a damp cloth that has been thoroughly wrung out to remove excess moisture.

- Never spray liquid directly on this unit.
- Do not wipe with chemical cleaning cloths, thinner or other chemical agents. Doing so could damage the surface.
- Avoid allowing rubber or plastic materials to touch the unit for long periods of time because they could damage the cabinet.



For your safety, disconnect the power cord from the outlet before cleaning.

Notes about discs

The following marks appear on disc labels and disc cases. This unit can play discs that have these marks without using an adapter. This unit cannot play discs that do not have these marks.

Types of discs that can be played on this unit and their marks



If you try to play any other type of disc with this unit, loud noises that could damage speakers or harm hearing might occur. Never try to play any type of disc other than those shown above.

- This unit cannot play DVD video, DVD audio, video CD, DVD-ROM and CD-ROM discs, for example.
- This unit might not be able to properly play Dual Discs, Copy Control CDs or other special CDs that do not conform to the Red Book CD standard. Operation and sound quality cannot be guaranteed when special discs are used in this unit. If playback of a special disc should cause trouble, contact the seller of the disc.

CD-R/CD-RW discs

This unit can play CD-R/CD-RW discs that are in audio CD format.

- Be sure to finalize discs created by CD recorders.

Depending on the quality of the disc and the condition of the recording, playback might not be possible. For details, see the operation manual for the device you are using.

Handling discs

- Load discs with their labeled sides up.
(CDs only have one playable side.)
- To remove a disc from its case, always press down on the center of the case first and then hold the disc by its edges.

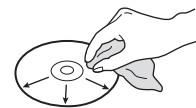
Removal from case



Holding by edges



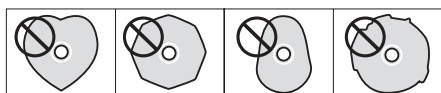
- Be careful when handling discs. If the side that contains the data (unlabeled side) is scratched, smudged with fingerprints or otherwise dirty or marred, errors could occur during playback.
- If the side of the disc that has the data encoded on it (unlabeled side) becomes dirty with fingerprints or dust, use a soft cloth to wipe the surface from the center directly toward the edge. Always clean discs before storing them. Leaving a disc in an unclean state might degrade its sound quality.



- Never use record cleaners, antistatic treatments, thinners or similar chemicals to clean discs. Such chemicals could harm the surface of the disc.
- Do not leave discs in places that are exposed to direct sunlight or that are very humid or hot.
- When writing something on the label side of a disc, use a felt-tip permanent marker. The use of a ballpoint pen or other pen with a hard tip could damage the disc, making it unplayable.
- After you finish playing a disc, always put it back into its case for storage. Failure to do so could result in warping or scratches.
- Do not apply labels or other materials to discs. Do not use a disc that has sticky residue left on its surface after removing tape or a sticker, for example. If such a disc is loaded, it might become stuck in the unit or damage the unit.

Notes about the remote control

- Never use commercially-available CD stabilizers. Doing so could make the disc unplayable or damage the unit.
- Do not use cracked discs because they could damage the unit.
- Never use discs with irregular shapes, including heart-shaped and octagonal discs, because they could damage the unit.



- Do not use printable discs, which allow printing on the label side. Since the surface of such a disc has been specially treated, if loaded, it might become stuck in the unit or damage the unit.

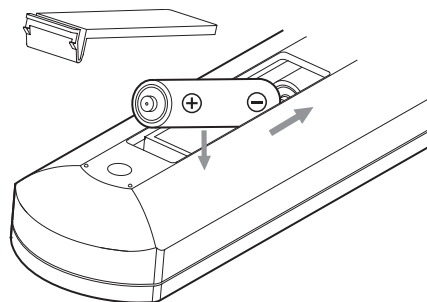
If you have any questions about how to handle a CD-R or CD-RW disc, contact the manufacturer of the disc directly.

Precautions when using the remote control

- When using the remote control, point it toward the remote control signal receiver on the main unit from a distance of 7 m (23 ft) or less. Do not place obstructions between the main unit and the remote control.
- The remote control might not work if the remote control signal receiver is exposed to direct sunlight or bright light.
- Beware that use of this remote control could cause the unintentional operation of other devices that can be controlled by infrared rays.

Installing batteries

Remove the cover from the back of the remote control and insert two AAA batteries with their \oplus/\ominus oriented as shown in the case. Replace the cover.



When to replace batteries

If the distance required between the remote and the main unit decreases or if the main unit stops responding to the remote buttons, replace both batteries with new ones.

Dispose of the used batteries according to the instructions on them or requirements set by your local municipality.

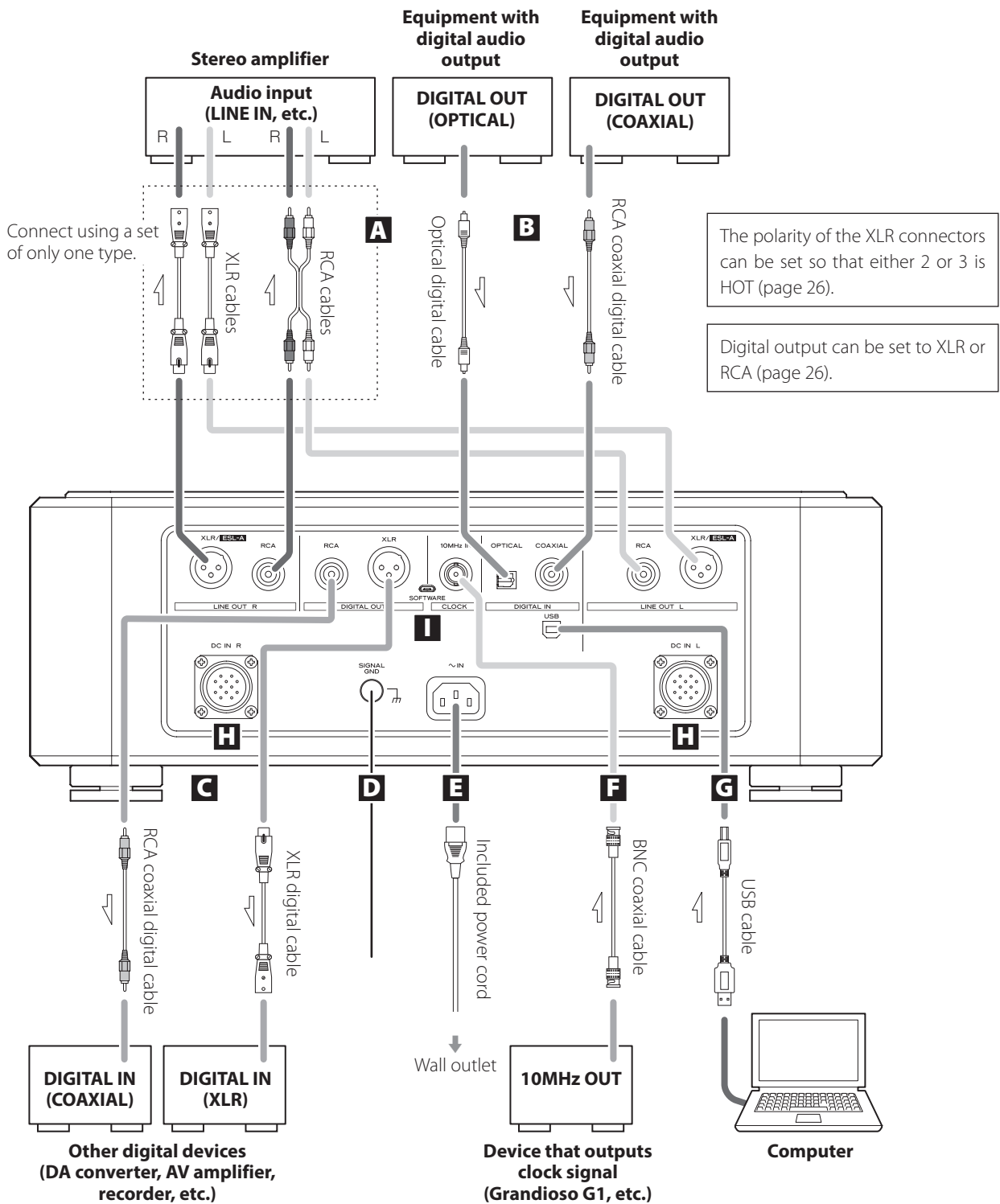
Precautions concerning batteries

Misuse of batteries could cause them to rupture or leak, which might result in fire, injury or the staining of nearby materials. Please read and observe the precautions on page 4 carefully.

Connections

⚠ Precautions when making connections

- After completing all other connections, plug the power plug into a power outlet.
- Read the owner's manuals of all devices that will be connected, and follow their instructions.



A Analog audio output (LINE OUT) connectors

These output 2-channel analog audio. Connect the XLR or RCA connectors to an amplifier.

Use commercially-available cables for connections.

XLR/ESL-A: XLR cables

RCA: RCA cables

Connect this unit's R connector to the R connector of the amplifier, and its L connector to the L connector of the amplifier.

- Set the analog output to XLR2, XLR3, RCA, ESLA or OFF (page 26).
- When connecting this unit with an amplifier that has ES-LINK Analog (ESL-A) connectors, we recommend connecting the XLR connectors on this unit to the ES-LINK Analog (ESL-A) connectors on the amplifier (page 12).

B Digital audio input (DIGITAL IN) connectors

Use to input digital audio signals. They can be connected to the digital output connectors of appropriate audio devices.

Use commercially-available cables for connections.

COAXIAL: RCA coaxial digital cable

OPTICAL: optical digital cable (TOS)

C Digital audio output (DIGITAL OUT) connectors

These output digital audio signals from CDs played on this unit and signals input through this unit's digital audio input (DIGITAL IN) connectors.

Connect the digital audio output (DIGITAL OUT) connectors on this unit to the digital audio input connectors of other digital devices, such as a DA converter, AV amplifier or recorder.

Use commercially-available cables for connections.

XLR: XLR digital cable

RCA: RCA coaxial digital cable

- These connectors cannot output Super Audio CD digital audio.
- Digital output can be set to OFF, XLR or RCA (page 26).

D SIGNAL GND grounding terminal

The audio quality might be improved by connecting this grounding terminal to an amplifier or other device that is connected to this unit.

- This is not a safety grounding terminal.

E AC power inlet (~IN)

Connect the included AC power cord to this AC inlet.

After completing all other connections, plug the power plug into a power outlet.



Use only a genuine ESOTERIC power cord. Use of other power cords could result in fire or electric shock.



Disconnect the power plug from the outlet if you will not use the unit for a long time.

F CLOCK 10MHz IN connector

Use to input 10MHz clock synchronization signals.

When using clock synchronization, connect the clock output connector of the device outputting the clock signal to the clock input connector on this unit. Then, set the external clock (CLK<>) setting to SYNC (page 25).

Use a commercially-available BNC coaxial cable for connection.

- BNC coaxial cables with 50Ω or 75Ω impedance can be used.

G USB port

Use to input digital audio from a computer. Connect it to a computer's USB port.

Use a commercially-available USB cable for connection.

- Before connecting, read pages 22 to 23.

H DC IN connectors

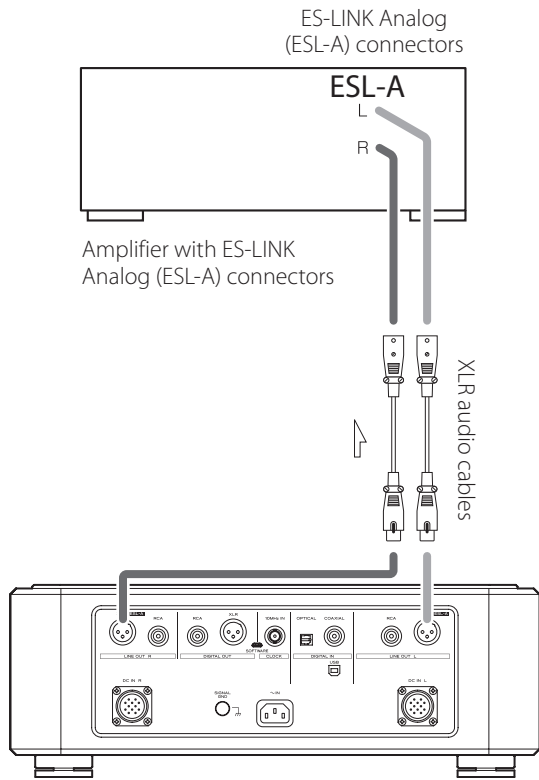
These are for connecting external power units designed for the Grandioso K1X.

Do not connect anything other than the specified equipment.

I SOFTWARE (maintenance) port

This is used for maintenance. Do not connect anything to this port unless instructed to do so by our service department.

Connecting using ES-LINK Analog



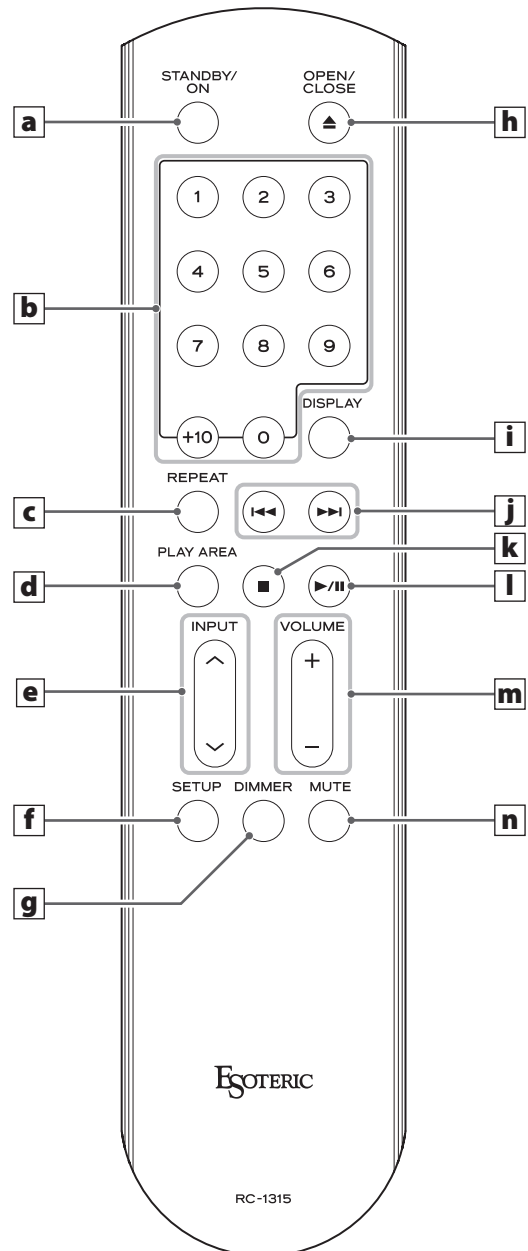
Use XLR audio cables to connect the analog audio output (XLR/ESL-A) connectors on this unit to an amplifier that has ES-LINK Analog (ESL-A) connectors.

- Set this unit's analog output (AOUT) to ESLA.
- You can also connect using XLR or RCA connectors. Select the connection type that provides the audio quality you prefer.

ES-LINK Analog overview

Using a current transmission method that utilizes the high-performance of an HCLD buffer circuit, which boasts the ability to supply strong current at high speed, the effects of impedance on the signal path are suppressed and transmitting signals purely and powerfully is possible.

- Ordinary balanced cables (with XLR connectors) are used for connection. These connectors can only be used with compatible devices, however, because the transmission format is unique.



If both the main unit and the remote control have buttons with the same function, we only explain procedures using one of them in this manual. However, the other can also be used in the same manner.

a STANDBY/ON button

This button is not used with this unit.

b Number buttons

Use for track selection and program playback (pages 18 and 19).

c REPEAT button

Use for repeat playback (page 20).
Press and hold this to change the playback mode (page 19).

d PLAY AREA button

When stopped, press to change the playback area of a Super Audio CD (page 17).

e INPUT buttons (^/∨)

These buttons are not used with this unit. They can be used to switch the inputs of ESOTERIC amplifiers.

f SETUP button

This button is not used with this unit. It can be used with other ESOTERIC products, including amplifiers.

g DIMMER button

Use to adjust the brightness of the main unit's display (page 21).

h Tray OPEN/CLOSE (▲) button

Press to open and close the disc tray (page 17).

i DISPLAY button

During playback or when paused, press this button to change what is shown on the display (page 20).

j Skip (|◀◀/▶▶|) buttons

Use to skip to the previous or next track (page 18).
Press and hold for at least one second during playback to search backward/forward. Repeatedly press and hold for at least one second to change the backward/forward search speed (page 18).

Use to change parameters when in setting mode (page 24).

k Stop (■) button

Press to stop playback (page 17).

l Play/pause (▶/||) button

Press when stopped or paused to start playback (page 17).
Press during playback to pause (page 17).

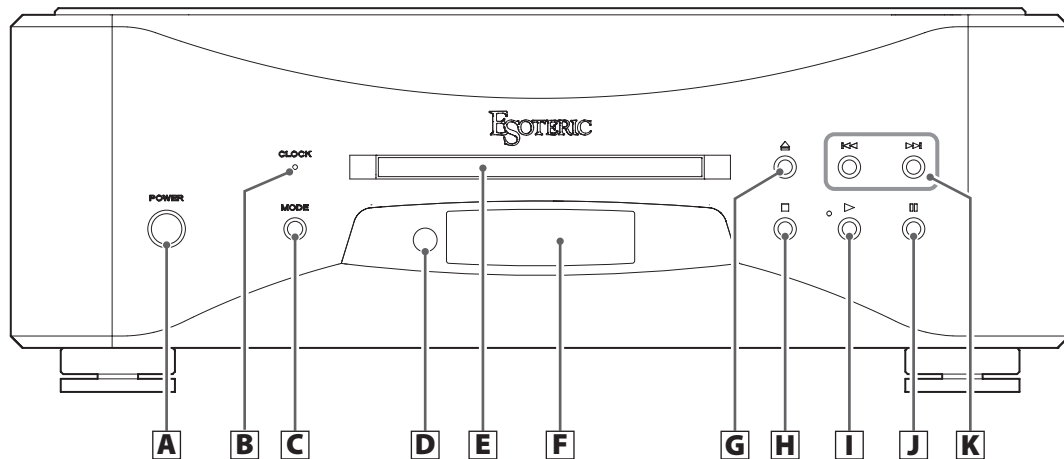
m VOLUME (+/-) buttons

These buttons are not used with this unit. They can be used with other ESOTERIC products, including amplifiers.

n MUTE button

This button is not used with this unit. It can be used to mute ESOTERIC amplifiers.

Main unit parts and functions



A POWER button

Press to turn the unit on and off.
When the unit is on, the ring around the button lights.
When the unit is off, it is unlit.

When not using the unit, turn it off.

B CLOCK indicator

This shows the clock synchronization status.
This indicator blinks during clock synchronization and lights when synchronization completes.

C MODE button

When stopped, press this button to change the input source.
When set to external input, the unit can be used as a D/A converter (page 21).
Press and hold for two or more seconds to change to setting mode (page 24).

D Remote control signal receiver

This receives signals from the remote control. When using the remote control, point the end of it toward this receiver panel (page 9).

E Disc tray

Load a disc for playback here (page 16).

F Display

This shows the playback time, the number of tracks and other information (page 20).

G Tray open/close (▲) button

Press to open and close the disc tray.

H Stop (■) button

Press to stop playback (page 17).
When stopped, press and hold for at least two seconds to change the playback area of a Super Audio CD (page 17).
Press when in setting mode to complete changing settings and show the ordinary display (page 24).

I Play (▶) button

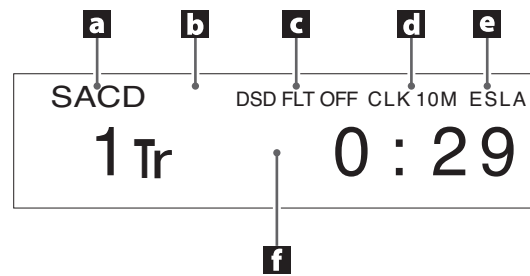
Press to start disc playback (page 16).
During playback, the indicator next to this button lights.

J Pause (||) button

Press to pause playback (page 17).
When paused, the indicator next to the play button blinks.

K Skip (◀◀/▶▶) buttons

Use to skip to the previous or next track.
Press and hold for at least one second during playback to search backward/forward. Repeatedly press and hold for at least one second to change the backward/forward search speed (page 18).
Use to change parameters when in setting mode (page 24).



a Disc type

This shows the type of disc that is currently loaded.

SACD: Super Audio CD
CD: Audio CD

- When a hybrid Super Audio CD is loaded, the playback area type is shown (page 17).

b Playback/repeat mode

This shows the playback/repeat mode (pages 19 and 20).

c Information

During Super Audio CD playback or DSD signal input

This shows the DSD filter setting (page 27).

During music CD playback or PCM signal input

No indicator:

The upconversion function is not in use.

DSD DIRECT:

If DSDF (DSD filter) is set to OFF, this appears when a DSD signal is input.

UPCONV:

The upconverter circuit will upconvert the signal before digital to analog conversion.

- The upconversion multiple is shown to the right of UPCONV (page 25).

UPCONV DSD:

The upconverter circuit will convert the PCM signal to a DSD signal before digital to analog conversion.

During MQA-CD playback or MQA file input

This shows MQA information.

d Clock mode

This shows the external clock setting (page 25).

No indicator:

When CLK is set to OFF

CLK10M:

Shown when CLK is set to SYNC

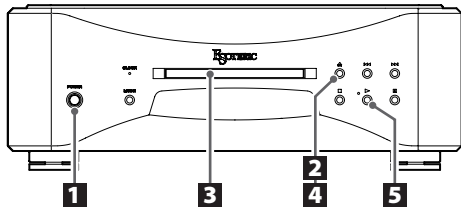
e Analog output setting

This shows the analog output (AOUT) setting (XLR2, XLR3, RCA or ESLA).

Nothing appears when set to OFF.

f Message area

The playback time and various messages appear here.



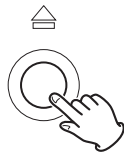
1 Press the POWER button to turn the unit on.

POWER



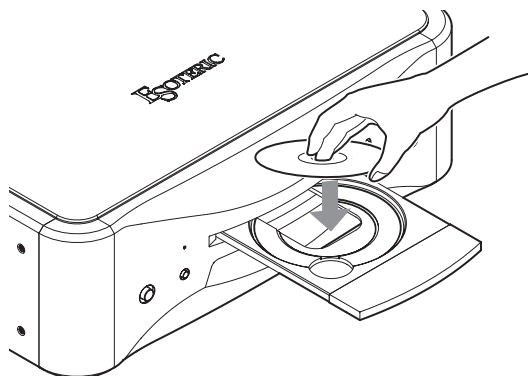
Keep pressing and holding until the ring around the POWER button lights.

2 Press the tray open/close (▲) button.



The disc tray comes forward.

3 Place a disc centered on the tray with the labeled side up.



- If the tray is closed while a disc is outside the center guides, the disc might become stuck inside and the tray might not open. Be sure to always place discs within the guides at the center of the tray.

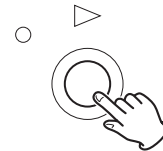
4 Press the tray open/close (▲) button.



The disc tray closes. Be careful not to let your fingers be pinched when the tray closes.

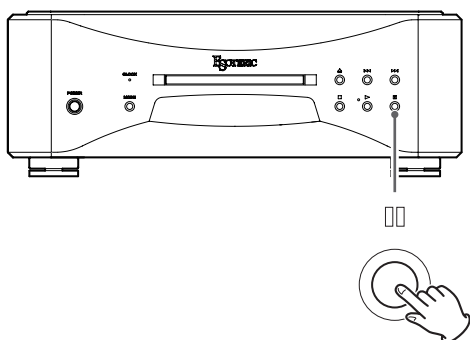
- The unit takes some time to load the disc.
- The disc playback area can be changed (page 17).

5 Press the play (▶) button.



Playback starts.
During playback, the indicator near this button lights.

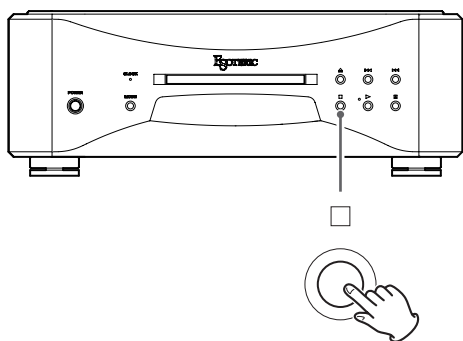
Pausing playback



During playback, press the pause (■) button to pause playback. When paused, the indicator next to the play (▶) button blinks.

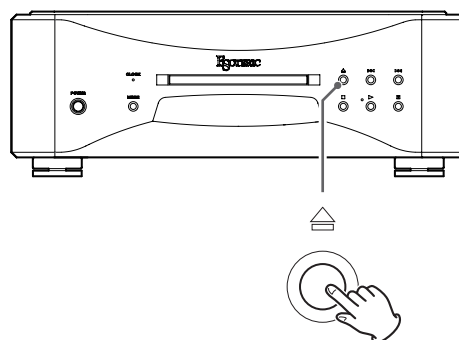
Press the play (▶) or pause (■) button to restart playback.

Stopping playback



Press the stop (■) button to stop playback.

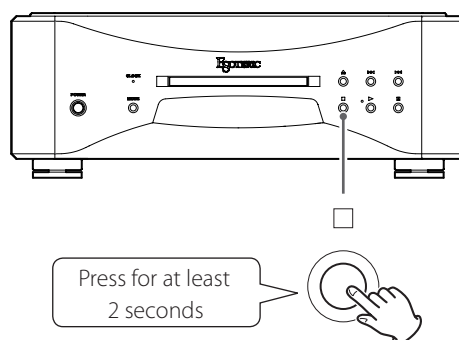
Opening and closing the disc tray



Press the tray open/close (▲) button once to open the tray, and press it again to close the tray.

- If you press the tray open/close (▲) button during disc playback, several seconds will pass before the tray opens.

Changing the playback area

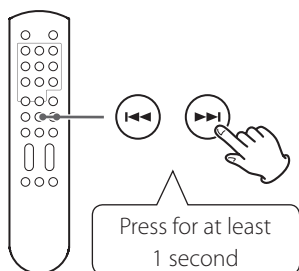


Some Super Audio CDs have multiple areas, including stereo (2-channel) and multichannel. Hybrid Super Audio CDs have two layers with one containing ordinary CD-quality audio. When stopped, press the stop (■) button for at least two seconds to change the playback area.

- To change the playback area using the remote control, press the PLAY AREA button when the unit is stopped.
- This unit does not support the playback of multichannel areas on Super Audio CDs.

Selecting tracks

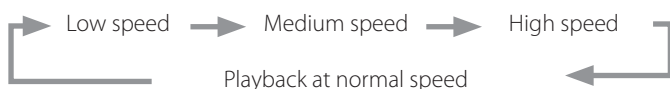
Searching backward/forward



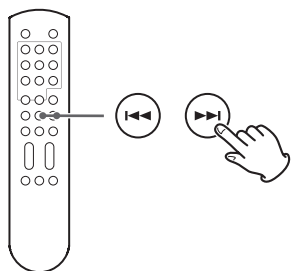
During playback, press and hold a skip (I◀◀/▶▶I) button (for at least one second) until searching backward/forward starts. When you find the point where you want to listen, press the play (▶) button on the main unit or the play/pause (▶/||) button on the remote control.

You can change the backward/forward search speed by repeatedly pressing and holding the skip (I◀◀/▶▶I) button (for at least one second each time).

The speed that the < or > blinks on the display also changes.



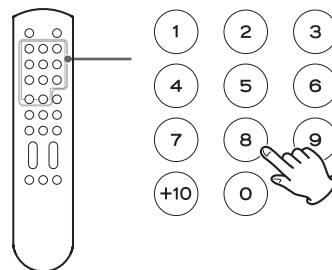
Skipping tracks



During playback, press a skip (I◀◀/▶▶I) button to skip to the previous or next track and start playback.

- Press the I◀◀ button once to return to the beginning of the current track. Press the I◀◀ button repeatedly to return to an earlier track. If the playback position is less than one second from the beginning of the current track, however, pressing the I◀◀ button will skip to the beginning of the previous track.
- When stopped or paused, use the skip I◀◀/▶▶I buttons to select a track and pause at its beginning.

Using the number buttons to select a track for playback



When playing or stopped, you can press number buttons to select a track and start playing it back.

To play a track with a single-digit number, press that number button. To play a double-digit track number, press the +10 button as many times as necessary, and then press the corresponding number button for the second digit. After the track number is input, playback starts.

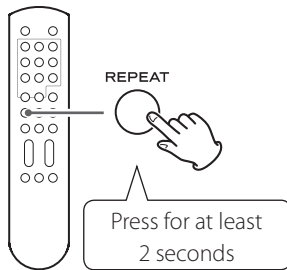
Examples:

Track 7: (7)

Track 23: (+10) ⇒ (+10) ⇒ (3)

Changing playback modes

When stopped, press the REPEAT button for at least two seconds to change the playback mode.



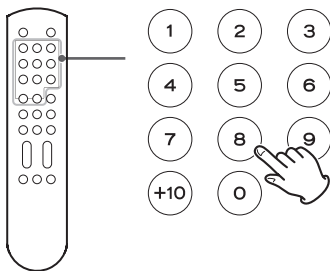
- Pressing the tray open/close (▲) button or main unit POWER button will reset the mode to ordinary playback.

Program playback

You can program up to 24 tracks in the order that you want to listen to them.

1 Set the playback mode to program playback.

2 Use number buttons to select tracks you want to program.

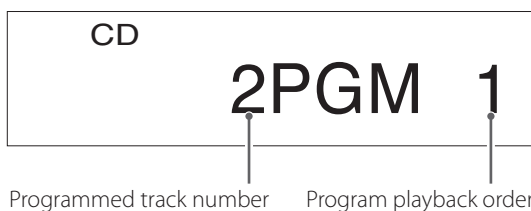


Examples:

Track 3: (3)

Track 12: (+10) ⇒ (2)

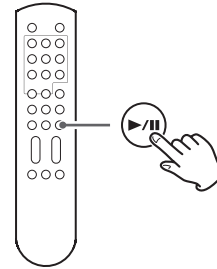
Track 20: (+10) ⇒ (+10) ⇒ (0)



To program multiple tracks, continue pressing the number buttons.

- Track numbers that do not exist on the currently loaded disc cannot be added to the program.

3 When you are done adding tracks to the program, press the play/pause (▶/||) button.



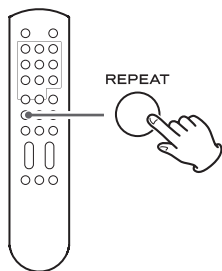
Program playback starts.

- Changing the playback mode will clear the contents of the program.

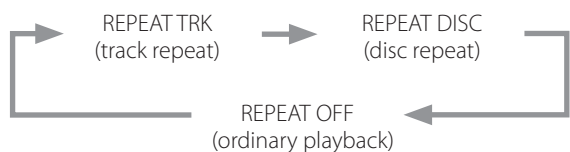
Shuffle playback

When the playback mode is set to shuffle, pressing the play/pause (▶/||) button will play the tracks on the disc in shuffle order.

Repeat playback



During ordinary playback, press the REPEAT button to cycle through the following repeat modes.



During program playback, press the REPEAT button to cycle through the following repeat modes.



During shuffle playback, press the REPEAT button to cycle through the following repeat modes.



- Stopping playback ends repeat playback mode.

REPEAT TRK

The current track is played back repeatedly. During repeat playback, select a different track to repeat playback of that track.

REPEAT DISC

All tracks on the current disc are played back repeatedly.

REPEAT PGM

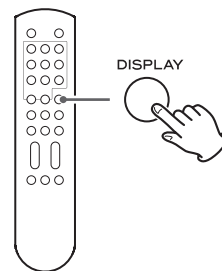
The programmed tracks are played back repeatedly.

REPEAT SHF

Shuffle playback is repeated.

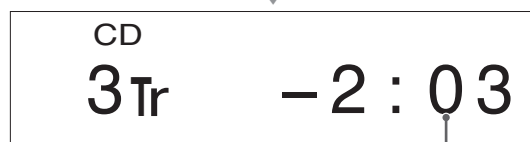
- Every time all tracks have played back once, their order will be reshuffled.

Display



During disc playback and when paused, each time the DISPLAY button is pressed, the information shown on the display changes as follows.

Examples:

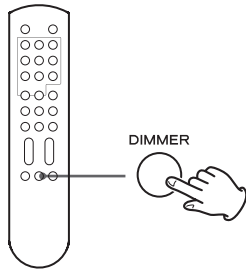


- When stopped, the total number of tracks and total playback time of the disc are shown.

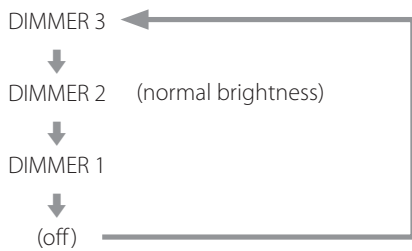
Example:



Dimmer

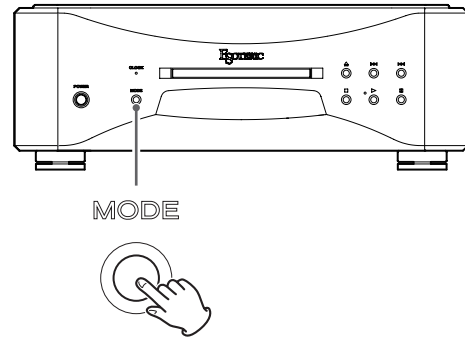


You can adjust the brightness of the main unit's display.

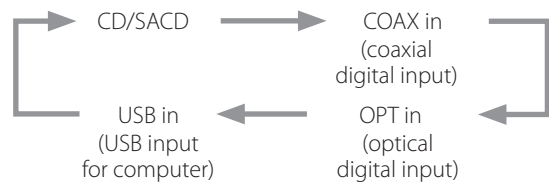


- Even when the dimmer is off, the display will light at normal brightness for about three seconds when you press the play/pause (▶/⏸) or another button.
- Even when set to DIMMER 1 or off, setting menus and error messages will be shown with normal brightness (DIMMER 2).

Changing the input source



When stopped, press the MODE button repeatedly to cycle through the following input sources.



- This unit can be used as a D/A converter when its input source is set to an external digital input (COAX in, OPT in or USB in).
- When an external digital input (COAX in, OPT in, USB in) is selected, the name and sampling frequency of the selected input appear on the display. If there is no input signal or the unit is not synchronized to the input signal, the input sampling frequency is not shown and the input name blinks.
- If the input signal is not a digital audio signal or uses an audio signal format that is not supported by this unit (such as Dolby Digital, DTS or AAC) "--" appears in place of the sampling frequency. Set the digital output of the connected equipment to PCM audio output.
- When an external input (COAX in, OPT in, USB in) is selected, disc controls other than the tray open/close (▲) button do not function.

Connecting with a computer and playing back audio files

Supported operating systems

This unit can be connected by USB and used with a computer running one of the following operating systems.

Operation with other operating systems cannot be assured (as of August 2019).

When using Mac

OS X Lion (10.7)
OS X Mountain Lion (10.8)
OS X Mavericks (10.9)
OS X Yosemite (10.10)
OS X El Capitan (10.11)
macOS Sierra (10.12)
macOS High Sierra (10.13)
macOS Mojave (10.14)

When using Windows

Windows 7 (32/64-bit)
Windows 8 (32/64-bit)
Windows 8.1 (32/64-bit)
Windows 10 (32/64-bit)

Installing the driver

When using Mac

This unit can be operated with the standard OS driver, so there is no need to install a driver.

A dedicated driver must be installed on the computer, however, to use Bulk Pet.

When using Windows

To use this unit for playback of files on a computer, install the dedicated driver on the computer.

Installing the driver on a computer

Install the dedicated driver software on the computer after downloading it from the following URL.

For detailed instructions about installing the driver, please also see the following URL.

<https://www.esoteric.jp/en/product/k1x/download>

IMPORTANT NOTICE

You must install the dedicated driver software before connecting this unit with a computer using a USB cable.

If you connect the unit to the computer by USB before installing the driver, it will not function properly.

Depending on the composition of the computer hardware and software, operation might not be possible even with the above operating systems.

Note about transmission modes

This unit connects using Isochronous or Bulk Pet mode.

The sampling frequencies that can be transmitted are 44.1 kHz, 48 kHz, 88.2 kHz, 96 kHz, 176.4 kHz, 192 kHz, 352.8 kHz, 384 kHz, 705.6 kHz and 768 kHz. 2.8MHz, 5.6MHz, 11.2MHz and 22.5MHz DSD are also supported.

- 22.5MHz DSD is only supported with DSD Native playback. It is not supported with DoP (DSD Audio over PCM Frames) playback.

When connected correctly, you will be able to select "ESOTERIC USB AUDIO DEVICE" as the audio output for the operating system.

Audio data sent from the computer will be processed using this unit's clock during data transmission, enabling reduction of jitter.

Downloading playback application ESOTERIC HR Audio Player

You can use ESOTERIC HR Audio Player to play audio files on a computer. Please download this free application from the following URL.

https://www.esoteric.jp/en/product/hr_audio_player

ESOTERIC HR Audio Player is a software audio player for Windows and Mac that supports high-quality playback of high-resolution audio sources. You can use it to enjoy the high-quality playback of high-resolution audio sources, including DSD, without needing to make complicated settings.

ESOTERIC HR Audio Player setting note

To play 22.5MHz DSD recordings with ESOTERIC HR Audio Player, open the Configure window and set the "Decode mode" to "DSD Native."

To play formats other than 22.5MHz DSD, you can set this to either "DSD over PCM" or "DSD Native" as you like.

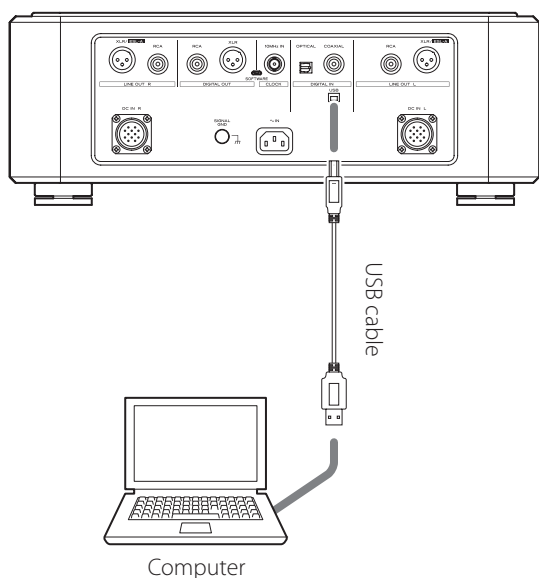
For details, see "Selecting DSD decoding mode" in the ESOTERIC HR Audio Player Owner's Manual.

Playing audio files

1 Connect this unit to the computer using a USB cable.

Use a cable with a connector that matches that of this unit.

- The USB port on this unit is a B-type connector.



2 Turn the computer on.

Confirm that the operating system has started properly.

3 Press the POWER button to turn the unit on.



4 Press the MODE button repeatedly to select "USB in" (page 21).



5 Start playback of an audio file on the computer.

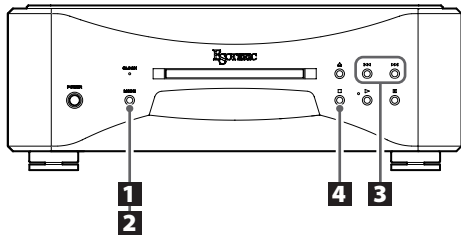
For better audio quality, set the computer volume to its maximum and adjust the volume of the amplifier connected to this unit. Set the amplifier volume to the minimum when you start playback and gradually increase it.

- The computer cannot be used to control this unit, nor can this unit be used to control the computer.
- This unit cannot transmit audio files to the computer by USB.
- Do not do any of the following when playing back audio files over the USB connection. Doing so could cause the computer to malfunction. Always quit the audio playback software before conducting any of these operations.
 - Unplug the USB cable
 - Turn this unit off
 - Change the input
- Computer operation sounds will also be transmitted when playing back audio files over the USB connection. To avoid outputting these sounds, make the necessary settings on your computer.
- If you start the audio playback software before connecting this unit with the computer or before setting the input to "USB in", audio files might not play back properly. If this occurs, restart the audio playback software or restart the computer.

Setting mode

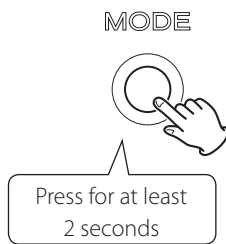
The settings for this unit are divided into two groups: Settings 1 and Settings 2.

The Settings 1 or Settings 2 group will be shown depending on how the MODE button is pressed.



Changing settings

1 When stopped or during playback, press the MODE button for at least two seconds.



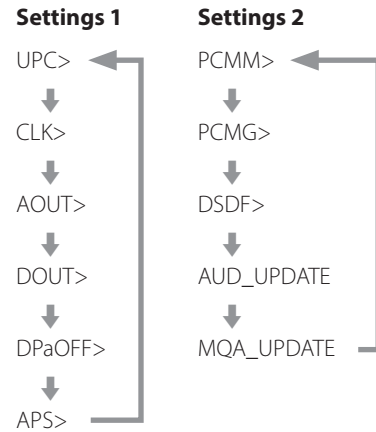
Settings 1 will be shown.

To show Settings 2, press the MODE button again for at least two seconds while Settings 1 is shown.

2 Press the MODE button repeatedly to select the item to change.

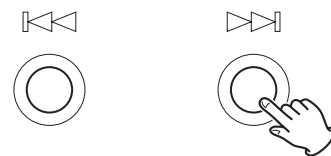


Each time you press the MODE button, the item shown on the display changes as follows.



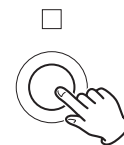
- Depending on the selected source and operation status, some items might not appear.
- If you do nothing for ten or more seconds, setting mode will end and ordinary display will resume. However, setting mode will not end when Settings 2 AUD_UPDATE or MQA_UPDATE is in use.

3 Use the skip (|◀◀/▶▶|) buttons to change settings.



To change multiple items, repeat steps **2** and **3**.

4 Press the Stop (■) button.



Setting mode will end and the ordinary display will reappear.

- Setting mode will also end and the ordinary display will reappear if nothing is done for ten seconds. However, setting mode will not end when Settings 2 AUD_UPDATE or MQA_UPDATE is in use.
- Settings are retained even if the power plug is disconnected.

PCM signal upconversion setting

UPC>***

PCM signals from CD playback or from an external digital input (COAX in, OPT in, USB in) can be upconverted or converted to DSD signals.

- By default, the setting is ORG.
- This setting can be made for each input.
- During Super Audio CD playback, the DSD signal is sent as is to the D/A converter without being upconverted.

ORG

Upconversion will not occur.

- The input signal is sent as is to the D/A converter without being upconverted.

2Fs

When PCM signals with frequencies of less than 88.2 kHz are input, they are upconverted before being converted from digital to analog.

4Fs

When PCM signals with frequencies of less than 176.4 kHz are input, they are upconverted before being converted from digital to analog.

8Fs

When PCM signals with frequencies of less than 352.8 kHz are input, they are upconverted before being converted from digital to analog.

16Fs

When PCM signals with frequencies of less than 705.6 kHz are input, they are upconverted before being converted from digital to analog.

DSD

Signals are converted to DSD before being converted from digital to analog.

External clock setting

CLK>***

Use this to set synchronization with an external clock.

- By default, the setting is OFF.
- Set this to OFF when connected to a source device, other than USB input, that does not support clock synchronization.

OFF

Clock synchronization is not used. The unit will operate with the clock of the input digital signal.

The built-in oscillator will be used with USB input. The CLOCK indicator will not light.

SYNC

In this mode, the unit is synchronized with the 10MHz clock signal input through its CLOCK 10MHz IN connector from a clock generator.

The CLOCK indicator lights. The CLOCK indicator blinks when in the process of synchronizing or unable to synchronize.

- The clock frequency that can be input is 10 MHz. The input audio signal and the input clock signal must be synchronized.
- Be aware that during music playback, if the clock generator is turned off or the BNC coaxial cable that is supplying the 10MHz clock signal is disconnected, causing the clock signal to stop, a loud noise could be emitted from the speakers.

Analog output setting

AOUT>***

Use this to select the analog output connector to be used.

- By default, the setting is XLR2.

XLR2

Analog audio signals are output through the XLR connectors with pin 2 HOT.

XLR3

Analog audio signals are output through the XLR connectors with pin 3 HOT.

RCA

Analog audio signals are output through the RCA connectors.

ESLA

Analog audio signals are output as ES-LINK Analog (ESL-A) through the XLR connectors.

- These connections use ordinary XLR cables, but the signals are transmitted in a unique format, so this setting should only be used with compatible devices.
- See page 12 for more about ES-LINK Analog (ESL-A).

OFF

Analog outputs are disabled and the D/A converter is turned off.

Digital output setting

DOUT>***

Use this to select the digital output connector to be used.

- By default, the setting is OFF.
- The signal is output without upconversion.
- During Super Audio CD playback, this is automatically set to off.

OFF

Digital audio is not output.

XLR

The CD digital audio signal is output from the XLR DIGITAL OUT connector.

RCA

The CD digital audio signal is output from the RCA DIGITAL OUT connector.

Automatic display darkening setting

DPaOFF>***

Use this to set the display to darken automatically.

- By default, the setting is ON.
- If the OEL display is left on with the same indication for a long time, brightness irregularities can occur. For this reason, we recommend that you set the automatic display darkening function to ON.

ON

If no operation is conducted for ten minutes, the display automatically turns off.

OFF

The display will not turn off automatically.

- If no operation is conducted for ten minutes, the display will dim to DIMMER 1 brightness to protect it from excessive wear.

Automatic power saving setting

APS>***

If there is no input from the selected input source for the set time, the power will turn off automatically.

- By default, the setting is 30m.
- The input sources that are not selected have no effect on automatic power saving.

30m

30 minutes

60m

60 minutes

90m

90 minutes

120m

120 minutes

OFF

The automatic power saving function is disabled.

PCM signal D/A conversion mode setting

PCMM>***

This sets the D/A conversion mode for PCM signals from CD playback or from an external digital input (COAX in, OPT in, USB in).

Set it as desired.

- By default, the setting is M1.

M1

Mode 1 is used for D/A conversion of PCM input signals.

M2

Mode 2 is used for D/A conversion of PCM input signals.

M3

Mode 3 is used for D/A conversion of PCM input signals.

PCM output gain setting

PCMG>***

Use this to set the gain for PCM signal playback. This can be used to reduce the volume difference between PCM and DSD signal playback.

Set it as necessary.

- By default, the setting is FULL.

FULL

The gain is not adjusted.

LOW

PCM signal gain is reduced from the original setting before output. Use when the volume of PCM signals during playback seem loud compared to DSD signals.

DSD filter setting

DSDF>***

Use to set the digital filter during DSD playback. Set it as desired.

- By default, the setting is OFF.

OFF

No digital filter is used.

F1

Digital filter 1 is used.

F2

Digital filter 2 is used.

F3

Digital filter 3 is used.

Audio program update setting

AUD_UPDATE

Use to update the audio signal processing program of the unit.

See the explanation included with the update program for details about how to update.

MQA update setting

MQA_UPDATE

Use to update the MQA signal processing program.

See the explanation included with the update program for details about how to update.

MQA is an award-winning British technology that delivers the sound of the original master recording. The master MQA file is fully authenticated and is small enough to stream or download.

Visit mqa.co.uk for more information.

The Grandioso K1X includes MQA technology, which enables you to play back MQA audio files and streams, delivering the sound of the original master recording.

'MQA' or 'MQA.' indicates that the product is decoding and playing an MQA stream or file, and denotes provenance to ensure that the sound is identical to that of the source material. "MQA." indicates it is playing an MQA Studio file, which has either been approved in the studio by the artist/producer or has been verified by the copyright owner.

If you experience a problem with this product, please take a moment to review the following information before requesting service. Moreover, the problem might be caused by something other than this unit. Please also check the operation of the connected units.

If this product still does not operate correctly, contact the retailer where you purchased it.

General

The unit does not turn on.

- ➔ Insert the power plug into an outlet.
- ➔ Check the connection of the power cord to this unit.
- ➔ Confirm that power is being supplied to the outlet to which the power cord is connected by, for example, connecting another device to it.

The unit automatically turns off.

- ➔ This is because the automatic power saving function turned the unit off.
Press the POWER button on the main unit to turn it on.
Change the automatic power saving setting if necessary (page 26).

Remote control does not work.

- ➔ Turn the main unit on (page 16).
- ➔ If the batteries are exhausted, replace both of them with new ones (page 9).
- ➔ The remote control will not work if there are obstructions between it and the main unit. Point the remote control at the front panel of the unit from a distance of less than about 7 m (23 ft) (page 9).

A television or other device is operating improperly.

- ➔ The use of this unit's remote control might cause some televisions and other devices with wireless remote control functions to operate incorrectly.

Cannot play back a CD or Super Audio CD.

- ➔ Press the MODE button repeatedly to select "CD/SACD" (page 21).
- ➔ Load the disc correctly. If the disc is upside down, reload it with the labeled side up.
- ➔ If the disc is dirty, wipe it clean (page 8).
- ➔ If condensation has occurred inside this unit, turn it on and leave it for one to two hours (page 30).

The unit does not respond when buttons are pressed.

- ➔ Multiple button presses without pause can cause the main unit to stop responding. After pressing a button, wait momentarily for the main unit to respond.

There is noise.

- ➔ Place the unit as far away as possible from TVs and other devices that have strong magnetism.

No sound is output from the speakers. The sound is distorted.

- ➔ Check the connections with the amp and the speakers (page 10).
- ➔ Adjust the volume of the amplifier and other devices.
- ➔ If the disc is dirty, wipe it clean (page 8).
- ➔ Super Audio CD digital audio cannot be output from the digital audio output (DIGITAL OUT) connectors.
- ➔ No sound is output when playback is paused. Press the play (▶) button to resume ordinary playback.
- ➔ Check the analog output setting (page 26).

Digital recording is not possible on connected external equipment.

- ➔ You cannot record the digital audio signal as is from a disc that has such copy-protection.

Noticeable difference in volume between CDs and Super Audio CDs.

- ➔ You might notice volume differences between ordinary CDs and Super Audio CDs. This is the result of differences between their data recording methods, mastering and authoring.

Clock sync**The CLOCK indicator does not stop blinking.**

- ➔ Set CLK> to OFF when not using clock sync.
- ➔ A clock signal to which the unit cannot synchronize might be being input. Check the connections of the clock connectors and the settings of connected devices. This unit only supports 10MHz clock.

A cyclical noise is being output.

- ➔ If a cyclical noise is being output when the unit is in clock sync mode, the connected device might not also be in clock sync mode. Check the connection status of the clock connectors and the clock settings of the connected device.

USB connections with a computer**Computer does not recognize this unit.**

- ➔ See page 22 for information about supported operating systems. Operation with unsupported operating systems is not guaranteed.

There is noise.

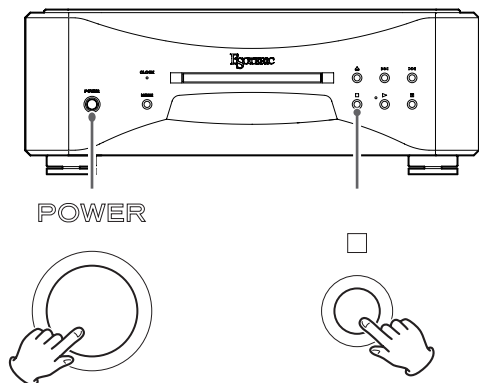
- ➔ Starting other applications during playback of an audio file may interrupt playback or cause noise. Do not start other applications during playback.
- ➔ When the unit is connected to a computer via a USB hub, for example, noise might be heard. If this occurs, connect the unit directly to the computer.

Audio files cannot be played back.

- ➔ Connect the computer with this unit and switch to "USB in" before starting the audio playback software and audio file playback. Audio data might not play back correctly if you connect this unit with the computer or change its input to "USB in" after starting the audio playback software.

Since this unit uses a microcontroller, external noise and other interference can cause the unit to malfunction. If this occurs, turn the unit off and wait about one minute before restarting operation from the beginning.

Restoring factory settings



Settings are retained even if the power plug is disconnected.

Follow these procedures to restore the factory default settings and erase all changes in memory.

1 Turn the unit off.

If the unit is on, press the POWER button to turn it off and wait for more than 30 seconds.

2 Press the POWER button while holding down the stop (■) button on the main unit.

Release the stop (■) button when "Setup CLR" (setup clear) appears on the display.

Note about condensation

If this unit is brought from a cold outdoor environment into a warm room, or the heater has just been turned on in the room where it is located, for example, condensation might occur on operating parts or lenses, resulting in improper operation. If this occurs, leave the unit on and wait one to two hours. This should enable normal playback.

Playable disc types

Super Audio CD, CD (including CD-R and CD-RW)

Analog audio outputs

XLR.....	1 pair (L/R)
Output impedance.....	40 Ω
Maximum output level.....	5.0 Vrms
RCA.....	1 pair (L/R)
Output impedance.....	15 Ω
Maximum output level.....	2.5 Vrms
Audio performance (when Super Audio CD at 0 dB, DSDF is F2, XLR output)	
Frequency response.....	5 Hz to 75 kHz (–3 dB)
S/N ratio.....	113 dB
Distortion.....	0.0007% (1 kHz)

Digital audio outputs

XLR.....	1
RCA.....	1

Digital audio inputs

COAXIAL.....	1
Input impedance.....	75 Ω
OPTICAL.....	1
USB-B (USB 2.0 supported).....	1

Clock input

BNC.....	1
Input impedance.....	50 Ω
Frequencies that can be input (± 10 ppm).....	10 MHz
Input level.....	0.5 to 1.0 Vrms (sine wave)

General

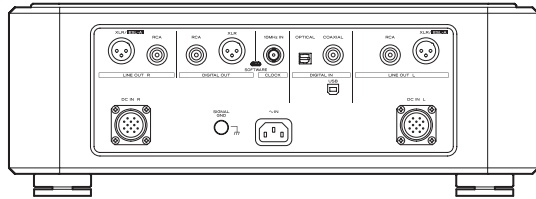
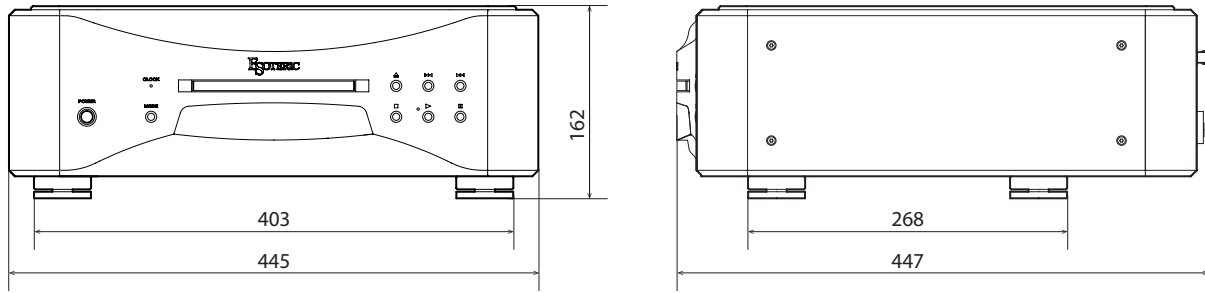
Power supply	
Model for Europe.....	AC 220–240 V, 50/60 Hz
Model for USA/Canada.....	AC 120 V, 60 Hz
Model for Korea.....	AC 220 V, 60 Hz
Model for Hong Kong.....	AC 230 V, 50 Hz
Power consumption.....	30 W
External dimensions (W \times H \times D, including protrusions)	
445 \times 162 \times 447 mm (17 5/8" \times 6 1/2" \times 17 5/8")	
Weight.....	35 kg (77 1/4 lb)
Operating temperature.....	+5°C to +35°C
Operating humidity range.....	5% to 85% (no condensation)
Storage temperature.....	–20°C to +55°C

Included accessories

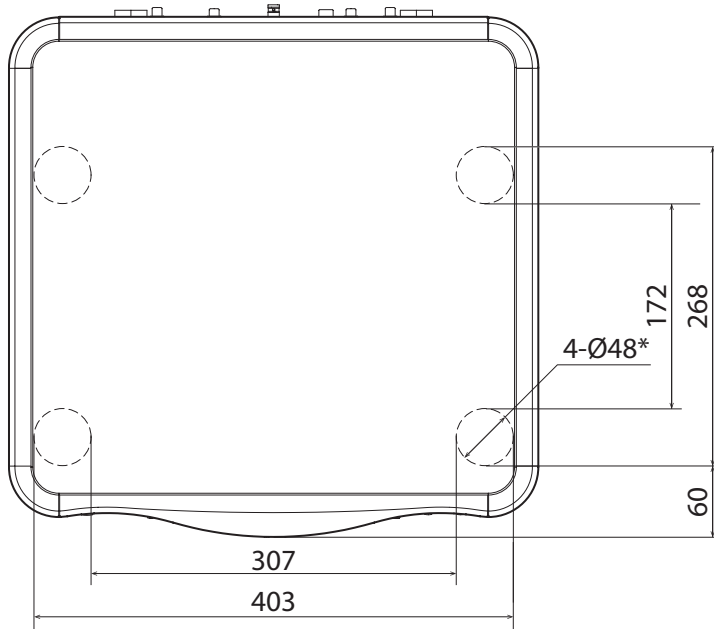
Power cord \times 1
Remote control (RC-1315) \times 1
Batteries for remote control (AAA) \times 2
Felt pads \times 4
Caps (for DC IN) \times 2
Owner's manual (this document) \times 1
Warranty card \times 1

- Specifications and appearance are subject to change without notice.
- Weight and dimensions are approximate.
- Illustrations in this Owner's Manual might differ slightly from production models.

Dimensional drawings



Foot placement diagram



Dimensions in millimeters (mm)
*48mm diameter feet x 4

INSTRUCTIONS DE SÉCURITÉ IMPORTANTES



Le symbole d'éclair à tête de flèche dans un triangle équilatéral sert à prévenir l'utilisateur de la présence dans l'enceinte du produit d'une « tension dangereuse » non isolée d'une grandeur suffisante pour constituer un risque d'électrocution pour les personnes.



Le point d'exclamation dans un triangle équilatéral sert à prévenir l'utilisateur de la présence d'instructions importantes de fonctionnement et de maintenance (entretien) dans les documents accompagnant l'appareil.

AVERTISSEMENT : POUR PRÉVENIR LES RISQUES D'INCENDIE ET D'ÉLECTROCUTION, N'EXPOSEZ PAS CET APPAREIL À LA PLUIE NI À L'HUMIDITÉ.

ATTENTION

- NE RETIREZ PAS LES CAPOTS EXTERNES OU BOÎTIERS POUR EXPOSER L'ÉLECTRONIQUE. AUCUNE PIÈCE INTERNE N'EST RÉPARABLE PAR L'UTILISATEUR.
- SI VOUS RENCONTREZ DES PROBLÈMES AVEC CE PRODUIT, CONTACTEZ LE MAGASIN OÙ VOUS AVEZ ACHETÉ L'UNITÉ. N'UTILISEZ PAS LE PRODUIT TANT QU'IL N'A PAS ÉTÉ RÉPARÉ.
- L'UTILISATION DE COMMANDES, DE RÉGLAGES OU LE SUIVI DE PROCÉDURES AUTRES QUE CE QUI EST DÉCRIT DANS CE DOCUMENT PEUT PROVOQUER UNE EXPOSITION À UN RAYONNEMENT DANGEREUX.

- 1) Lisez ces instructions.
- 2) Conservez ces instructions.
- 3) Tenez compte de tous les avertissements.
- 4) Suivez toutes les instructions.
- 5) N'utilisez pas cet appareil avec de l'eau à proximité.
- 6) Ne nettoyez l'appareil qu'avec un chiffon sec.
- 7) Ne bloquez aucune ouverture de ventilation. Installez-le conformément aux instructions du fabricant.
- 8) N'installez pas l'appareil près de sources de chaleur telles que des radiateurs, bouches de chauffage, poêles ou autres appareils (y compris des amplificateurs) dégageant de la chaleur.
- 9) Ne neutralisez pas la fonction de sécurité de la fiche polarisée ou de terre. Une fiche polarisée a deux broches, l'une plus large que l'autre. Une fiche de terre a deux broches identiques et une troisième broche pour la mise à la terre. La broche plus large ou la troisième broche servent à votre sécurité. Si la fiche fournie n'entre pas dans votre prise, consultez un électricien pour le remplacement de la prise obsolète.

10) Évitez de marcher sur le cordon d'alimentation et de le pincer, en particulier au niveau des fiches, des prises secteur, et du point de sortie de l'appareil.

11) N'utilisez que des fixations/accessoires spécifiés par le fabricant.

12) Utilisez-le uniquement avec des chariots, socles, trépieds, supports ou tables spécifiés par le fabricant ou vendus avec l'appareil. Si un chariot est utilisé, faites attention à ne pas être blessé par un renversement lors du déplacement de l'ensemble chariot/appareil.



13) Débranchez cet appareil en cas d'orage ou de non utilisation prolongée.

14) Confiez toute réparation à des techniciens de maintenance qualifiés. Une réparation est nécessaire si l'appareil a été endommagé d'une quelconque façon, par exemple si le cordon ou la fiche d'alimentation est endommagé, si du liquide a été renversé sur l'appareil ou si des objets sont tombés dedans, si l'appareil a été exposé à la pluie ou à l'humidité, s'il ne fonctionne pas normalement, ou s'il est tombé.

- L'appareil tire un courant nominal de veille de la prise secteur quand son interrupteur POWER ou STANDBY/ON n'est pas en position ON.
- La fiche secteur est utilisée comme dispositif de déconnexion et doit donc toujours rester disponible.
- Des précautions doivent être prises en cas d'utilisation d'écouteurs ou d'un casque avec le produit car une pression sonore excessive (volume trop fort) dans les écouteurs ou dans le casque peut causer une perte auditive.

AVERTISSEMENT

Les produits ayant une construction de Classe **I** sont équipés d'un cordon d'alimentation avec une fiche de terre. Le cordon d'un tel produit doit être branché dans une prise secteur avec terre de sécurité.

AUX USA/CANADA, UTILISEZ UNIQUEMENT UNE TENSION D'ALIMENTATION DE 120 V.

ATTENTION

- N'exposez pas cet appareil aux gouttes ni aux éclaboussures.
- Ne placez pas d'objet rempli de liquide sur l'appareil, comme par exemple un vase.
- N'installez pas cet appareil dans un espace confiné comme une bibliothèque ou un meuble similaire.
- L'appareil doit être placé suffisamment près de la prise de courant pour que vous puissiez à tout moment attraper facilement la fiche du cordon d'alimentation.
- Si le produit utilise des piles/batteries (y compris un pack de batteries ou des piles installées), elles ne doivent pas être exposées au soleil, au feu ou à une chaleur excessive.
- **PRÉCAUTION** pour les produits qui utilisent des batteries remplaçables au lithium : remplacer une batterie par un modèle incorrect entraîne un risque d'explosion. Remplacez-les uniquement par un type identique ou équivalent.

INSTRUCTIONS DE SÉCURITÉ IMPORTANTES (suite)

Précautions concernant les piles

Un mauvais emploi des piles peut entraîner leur rupture ou leur fuite, avec pour conséquence un incendie, des blessures ou la salissure des objets proches. Veuillez lire et suivre attentivement les précautions suivantes.

- Veillez à insérer les piles avec leurs pôles positif (⊕) et négatif (⊖) correctement orientés.
- Utilisez des piles du même type. N'utilisez jamais des types de pile différents ensemble.
- Si la télécommande doit rester inutilisée durant une période prolongée (plus d'un mois), retirez ses piles pour éviter qu'elles ne coulent.
- Si les piles coulent, essuyez le liquide dans le compartiment des piles et remplacez les piles par des neuves.
- N'utilisez pas de piles d'un type autre que celui spécifié. Ne mélangez pas des piles neuves avec des anciennes et n'utilisez pas ensemble des types de pile différents.
- Ne chauffez pas et ne démontez pas les piles. Ne jetez jamais les piles dans un feu ou dans de l'eau.
- Ne conservez et ne transportez pas les piles avec d'autres objets métalliques. Les piles pourraient entrer en court-circuit, couler ou exploser.
- Ne rechargez jamais une batterie sans avoir vérifié qu'elle peut l'être.

Informations sur le laser

Ce produit contient un système laser à semi-conducteur dans son boîtier et est répertorié comme « PRODUIT LASER DE CLASSE 1 ». Pour éviter d'être exposé au faisceau laser, n'essayez pas d'ouvrir le boîtier.

Laser :

Type :	RLD2WMFR1
Fabricant :	ROHM Co.,Ltd.
Puissance laser :	moins de 0,7 mW sur la lentille de l'objectif
Longueur d'onde :	790 ±15 nm (CD) 650 ±10 nm (Super Audio CD)

Modèle pour le Canada

Déclaration de conformité d'Industrie Canada :
CET APPAREIL NUMÉRIQUE DE LA CLASSE B EST CONFORME À LA
NORME NMB-003 DU CANADA



Modèle pour l'Europe



Ce produit est conforme aux directives européennes et aux autres réglementations de la Commission européenne.

Pour les consommateurs européens

Mise au rebut des équipements électriques et électroniques et des piles et/ou accumulateurs

- a) Tout équipement électrique/électronique et pile/accumulateur hors d'usage doit être traité séparément de la collecte municipale d'ordures ménagères dans des points de collecte désignés par le gouvernement ou les autorités locales.
- b) En vous débarrassant correctement des équipements électriques/électroniques et piles/accumulateurs hors d'usage, vous contribuerez à la sauvegarde de précieuses ressources et à la prévention de potentiels effets négatifs sur la santé humaine et l'environnement.
- c) Le traitement incorrect des équipements électriques/électroniques et piles/accumulateurs hors d'usage peut avoir des effets graves sur l'environnement et la santé humaine en raison de la présence de substances dangereuses dans les équipements.
- d) Le symbole de déchets d'équipements électriques et électroniques (DEEE), qui représente une poubelle à roulettes barrée d'une croix, indique que les équipements électriques/électroniques et piles/accumulateurs doivent être collectés et traités séparément des déchets ménagers. 
- Si une pile ou un accumulateur contient plus que les valeurs de plomb (Pb), mercure (Hg) et/ou cadmium (Cd) spécifiées dans la directive sur les piles et accumulateurs (2006/66/CE, 2013/56/UE), alors les symboles chimiques de ces éléments seront indiqués sous le symbole DEEE.  **Pb, Hg, Cd**
- e) Des systèmes de retour et de collecte sont disponibles pour l'utilisateur final. Pour des informations plus détaillées sur la mise au rebut des vieux équipements électriques/électroniques et piles/accumulateurs hors d'usage, veuillez contacter votre mairie, le service d'ordures ménagères ou le magasin dans lequel vous avez acquis l'équipement.



The MQA logo is a trade mark of MQA Limited.

"DSD" is a registered trademark.

"Super Audio CD" is a registered trademark.

This product incorporates copy protection technology that is protected by U.S. patents and other intellectual property rights of Rovi Corporation. The use of Rovi Corporation's copy protection technology in the product must be authorized by Rovi Corporation.

Reverse engineering and disassembly are prohibited.

Microsoft and Windows are either registered trademarks or trademarks of Microsoft Corporation in the United States and/or other countries.

Apple, Mac, OS X and macOS are trademarks of Apple Inc., registered in the U.S. and other countries.

Bulk Pet is a registered trademark of INTERFACE CO., LTD.

ESOTERIC is a trademark of TEAC CORPORATION, registered in the U.S. and other countries.

Les autres noms de société, noms de produit et logos présents dans ce document sont des marques commerciales ou déposées de leurs détenteurs respectifs.

Des informations sur les droits d'auteur et les licences concernant les logiciels libres (« open source ») se trouvent à la fin de ce document.

Nous vous remercions d'avoir choisi ce produit ESOTERIC. Lisez attentivement ce mode d'emploi pour tirer les meilleures performances de ce produit. Après l'avoir lu, gardez-le en lieu sûr avec la carte de garantie pour vous y référer ultérieurement.

ATTENTION

Cet appareil ne produit des signaux analogiques et numériques que par les types de connecteurs analogiques et numériques sélectionnés.

Avant l'utilisation, réglez donc les sorties analogiques et numériques.

Voir « Mode de réglage » en page 54, « Réglage de sortie analogique » et « Réglage de sortie numérique » en page 56.

INSTRUCTIONS DE SÉCURITÉ IMPORTANTES.....	33
Avant l'utilisation	36
Précautions d'emploi	37
Notes sur les disques	38
Notes à propos de la télécommande.....	39
Branchements.....	40
Parties et fonctions de la télécommande.....	42
Parties et fonctions de l'unité principale.....	44
Parties et fonctions de l'écran	45
Lecture	46
Sélection des pistes.....	48
Modes de lecture.....	49
Lecture en boucle (répétition)	50
Affichage.....	50
Atténuateur (Dimmer).....	51
Changement de la source d'entrée.....	51
Branchement d'un ordinateur et lecture de fichiers audio	52
Mode de réglage	54
Paramètres 1	55
Paramètres 2	57
MQA (Master Quality Authenticated).....	58
Guide de dépannage	58
Caractéristiques techniques.....	61
Schémas avec cotes	62

Accessoires fournis

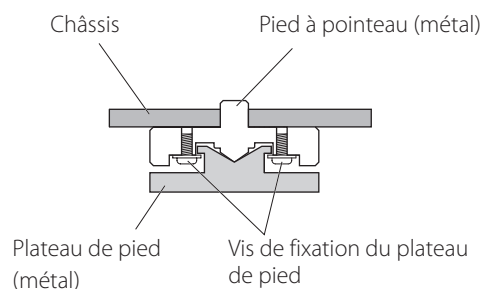
Vérifiez que vous disposez bien de tous les accessoires indiqués ci-dessous. Veuillez contacter le magasin dans lequel vous avez acheté ce produit si l'un de ces accessoires manque ou a été endommagé durant le transport.

- Cordon d'alimentation × 1
- Télécommande (RC-1315) × 1
- Piles pour télécommande (AAA) × 2
- Patins en feutre × 4
- Bouchons (pour prises DC IN) × 2
- Mode d'emploi (ce document) × 1
- Carte de garantie × 1

Note sur les pieds de découplage

Des pieds à pointe métallique de haute précision sont solidement fixés à la plaque inférieure de cette unité.

Leur plateau de protection n'est pas fixé de façon rigide, mais quand l'unité est posée à sa place, elle est soutenue par ces pieds à pointe, qui dispersent efficacement les vibrations.



- Fixez les patins de feutre fournis sous les pieds de protection pour éviter de rayer la surface sur laquelle est placée l'unité.

Précautions d'emploi

- L'unité est très lourde, aussi faites attention de ne pas vous blesser durant l'installation.
- N'installez pas cette unité dans un lieu qui pourrait chauffer. Cela comprend les endroits exposés directement au soleil ou près d'un radiateur, d'un chauffage, d'une cuisinière ou d'autres appareils chauffants. En outre, ne la placez pas au-dessus d'un amplificateur ou autre équipement dégageant de la chaleur. Cela pourrait causer une décoloration ou une déformation.
- Afin de permettre une bonne dissipation de la chaleur, laissez au moins 20 cm entre cette unité et les murs et les autres équipements lors de l'installation.
Si vous la placez dans un rack, prenez les précautions nécessaires pour éviter la surchauffe en laissant au moins 5 cm d'espace libre au-dessus de l'unité et au moins 10 cm derrière.
Ne pas laisser ces espaces peut faire monter la température au risque d'entraîner un incendie.
- En cas d'installation dans un rack à porte vitrée, n'utilisez pas la touche d'ouverture/fermeture de tiroir (▲) de la télécommande pour ouvrir le tiroir de disque si la porte du rack est fermée. Si les mouvements du tiroir de disque sont contrariés, des dommages peuvent en résulter.
- Placez l'unité dans un endroit stable.
- Ne placez rien sur l'unité.
- Ne soulevez pas et ne déplacez pas l'unité durant la lecture car le disque tourne à vitesse élevée. Cela pourrait endommager le disque.
- Retirez toujours tout disque chargé avant de déplacer cette unité ou de l'emballer pour par exemple l'installer à un autre endroit. Transporter cette unité avec un disque à l'intérieur peut causer des dommages.
- La tension du courant fourni à l'unité doit correspondre à la tension imprimée sur sa face arrière. Si vous avez des doutes à ce sujet, consultez un électricien.
- N'ouvrez pas le boîtier de l'unité car cela peut endommager les circuits ou causer un choc électrique. Si un objet étranger pénètre dans l'unité, consultez votre revendeur.
- Quand vous débranchez la fiche d'alimentation d'une prise secteur, tirez toujours directement sur la fiche. Ne tirez jamais sur le cordon lui-même.

Précaution pour l'enregistrement avec un appareil connecté

Certains disques comprennent des signaux empêchant la copie. Vous ne pouvez pas enregistrer tel quel le signal audio numérique d'un disque protégé contre la copie.
(Vous pouvez enregistrer le signal audio fourni sous forme analogique.)

Entretien

Utilisez un chiffon sec et doux pour nettoyer la surface de l'unité. Pour les taches tenaces, utilisez un chiffon humide soigneusement essoré afin d'éliminer l'excès d'humidité.

- Ne vaporisez jamais du liquide directement sur cette unité.
- N'utilisez pas de lingettes de nettoyage imbibées de produit chimique, de diluant ou d'autres agents chimiques. Cela pourrait endommager la surface.
- Évitez un contact prolongé de l'unité avec des matériaux caoutchouteux ou plastiques car ceux-ci peuvent endommager le boîtier.



Pour votre sécurité, débranchez le cordon d'alimentation de la prise secteur avant tout nettoyage.

Notes sur les disques

Les logos suivants apparaissent sur les disques et les boîtiers de disque. Cette unité peut lire des disques portant ces logos sans l'aide d'un adaptateur.

Cette unité ne peut pas lire les disques qui n'ont pas ces logos.

Types de disque lisibles par cette unité et leurs logos



Si vous essayez de lire tout autre type de disque avec cette unité, des bruits forts risquant d'endommager les enceintes et d'altérer votre audition peuvent être produits. N'essayez jamais de lire un type de disque autre que ceux indiqués ci-dessus.

- Cette unité ne peut pas lire de DVD vidéo, DVD audio, CD vidéo, DVD-ROM et CD-ROM, par exemple.
- Cette unité peut être dans l'incapacité de lire correctement les disques doubles (Dual), les CD à dispositif anti-copie ou autres CD spéciaux qui ne se conforment pas à la norme CD Red Book. Le fonctionnement et la qualité sonore ne peuvent pas être garantis si des disques spéciaux sont utilisés dans cette unité. Si la lecture d'un disque spécial cause des problèmes, contactez le vendeur du disque.

CD-R/CD-RW

Cette unité peut lire les CD-R/CD-RW qui sont au format CD audio.

- Veillez à finaliser les disques créés au moyen d'enregistreurs de CD.

Selon la qualité du disque et les conditions de son enregistrement, la lecture peut ne pas être possible. Pour des détails, voir le mode d'emploi de l'appareil que vous utilisez.

Manipulation des disques

- Chargez les disques avec leur face imprimée vers le haut. (Les CD n'ont qu'une seule face lisible.)
- Pour sortir un disque de son boîtier, commencez toujours par appuyer sur le centre du boîtier puis saisissez le disque par sa tranche.

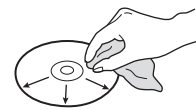
Sortie du boîtier



Maintien par le bord

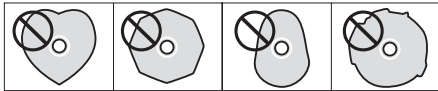


- Faites attention lors de la manipulation des disques. Si la face qui contient les données (face sans inscription) est rayée, salie par des empreintes digitales ou de façon générale sale ou tachée, des erreurs peuvent se produire durant la lecture.
- Si la face du disque où sont encodées les données (face non imprimée) est salie par des empreintes de doigt ou de la poussière, utilisez un chiffon doux pour essuyer la surface d'un mouvement allant du centre vers le bord extérieur. Nettoyez toujours les disques avant de les ranger. Ne pas nettoyer un disque sale risque de dégrader sa qualité sonore.



- N'employez jamais de nettoyants pour disque, traitements antistatiques, diluants ou produits chimiques similaires pour nettoyer les disques. De tels produits chimiques pourraient abîmer la surface du disque.
- Ne laissez pas les disques dans des lieux exposés directement à la lumière du soleil ou qui sont très humides ou très chauds.
- Pour écrire sur le côté inscriptible du disque, employez un marqueur permanent à pointe feutre. L'emploi d'un stylo à bille ou autre à pointe dure peut endommager le disque, le rendant illisible.
- Une fois que vous avez fini de lire un disque, remplacez-le toujours dans son boîtier pour le rangement. Ne pas le faire peut entraîner des déformations et des rayures.
- Ne posez pas d'étiquette ou d'autres matériaux sur les disques. N'utilisez pas de disque dont la surface conserve des résidus collants après par exemple le retrait d'un autocollant ou d'une étiquette. Si un tel disque est chargé, il peut se bloquer dans l'unité ou endommager celle-ci.

- N'utilisez jamais de stabilisateurs de CD du commerce. Cela pourrait rendre le disque illisible ou endommager l'unité.
- N'utilisez pas de disques fendus car ils pourraient endommager l'unité.
- N'employez jamais de disques ayant une forme irrégulière, dont des disques en forme de cœur ou octogonaux, car ils peuvent endommager l'unité.



- N'employez pas de disques imprimables, c'est-à-dire dont la face inscriptible peut être imprimée. Comme de tels disques ont une surface spécialement traitée, si on les charge, ils peuvent se coincer dans l'unité ou l'endommager.

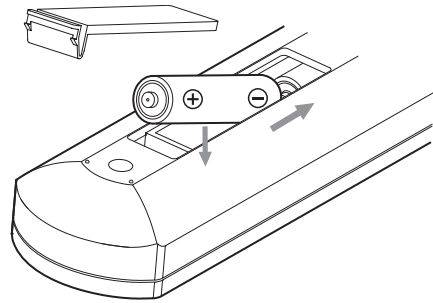
Si vous avez des questions quant à la façon de manipuler un CD-R ou CD-RW, contactez directement son fabricant.

Précautions pour l'utilisation de la télécommande

- Pour utiliser la télécommande, pointez-la vers le capteur de télécommande de l'unité principale dans un rayon maximal de 7 m. Ne placez pas d'obstacles entre l'unité principale et la télécommande.
- La télécommande peut ne pas fonctionner si le capteur de signal de télécommande est exposé à la lumière du soleil ou à une forte source lumineuse.
- Sachez que l'emploi de cette télécommande peut entraîner le déclenchement involontaire d'opérations sur d'autres appareils contrôlables par rayons infrarouges.

Installation des piles

Ouvrez l'arrière de la télécommande et insérez deux piles AAA avec leurs pôles \oplus/\ominus orientés comme indiqué dans le boîtier. Remplacez le couvercle.



Quand faut-il remplacer les piles ?

Si la portée d'action de la télécommande diminue ou si l'unité principale cesse de répondre aux touches de la télécommande, remplacez les deux piles par des neuves.

Jetez les piles usagées conformément à leurs instructions ou aux directives établies par votre municipalité.



Précautions concernant les piles

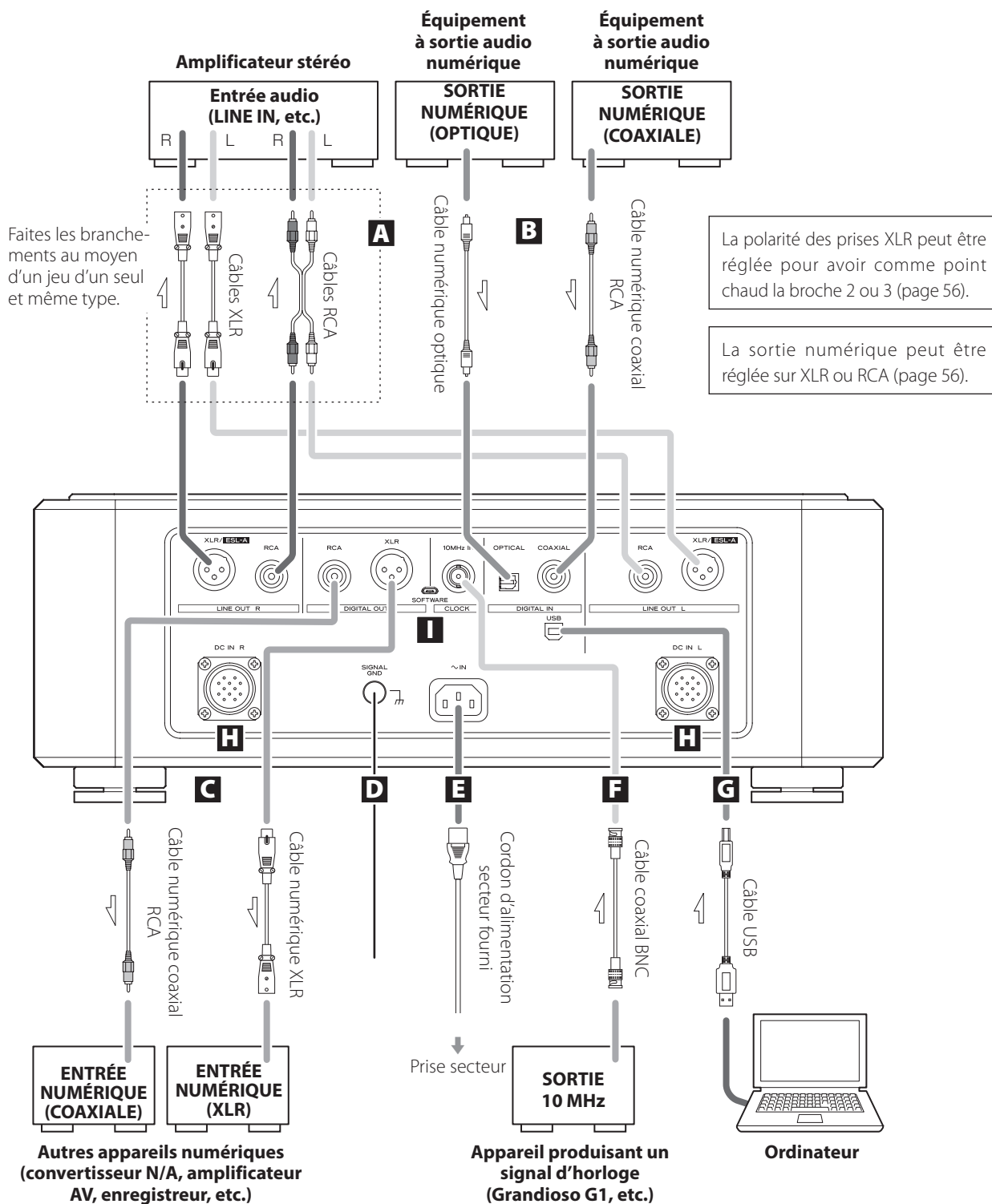
Un mauvais emploi des piles peut entraîner leur rupture ou leur fuite, avec pour conséquence un incendie, des blessures ou la salissure des objets proches.

Veillez attentivement lire et respecter les précautions en page 34.

Branchements

⚠ Précautions lors des branchements

- Après avoir terminé tous les autres branchements, insérez la fiche du cordon d'alimentation dans une prise secteur.
- Lisez les modes d'emploi de tous les appareils qui seront connectés et suivez leurs instructions.



A Prises de sortie audio analogique (LINE OUT)

Elles produisent 2 canaux de signal audio analogique. Reliez les prises XLR ou RCA à un amplificateur.

Utilisez des câbles du commerce pour les branchements.

XLR/ESL-A : câbles XLR

RCA : câbles RCA

Reliez la prise R (droite) de cette unité à la prise R de l'amplificateur, et sa prise L (gauche) à la prise L de l'amplificateur.

- Réglez la sortie analogique sur XLR2, XLR3, RCA, ESLA ou OFF (page 56).
- Si vous raccordez cette unité à un amplificateur doté de connecteurs ES-LINK Analog (ESL-A), nous vous recommandons de connecter ses prises XLR aux prises ES-LINK Analog (ESL-A) de l'amplificateur (page 42).

B Prises d'entrée audio numérique (DIGITAL IN)

Servent à recevoir les signaux audio numériques. Elles peuvent être reliées aux prises de sortie numérique des appareils audio appropriés.

Utilisez des câbles du commerce pour les branchements.

COAXIAL : câble numérique coaxial RCA

OPTICAL : câble numérique optique (TOS)

C Prises de sortie audio numérique (DIGITAL OUT)

Elles produisent les signaux audio numériques des CD lus sur cette unité et les signaux reçus par les prises d'entrée audio numérique de cette unité (DIGITAL IN).

Branchez les prises de sortie audio numérique (DIGITAL OUT) de cette unité aux prises d'entrée audio numérique d'autres appareils numériques, comme un convertisseur N/A, un amplificateur AV ou un enregistreur.

Utilisez des câbles du commerce pour les branchements.

XLR : câble numérique XLR

RCA : câble numérique coaxial RCA

- Ces prises ne peuvent pas produire les données audio numériques d'un Super Audio CD.
- La sortie numérique peut être réglée sur OFF (désactivée), XLR ou RCA (page 56).

D Borne de masse SIGNAL GND

La qualité audio peut être améliorée en reliant cette borne de masse à un amplificateur ou à un autre appareil connecté à cette unité.

- Ce n'est pas une borne de terre de sécurité.

E Prise d'entrée secteur (~IN)

Branchez le cordon d'alimentation secteur fourni à cette prise.

Après avoir terminé tous les autres branchements, insérez la fiche du cordon d'alimentation dans une prise secteur.



N'utilisez qu'un authentique cordon d'alimentation ESOTERIC. L'utilisation d'autres cordons d'alimentation peut entraîner un incendie ou un choc électrique.



Débranchez le cordon de la prise secteur en cas de non-utilisation prolongée de l'unité.

F Prise CLOCK 10MHz IN

Utilisez-la pour recevoir les signaux de synchronisation d'horloge à 10 MHz.

Pour utiliser la synchronisation d'horloge, connectez la prise de sortie d'horloge de l'appareil émettant le signal d'horloge à la prise d'entrée d'horloge de cette unité. Ensuite, réglez le paramètre d'horloge externe (CLK>) sur SYNC (page 55).

Pour le branchement, utilisez un câble coaxial BNC du commerce.

- Vous pouvez utiliser des câbles BNC coaxiaux à impédance de 50 Ω ou 75 Ω.

G Port USB

Sert à recevoir le signal audio numérique d'un ordinateur. Reliez-le au port USB d'un ordinateur.

Pour le branchement, utilisez un câble USB du commerce.

- Avant de brancher, lisez les pages 52 à 53.

H Prises d'entrée d'alimentation DC IN

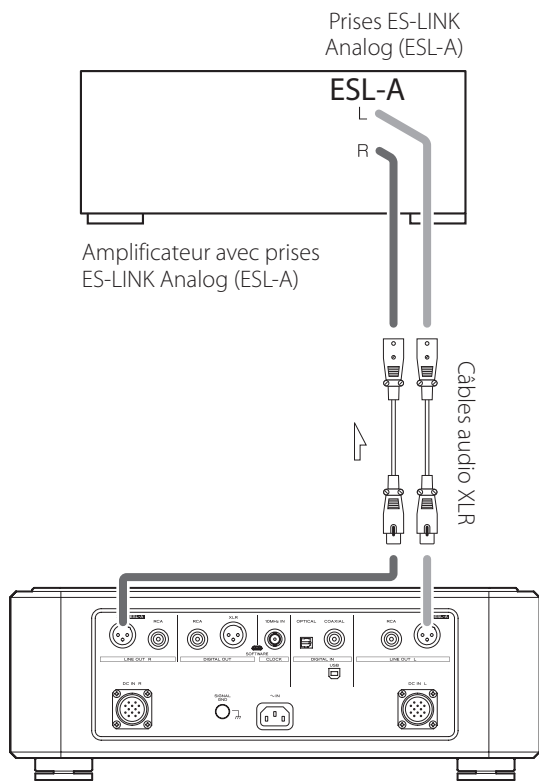
Elles servent à raccorder les unités d'alimentation externes conçues pour le Grandioso K1X.

N'y branchez rien d'autre que l'équipement spécifié.

I Port SOFTWARE (maintenance)

Sert à la maintenance. N'y branchez rien sauf si vous êtes invité à le faire par notre service après-vente.

Branchement par liaison ES-LINK Analog



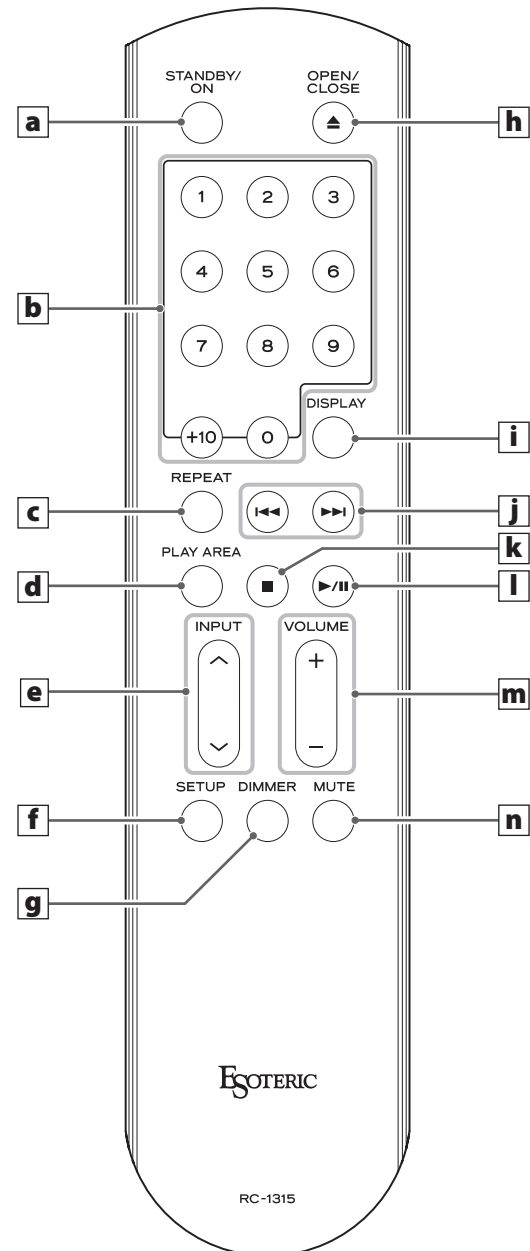
Utilisez des câbles XLR pour raccorder les prises de sortie audio analogique (XLR/ESL-A) de cette unité aux prises ES-LINK Analog (ESL-A) d'un amplificateur.

- Réglez la sortie analogique (AOUT) de cette unité sur ESLA.
- Vous pouvez également faire le branchement à l'aide des prises XLR ou RCA. Sélectionnez le type de connexion qui apporte la qualité audio que vous préférez.

Présentation d'ES-LINK Analog

En utilisant une méthode de transmission de courant exploitant les hautes performances d'un circuit tampon HCLD, qui a la capacité de fournir un fort courant à haut débit, les effets de l'impédance sur le parcours du signal sont supprimés et les signaux sont transmis de façon aussi pure et puissante que possible.

- Cette connexion se fait au moyen de câbles symétriques ordinaires (à connecteurs XLR). Ces prises ne peuvent toutefois être raccordées qu'à des appareils compatibles, car le format de transmission est particulier.



Si l'unité principale et la télécommande ont chacune des boutons ayant la même fonction, nous n'expliquons dans ce mode d'emploi les procédures que pour l'utilisation de l'une ou de l'autre. Néanmoins, la touche homologue peut s'utiliser de la même façon.

a Touche STANDBY/ON

Cette touche ne sert pas avec cette unité.

b Touches numériques

Servent à la sélection des pistes et à la lecture d'un programme (pages 48 et 49).

c Touche REPEAT

Sert à la répétition ou lecture en boucle (page 50).
Maintenez-la pressée pour changer le mode de lecture (page 49).

d Touche PLAY AREA

À l'arrêt, appuyez sur cette touche pour changer la zone de lecture d'un Super Audio CD (page 47).

e Touches INPUT (^/∨)

Ces touches ne servent pas avec cette unité. Elles peuvent servir à changer d'entrée sur les amplificateurs ESOTERIC.

f Touche SETUP

Cette touche ne sert pas avec cette unité. Elle peut servir avec d'autres produits ESOTERIC, comme les amplificateurs.

g Touche DIMMER

Sert à régler la luminosité de l'écran de l'unité principale (page 51).

h Touche OPEN/CLOSE (▲)

Appuyez pour ouvrir et fermer le tiroir de disque (page 47).

i Touche DISPLAY

Durant la lecture ou en pause, appuyez sur cette touche pour changer ce qui est affiché (page 50).

j Touches de saut (|◀◀/▶▶|)

Servent à sauter à la piste précédente ou suivante (page 48).
Durant la lecture, maintenez-les pressées au moins une seconde pour une recherche en arrière/avant. Appuyez à plusieurs reprises et maintenez durant au moins une seconde pour changer la vitesse de recherche en arrière/avant (page 48).

Servent à changer les paramètres en mode de réglage (page 54).

k Touche STOP (■)

Appuyez pour stopper la lecture (page 47).

l Touche Lecture/Pause (▶/||)

Appuyez à l'arrêt ou en pause pour lancer la lecture (page 47).
Appuyez durant la lecture pour la mettre en pause (page 47).

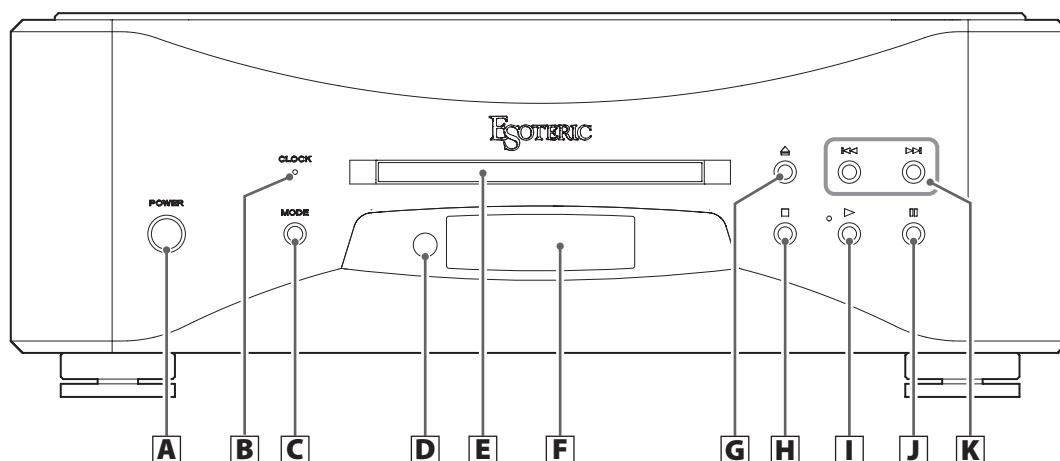
m Touches VOLUME (+/-)

Ces touches ne servent pas avec cette unité. Elles peuvent servir avec d'autres produits ESOTERIC, comme les amplificateurs.

n Touche MUTE

Cette touche ne sert pas avec cette unité. Elle peut être utilisée pour couper le son des amplificateurs ESOTERIC.

Parties et fonctions de l'unité principale



A Touche POWER

Appuyez pour mettre l'unité sous et hors tension.
Quand l'unité est sous tension, le pourtour de la touche est allumé.
Quand l'unité est hors tension, le pourtour de la touche est éteint.
Quand vous n'utilisez pas l'unité, éteignez-la.

B Voyant CLOCK

Indique le statut de synchronisation d'horloge.
Ce voyant clignote pendant la synchronisation sur l'horloge et s'allume fixement une fois la synchronisation effectuée.

C Touche MODE

À l'arrêt, appuyez sur cette touche pour changer de source d'entrée. Quand une entrée externe est sélectionnée, l'unité peut servir de convertisseur N/A (page 51).
Maintenez cette touche pressée au moins deux secondes pour passer en mode de réglage (page 54).

D Capteur de signal de télécommande

Reçoit les signaux de la télécommande. Quand vous utilisez la télécommande, pointez son extrémité vers ce capteur (page 39).

E Tiroir de disque

Chargez ici le disque à lire (page 46).

F Écran

Affiche la durée de lecture, le nombre de pistes et d'autres informations (page 50).

G Touche d'ouverture/fermeture de tiroir (▲)

Appuyez pour ouvrir et fermer le tiroir de disque.

H Touche STOP (■)

Appuyez pour stopper la lecture (page 47).
À l'arrêt, maintenez pressée cette touche pendant au moins deux secondes pour changer de zone de lecture sur un Super Audio CD (page 47).
Appuyez sur cette touche en mode de réglage pour mettre fin à la modification des paramètres et revenir à l'affichage normal (page 54).

I Touche Lecture (▶)

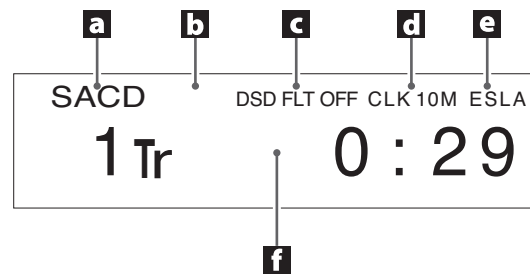
Appuyez pour lancer la lecture du disque (page 46).
Durant la lecture, le voyant adjacent à cette touche s'allume.

J Touche Pause (||)

Appuyez pour mettre la lecture en pause (page 47).
En pause, le voyant adjacent à la touche de lecture clignote.

K Touches de saut (◀◀/▶▶)

Servent à sauter à la piste précédente ou suivante.
Durant la lecture, maintenez-les pressées au moins une seconde pour une recherche en arrière/avant. Appuyez à plusieurs reprises et maintenez durant au moins une seconde pour changer la vitesse de recherche en arrière/avant (page 48).
Servent à changer les paramètres en mode de réglage (page 54).



a Type de disque

Affiche le type du disque actuellement chargé.

SACD : Super Audio CD

CD : CD audio

- Quand un Super Audio CD hybride est chargé, le type de zone de lecture est affiché (page 47).

b Mode de lecture/répétition

Indique le mode de lecture/répétition (pages 49 et 50).

c Informations

En cas de lecture d'un Super Audio CD ou d'entrée d'un signal DSD

Indique le réglage du filtre DSD (page 57).

En cas de lecture d'un CD de musique ou d'entrée d'un signal PCM

Pas d'indicateur :

La fonction de conversion ascendante n'est pas en service.

DSD DIRECT :

Si DSDF (filtre DSD) est réglé sur OFF, ce message s'affiche quand un signal DSD entre.

UPCONV :

Le circuit augmentera la fréquence d'échantillonnage du signal avant conversion numérique vers analogique.

- Le multiple de conversion ascendante est affiché à droite d'UPCONV (page 55).

UPCONV DSD :

Le circuit convertira le signal PCM en signal DSD avant conversion numérique vers analogique.

En cas de lecture d'un CD MQA ou d'entrée d'un fichier MQA

Affiche les informations MQA.

d Mode d'horloge

Indique l'horloge externe choisie (page 55).

Pas d'indicateur :

Quand CLK est réglé sur OFF.

CLK10M :

S'affiche quand CLK est réglé sur SYNC.

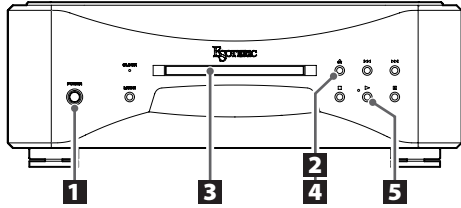
e Réglage de sortie analogique

Affiche le réglage de sortie analogique (AOUT) (XLR2, XLR3, RCA or ESLA).

Rien n'apparaît pour un réglage sur OFF.

f Zone de message

La durée de lecture et divers messages apparaissent ici.



1 Appuyez sur la touche POWER pour allumer l'unité.

POWER



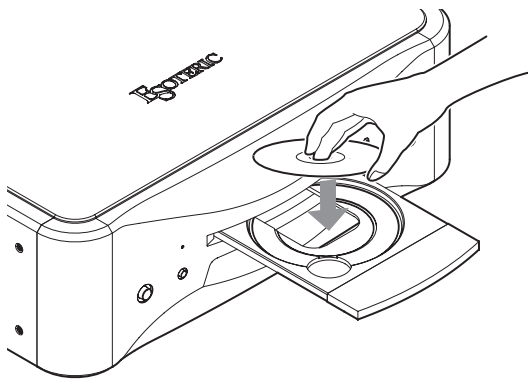
Maintenez-la pressée jusqu'à ce que le pourtour de la touche POWER s'allume.

2 Appuyez sur la touche d'ouverture/fermeture de tiroir (▲).



Le tiroir de disque s'ouvre.

3 Placez un disque au centre du tiroir avec sa face sérigraphiée vers le haut.



- Si le tiroir est refermé alors qu'un disque est en dehors des guides de centrage, le disque peut être coincé à l'intérieur et le tiroir risque de ne plus s'ouvrir. Veillez à toujours placer les disques dans les guides au centre du tiroir.

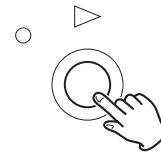
4 Appuyez sur la touche d'ouverture/fermeture de tiroir (▲).



Le tiroir de disque se ferme. Veillez bien à ne pas vous coincer les doigts quand le tiroir se ferme.

- Il faut un certain temps à l'unité pour charger le disque.
- La zone de lecture du disque peut être changée (page 47).

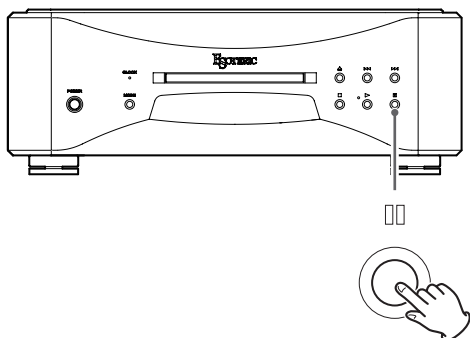
5 Appuyez sur la touche Lecture (▶).



La lecture démarre.

Durant la lecture, le voyant adjacent à cette touche s'allume.

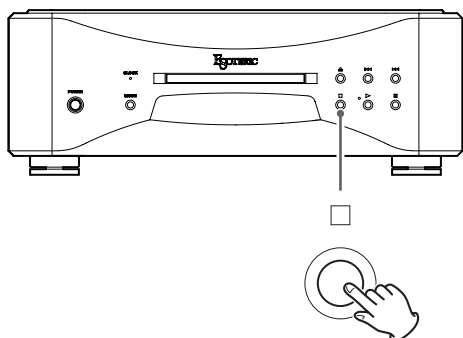
Mise en pause de la lecture



Durant la lecture, appuyez sur la touche Pause (▬) pour mettre la lecture en pause. En pause, le voyant adjacent à la touche de lecture (▶) clignote.

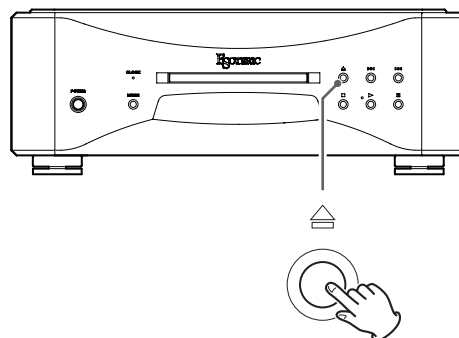
Appuyez sur la touche Lecture (▶) ou Pause (▬) pour relancer la lecture.

Arrêt de la lecture



Appuyez sur la touche STOP (■) pour arrêter la lecture.

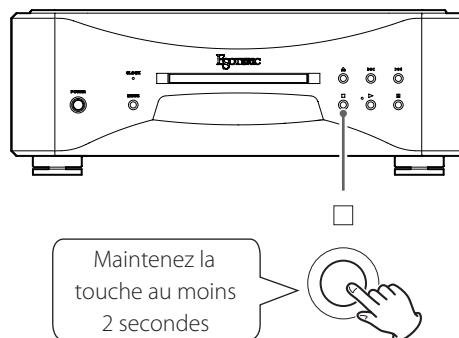
Ouverture et fermeture du tiroir de disque



Appuyez une fois sur la touche d'ouverture/fermeture du tiroir (▲) pour ouvrir ce dernier et réappuyez dessus pour le fermer.

- Si vous appuyez sur la touche d'ouverture/fermeture du tiroir (▲) durant la lecture d'un disque, plusieurs secondes s'écouleront avant que le tiroir ne s'ouvre.

Changement de la zone de lecture

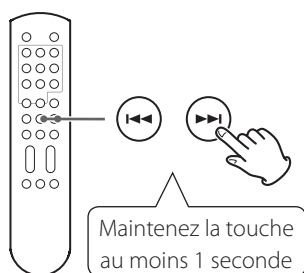


Certains Super Audio CD ont plusieurs zones, incluant le signal audio stéréo (2 canaux) et le signal audio multicanal. Les Super Audio CD hybrides ont deux couches dont une contient un signal audio de qualité CD normale.

À l'arrêt, appuyez sur la touche Stop (■) pendant au moins deux secondes pour changer de zone de lecture.

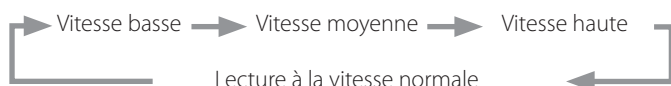
- Pour changer la zone de lecture depuis la télécommande, appuyez sur la touche PLAY AREA alors que l'unité est à l'arrêt.
- L'unité ne lit pas les zones multicanaux des Super Audio CD.

Recherche en arrière/avant

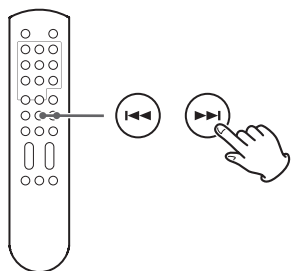


Durant la lecture, maintenez pressée une touche de saut (I◀◀/▶▶I) (durant au moins une seconde) jusqu'à ce que la recherche en arrière/avant commence. Quand vous avez trouvé le passage que vous voulez écouter, appuyez sur la touche Lecture (▶) de l'unité principale ou sur la touche Lecture/Pause (▶/||) de la télécommande.

Vous pouvez changer la vitesse de recherche en arrière/avant en appuyant plusieurs fois sur la touche de saut (I◀◀/▶▶I) et en maintenant pressée durant au moins une seconde à chaque fois. La vitesse de clignotement à l'écran du < ou du > change aussi.



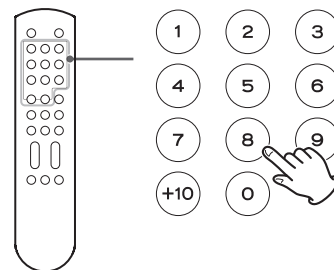
Saut de pistes



Durant la lecture, appuyez sur une touche de saut (I◀◀/▶▶I) pour passer à la piste précédente ou suivante et commencer la lecture.

- Appuyez une fois sur la touche I◀◀ pour revenir au début de la piste actuelle. Appuyez plusieurs fois sur la touche I◀◀ pour retourner à une piste antérieure. Si la tête de lecture est à moins d'une seconde du début de la piste actuelle, appuyer sur la touche I◀◀ fera par contre sauter au début de la piste précédente.
- À l'arrêt ou en pause, utilisez les touches de saut I◀◀/▶▶I pour sélectionner une piste et vous mettre en pause à son début.

Utilisation des touches numériques pour sélectionner la piste à lire



En lecture ou à l'arrêt, vous pouvez appuyer sur les touches numériques pour sélectionner une piste et lancer sa lecture. Pour lire une piste ayant un numéro à un seul chiffre, appuyez sur la touche numérique correspondante. Pour lire une piste ayant un numéro à deux chiffres, appuyez autant de fois que nécessaire sur la touche +10 pour obtenir le chiffre des dizaines puis appuyez sur la touche numérique correspondant au deuxième chiffre. Une fois le numéro de piste saisi, la lecture démarre.

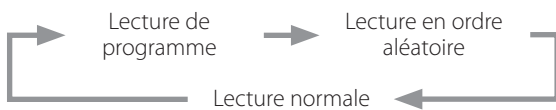
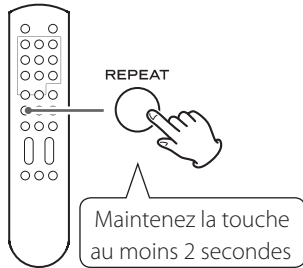
Exemples :

Piste 7 : (7)

Piste 23 : (+10) ⇒ (+10) ⇒ (3)

Changement du mode de lecture

À l'arrêt, maintenez la touche REPEAT pressée au moins deux secondes pour changer de mode de lecture.



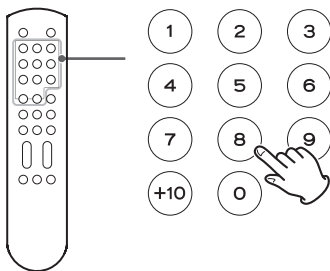
- Appuyer sur la touche d'ouverture/fermeture du tiroir (▲) ou sur la touche POWER de l'unité principale rappelle le mode de lecture normale.

Lecture de programme

Vous pouvez programmer jusqu'à 24 pistes dans l'ordre dans lequel vous voulez les écouter.

1 Réglez la lecture en mode lecture de programme.

2 Utilisez les touches numériques pour sélectionner les pistes que vous souhaitez programmer.



Exemples :

Piste 3 : (3)

Piste 12 : (+10) ⇒ (2)

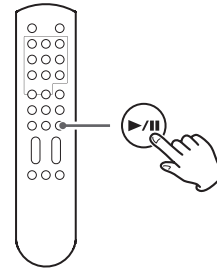
Piste 20 : (+10) ⇒ (+10) ⇒ (0)



Pour programmer d'autres pistes, continuez d'appuyer sur les touches numériques.

- Les numéros de piste qui n'existent pas dans le disque actuellement chargé ne peuvent pas être ajoutés au programme.

3 Quand vous avez fini d'ajouter des pistes au programme, appuyez sur la touche Lecture/Pause (▶/II).



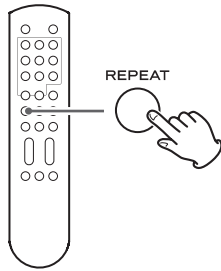
La lecture du programme démarre.

- Changer le mode de lecture efface le contenu du programme.

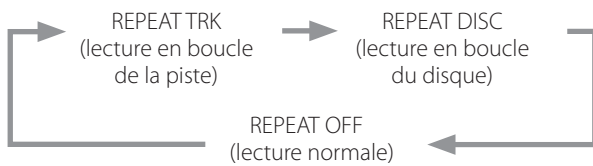
Lecture en ordre aléatoire (« Shuffle »)

En mode de lecture en ordre aléatoire, les pistes du disque sont lues en suivant un ordre aléatoire quand on appuie sur la touche Lecture/Pause (▶/II).

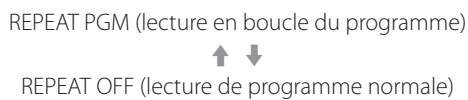
Lecture en boucle (répétition)



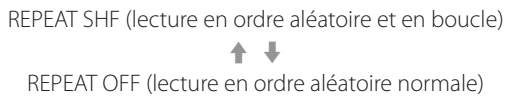
Durant la lecture normale, appuyez sur la touche REPEAT pour passer en revue les modes de lecture en boucle suivants.



Durant la lecture de programme, appuyez sur la touche REPEAT pour passer en revue les modes de lecture en boucle suivants.



Durant la lecture en ordre aléatoire, appuyez sur la touche REPEAT pour passer en revue les modes de lecture en boucle suivants.



- L'arrêt de la lecture met au fin au mode de lecture en boucle.

REPEAT TRK

La piste actuelle est lue en boucle. Pendant la lecture en boucle, sélectionnez une autre piste pour lire celle-ci en boucle.

REPEAT DISC

Toutes les pistes du disque actuel sont lues en boucle.

REPEAT PGM

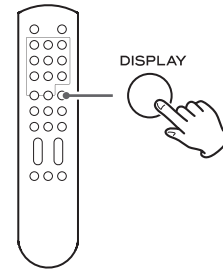
Les pistes programmées sont lues en boucle.

REPEAT SHF

La lecture en ordre aléatoire se fait en boucle.

- Une fois que toutes les pistes ont été lues une fois, leur ordre de lecture est à nouveau modifié.

Affichage



Durant la lecture du disque et en pause, chaque fois que l'on appuie sur la touche DISPLAY, les informations affichées à l'écran changent comme suit.

Exemples :

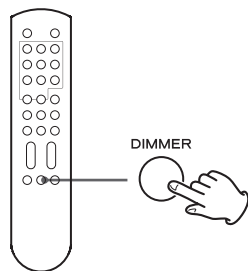


- À l'arrêt, le nombre total de pistes et la durée totale de lecture du disque sont affichés.

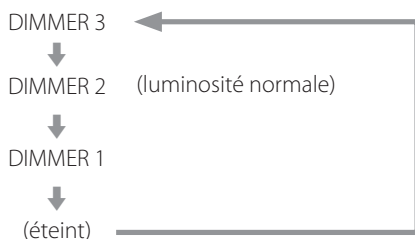
Exemple :



Atténuateur (Dimmer)

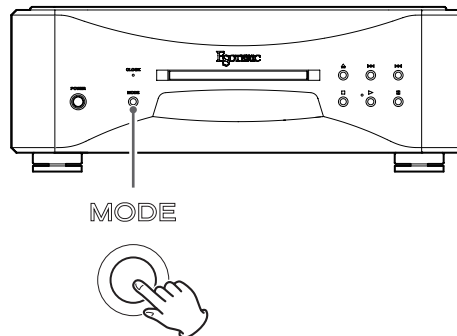


Vous pouvez régler la luminosité de l'écran de l'unité principale.

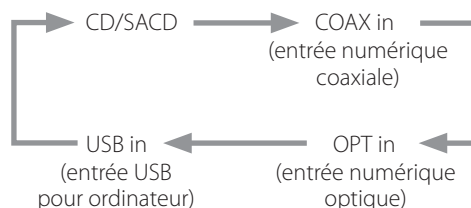


- Même sans réglage DIMMER, l'écran s'allume avec une luminosité normale pendant environ trois secondes quand vous appuyez sur la touche Lecture/Pause (▶/■) ou sur une autre touche.
- Même sans réglage DIMMER ou avec un réglage DIMMER 1, les menus de réglage et les messages d'erreur s'affichent avec une luminosité normale (DIMMER 2).

Changement de la source d'entrée



À l'arrêt, appuyez plusieurs fois sur la touche MODE pour passer en revue les sources d'entrée suivantes.



- Cette unité peut servir de convertisseur N/A quand sa source d'entrée est réglée sur une entrée numérique externe (COAX in, OPT in ou USB in).
- Quand une entrée numérique externe (COAX in, OPT in, USB in) est sélectionnée, le nom et la fréquence d'échantillonnage de l'entrée sélectionnée s'affichent à l'écran. S'il n'y a pas de signal en entrée ou si l'unité n'est pas synchronisée sur le signal entrant, la fréquence d'échantillonnage de l'entrée ne s'affiche pas et le nom de l'entrée clignote.
- Si le signal entrant n'est pas un signal audio numérique ou s'il est d'un format non pris en charge par cette unité (comme par exemple Dolby Digital, DTS ou AAC), « - - - » apparaît à la place de la fréquence d'échantillonnage. Réglez la sortie numérique de l'équipement connecté pour une sortie audio PCM.
- Quand une entrée externe (COAX in, OPT in, USB in) est sélectionnée, les commandes de disque autres que la touche d'ouverture/fermeture de tiroir (▲) ne fonctionnent pas.

Systèmes d'exploitation pris en charge

Cette unité peut être connectée par USB et utilisée avec un ordinateur fonctionnant sous un des systèmes d'exploitation suivants.

Le fonctionnement avec d'autres systèmes d'exploitation n'est pas garanti (en date d'août 2019).

Avec un Mac

OS X Lion (10.7)
OS X Mountain Lion (10.8)
OS X Mavericks (10.9)
OS X Yosemite (10.10)
OS X El Capitan (10.11)
macOS Sierra (10.12)
macOS High Sierra (10.13)
macOS Mojave (10.14)

Avec Windows

Windows 7 (32/64 bits)
Windows 8 (32/64 bits)
Windows 8.1 (32/64 bits)
Windows 10 (32/64 bits)

Installation du pilote

Avec un Mac

Cette unité peut fonctionner avec le pilote standard du système d'exploitation (OS), donc il n'y a pas besoin d'installer de pilote.

Un pilote dédié doit toutefois être installé sur l'ordinateur pour utiliser Bulk Pet.

Avec Windows

Pour utiliser cette unité afin de lire des fichiers sur un ordinateur, installez le pilote dédié sur l'ordinateur.

Installation du pilote sur un ordinateur

Installez le pilote logiciel dédié sur l'ordinateur après l'avoir téléchargé à l'adresse ci-dessous.

Pour des instructions détaillées sur l'installation du pilote, veuillez consulter la page ci-dessous.

<https://www.esoteric.jp/en/product/k1x/download>

AVIS IMPORTANT

Vous devez installer le pilote logiciel dédié avant de brancher cette unité à un ordinateur à l'aide d'un câble USB.

Si vous branchez l'unité à l'ordinateur par USB avant d'installer le pilote, elle ne fonctionnera pas correctement.

Selon les composants matériels et logiciels de l'ordinateur, un bon fonctionnement peut ne pas être possible même avec les systèmes d'exploitation ci-dessus.

Note à propos des modes de transmission

Cette unité se connecte en mode isochrone ou Bulk Pet.

Les fréquences d'échantillonnage qui peuvent être transmises sont 44,1 kHz, 48 kHz, 88,2 kHz, 96 kHz, 176,4 kHz, 192 kHz, 352,8 kHz, 384 kHz, 705,6 kHz et 768 kHz. Les DSD 2,8 MHz, 5,6 MHz, 11,2 MHz et 22,5 MHz sont également pris en charge.

- Le DSD 22,5 MHz n'est pris en charge qu'en lecture de DSD natif. Il n'est pas pris en charge avec la lecture au format DoP (audio DSD par PCM).

Après connexion correcte, vous pourrez sélectionner « ESOTERIC USB AUDIO DEVICE » (périphérique audio USB ESOTERIC) comme sortie audio pour le système d'exploitation.

Les données audio envoyées par l'ordinateur seront traitées en suivant l'horloge de cette unité durant la transmission des données, afin de réduire la gigue.

Téléchargement de l'application de lecture ESOTERIC HR Audio Player

Vous pouvez utiliser le lecteur ESOTERIC HR Audio Player pour lire des fichiers audio sur un ordinateur.

Veuillez télécharger cette application gratuite à l'adresse URL suivante.

https://www.esoteric.jp/en/product/hr_audio_player

ESOTERIC HR Audio Player est un logiciel de lecture audio pour Windows et Mac qui prend en charge la lecture en haute qualité de sources audio à haute résolution. Vous pouvez l'utiliser pour profiter d'une reproduction en haute qualité de sources audio à haute résolution, y compris DSD, sans devoir faire de réglages complexes.

Note concernant le réglage d'ESOTERIC HR Audio Player

Pour lire des enregistrements DSD à 22,5 MHz avec ESOTERIC HR Audio Player, ouvrez la fenêtre Configure (configurer) et réglez « Decode mode » (mode de décodage) sur « DSD Native ».

Pour lire des formats autres que le DSD à 22,5 MHz, vous pouvez régler ce paramètre comme vous le souhaitez sur « DSD over PCM » ou « DSD Native ».

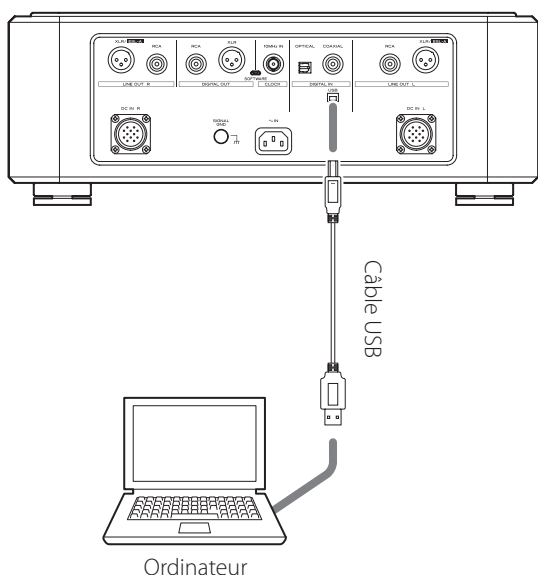
Pour plus de détails, reportez-vous à la section « Selecting DSD decoding mode » (sélection du mode de décodage DSD) dans le mode d'emploi d'ESOTERIC HR Audio Player.

Lecture de fichiers audio

1 Branchez cette unité à l'ordinateur à l'aide d'un câble USB.

Utilisez un câble ayant une fiche qui correspond à la prise de cette unité.

- Le port USB de cette unité est de type B.



2 Mettez l'ordinateur sous tension.

Vérifiez que son système d'exploitation a normalement démarré.

3 Appuyez sur la touche POWER pour allumer l'unité.



4 Appuyez plusieurs fois sur la touche MODE afin de sélectionner « USB in » (page 51).



5 Lancez la lecture d'un fichier audio sur l'ordinateur.

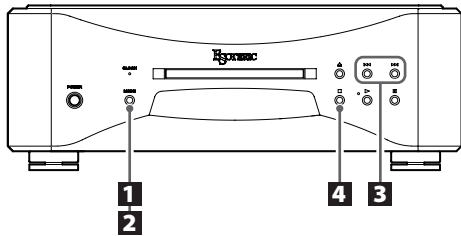
Pour une meilleure qualité audio, réglez le volume de l'ordinateur à son maximum et ajustez le volume de l'amplificateur connecté à cette unité. Réglez le volume de l'amplificateur au minimum quand vous lancez la lecture et montez-le progressivement.

- L'ordinateur ne peut pas servir à contrôler cette unité et cette unité ne peut pas servir à contrôler l'ordinateur.
- Cette unité ne peut pas transmettre de fichiers audio à l'ordinateur par USB.
- N'effectuez aucune des opérations suivantes pendant la lecture de fichiers audio par la connexion USB. Cela pourrait entraîner un mauvais fonctionnement de l'ordinateur. Quittez toujours le logiciel de lecture audio avant d'entamer une des actions suivantes.
 - Déconnexion du câble USB
 - Extinction de cette unité
 - Changement d'entrée
- Les sons accompagnant le fonctionnement de l'ordinateur seront également transmis lors de la lecture de fichiers audio via la connexion USB. Pour éviter de produire ces sons, faites les réglages nécessaires sur votre ordinateur.
- Si vous lancez le logiciel de lecture audio avant de brancher cette unité à l'ordinateur ou avant d'avoir réglé l'entrée sur « USB in », les fichiers audio peuvent ne pas être lus correctement. Si cela se produit, faites redémarrer le logiciel de lecture audio ou l'ordinateur.

Mode de réglage

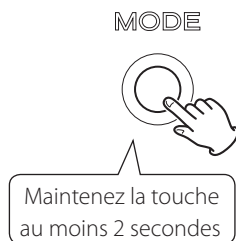
Les paramètres relatifs à cette unité sont répartis en deux groupes : Paramètres 1 et Paramètres 2.

Le groupe affiché (Paramètres 1 ou Paramètres 2) dépend de la façon dont vous appuyez sur la touche MODE.



Changement des réglages

1 À l'arrêt ou en lecture, maintenez la touche MODE pressée au moins deux secondes.



Les Paramètres 1 s'afficheront.

Pour afficher les Paramètres 2, maintenez à nouveau la touche MODE pressée au moins deux secondes alors que les Paramètres 1 sont affichés.

2 Appuyez plusieurs fois sur la touche MODE afin de sélectionner le paramètre à modifier.



Chaque fois que vous appuyez sur la touche MODE, le paramètre affiché à l'écran change comme suit.

Paramètres 1

UPC>
↓
CLK>
↓
AOOUT>
↓
DOUT>
↓
DPaOFF>
↓
APS>

Paramètres 2

PCMM>
↓
PCMG>
↓
DSDF>
↓
AUD_UPDATE
↓
MQA_UPDATE

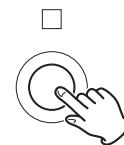
- Selon la source sélectionnée et le statut de fonctionnement, certains paramètres peuvent ne pas apparaître.
- Si vous ne faites rien durant au moins dix secondes, le mode de réglage est abandonné et l'affichage normal revient. Toutefois, le mode de réglage n'est pas abandonné si les Paramètres 2 AUD_UPDATE ou MQA_UPDATE sont utilisés.

3 Utilisez les touches de saut (|◀◀ / ▶▶|) pour changer les réglages.



Pour changer plusieurs paramètres, répétez les étapes **2** et **3**.

4 Appuyez sur la touche Stop (■).



Le mode de réglage est abandonné et l'affichage normal réapparaît.

- Le mode de réglage est également abandonné avec réapparition de l'affichage normal si rien n'est fait durant dix secondes. Toutefois, le mode de réglage n'est pas abandonné si les Paramètres 2 AUD_UPDATE ou MQA_UPDATE sont utilisés.
- Les réglages sont conservés même après déconnexion du cordon d'alimentation.

Réglage de conversion ascendante du signal PCM

UPC>***

Les signaux PCM provenant de la lecture de CD ou d'une entrée numérique externe (COAX in, OPT in, USB in) peuvent être convertis de façon ascendante (à une fréquence d'échantillonnage supérieure) ou en signaux DSD.

- Par défaut, le réglage est ORG.
- Ce réglage peut se faire pour chaque entrée.
- Durant la lecture de Super Audio CD, le signal DSD est envoyé au convertisseur N/A sans conversion ascendante.

ORG

Pas de conversion ascendante.

- Le signal entrant est transmis au convertisseur N/A sans conversion ascendante.

2Fs

Lorsque des signaux PCM de fréquence inférieure à 88,2 kHz sont reçus, ils bénéficient d'une conversion ascendante avant d'être convertis de numérique en analogique.

4Fs

Lorsque des signaux PCM de fréquence inférieure à 176,4 kHz sont reçus, ils bénéficient d'une conversion ascendante avant d'être convertis de numérique en analogique.

8Fs

Lorsque des signaux PCM de fréquence inférieure à 352,8 kHz sont reçus, ils bénéficient d'une conversion ascendante avant d'être convertis de numérique en analogique.

16Fs

Lorsque des signaux PCM de fréquence inférieure à 705,6 kHz sont reçus, ils bénéficient d'une conversion ascendante avant d'être convertis de numérique en analogique.

DSD

Les signaux sont convertis en DSD avant d'être convertis de numérique en analogique.

Réglage d'horloge externe

CLK>***

Sert à régler la synchronisation avec une horloge externe.

- Par défaut, le réglage est OFF.
- Réglez ce paramètre sur OFF si vous branchez à une entrée autre qu'USB un appareil source n'acceptant pas la synchronisation d'horloge.

OFF

La synchronisation d'horloge n'est pas employée. L'unité fonctionnera avec l'horloge du signal numérique entrant.

L'oscillateur intégré sera utilisé en cas d'entrée USB.

Le voyant CLOCK ne s'allumera pas.

SYNC

Dans ce mode, l'unité est synchronisée avec le signal d'horloge 10 MHz entrant par sa prise CLOCK 10MHz IN en provenance d'un générateur d'horloge.

Le voyant CLOCK s'allume. Le voyant CLOCK clignote au cours du processus de synchronisation ou en cas d'impossibilité de synchronisation.

- La fréquence d'horloge recevable est de 10 MHz. Le signal audio entrant et le signal d'horloge entrant doivent être synchronisés.
- Sachez que durant la lecture de musique, si on éteint le générateur d'horloge ou si on déconnecte le câble coaxial BNC qui amène le signal d'horloge 10 MHz, ce qui entraîne l'arrêt de ce dernier, un bruit puissant peut être produit par les enceintes.

Réglage de sortie analogique

AOUT>***

Sert à sélectionner la prise de sortie analogique utilisée.

- Par défaut, le réglage est XLR2.

XLR2

Les signaux audio analogiques sortent par les prises XLR avec point chaud sur la broche 2.

XLR3

Les signaux audio analogiques sortent par les prises XLR avec point chaud sur la broche 3.

RCA

Les signaux audio analogiques sortent par les prises RCA.

ESLA

Les signaux audio analogiques sortent par les prises XLR au format ES-LINK Analog (ESL-A).

- Ces connexions font appel à des câbles XLR ordinaires, mais les signaux sont transmis à un format unique, donc ce réglage ne doit être employé qu'avec des appareils compatibles.
- Voir page 42 pour en savoir plus sur la liaison ES-LINK Analog (ESL-A).

OFF

Les sorties analogiques sont désactivées, de même que le convertisseur N/A.

Réglage de sortie numérique

DOUT>***

Sert à sélectionner la prise de sortie numérique à utiliser.

- Par défaut, le réglage est OFF.
- Le signal sort sans conversion ascendante.
- Durant la lecture de Super Audio CD, ce paramètre est automatiquement réglé sur OFF.

OFF

Le signal audio numérique n'est pas produit.

XLR

Le signal audio numérique du CD sort par la prise XLR DIGITAL OUT.

RCA

Le signal audio numérique du CD sort par la prise RCA DIGITAL OUT.

Réglage d'assombrissement automatique de l'écran

DPaOFF>***

Utilisez-le pour que l'écran s'assombrisse automatiquement.

- Par défaut, le réglage est activé (ON).
- Si l'écran OEL reste allumé longtemps sur les mêmes indications, des irrégularités de luminosité peuvent survenir. Pour cette raison, nous vous recommandons de régler la fonction d'assombrissement automatique de l'écran sur ON.

ON

Si aucune opération n'est effectuée pendant dix minutes, l'écran s'éteint automatiquement.

OFF

L'écran ne s'éteindra pas automatiquement.

- Si aucune opération n'est effectuée pendant dix minutes, l'écran s'assombrit jusqu'à la luminosité DIMMER 1 pour le protéger d'une usure excessive.

Réglage d'économie automatique d'énergie

APS>***

Si pendant la durée définie il n'y a pas d'entrée en provenance de la source sélectionnée, l'alimentation se coupe automatiquement.

- Par défaut, le réglage est 30m.
- Les sources d'entrée non sélectionnées n'agissent pas sur l'économie automatique d'énergie.

30m

30 minutes

60m

60 minutes

90m

90 minutes

120m

120 minutes

OFF

La fonction d'économie automatique d'énergie est désactivée.

Réglage du mode de conversion N/A du signal PCM

PCMM>***

Détermine le mode de conversion N/A pour les signaux PCM provenant de la lecture de CD ou d'une entrée numérique externe (COAX in, OPT in, USB in).

Réglez-le comme désiré.

- Par défaut, le réglage est M1.

M1

Le mode 1 est utilisé pour la conversion N/A des signaux d'entrée PCM.

M2

Le mode 2 est utilisé pour la conversion N/A des signaux d'entrée PCM.

M3

Le mode 3 est utilisé pour la conversion N/A des signaux d'entrée PCM.

Réglage de gain de la sortie PCM

PCMG>***

Sert à régler le gain pour la lecture du signal PCM. Cela peut permettre de réduire la différence de volume à la lecture entre des signaux PCM et des signaux DSD.

Réglez-le en fonction des besoins.

- Par défaut, le réglage est FULL.

FULL

Le gain n'est pas ajusté.

LOW

Le gain du signal PCM est réduit par rapport au réglage d'origine avant la sortie.

S'utilise lorsque le volume des signaux PCM à la lecture semble plus fort que celui des signaux DSD.

Réglage du filtre DSD

DSDF>***

Sert à régler le filtre numérique durant la lecture DSD. Réglez-le comme désiré.

- Par défaut, le réglage est OFF.

OFF

Aucun filtre numérique n'est utilisé.

F1

Le filtre numérique 1 est utilisé.

F2

Le filtre numérique 2 est utilisé.

F3

Le filtre numérique 3 est utilisé.

Réglage de mise à jour du programme audio

AUD_UPDATE

Sert à mettre à jour le programme de traitement du signal audio de l'unité.

Voir l'explication fournie avec le programme de mise à jour pour des détails sur la procédure à suivre.

Réglage de mise à jour de MQA

MQA_UPDATE

Sert à mettre à jour le programme de traitement du signal MQA.

Voir l'explication fournie avec le programme de mise à jour pour des détails sur la procédure à suivre.

Le MQA est une technologie britannique primée qui restitue le son de l'enregistrement d'origine. Le fichier MQA maître est totalement authentifié et est suffisamment petit pour le streaming ou le téléchargement. Visitez mqa.co.uk pour plus d'informations.

Le Grandioso K1X dispose de la technologie MQA, qui vous permet de lire les fichiers audio et flux MQA restituant le son de l'enregistrement d'origine.

« MQA » ou « MQA. » indique que le produit décode et lit un flux ou un fichier MQA, et désigne sa provenance pour s'assurer que le son est identique à celui du matériel source. « MQA. » indique la lecture d'un fichier MQA Studio, qui a été approuvé en studio par l'artiste/producteur ou vérifié par le titulaire des droits d'auteur.

Si vous rencontrez un problème avec ce produit, veuillez prendre un moment pour lire les informations suivantes avant de solliciter une réparation. Par ailleurs, cette unité n'est peut-être pas la cause du problème. Veuillez aussi vérifier le fonctionnement des appareils connectés.

Si ce produit ne fonctionne toujours pas correctement, contactez le revendeur chez qui vous l'avez acheté.

Générales

L'unité ne s'allume pas.

- ➔ Insérez la fiche d'alimentation dans une prise secteur.
- ➔ Vérifiez la connexion du cordon d'alimentation à cette unité.
- ➔ Vérifiez que la prise à laquelle est branché le cordon d'alimentation reçoit bien du courant, par exemple en y branchant un autre appareil.

L'unité s'éteint automatiquement.

- ➔ C'est la fonction d'économie automatique d'énergie qui a entraîné l'extinction de l'unité.
Appuyez sur la touche POWER de l'unité principale pour l'allumer. Changez si nécessaire le réglage de la fonction d'économie automatique d'énergie (page 56).

La télécommande ne fonctionne pas.

- ➔ Mettez l'unité principale sous tension (page 46).
- ➔ Si les piles sont déchargées, remplacez les deux par des neuves (page 39).
- ➔ La télécommande ne fonctionnera pas s'il y a des obstacles entre elle et l'unité principale. Pointez la télécommande vers la face avant de l'unité à une distance de moins de 7 m environ (page 39).

Un téléviseur ou autre appareil ne fonctionne pas correctement.

- ➔ L'utilisation de la télécommande de cette unité peut amener certains téléviseurs et autres appareils télécommandables à fonctionner de façon incorrecte.

Impossible de lire un CD ou Super Audio CD.

- ➔ Appuyez plusieurs fois sur la touche MODE pour sélectionner « CD/SACD » (page 51).
- ➔ Chargez correctement le disque. Si le disque est à l'envers, rechargez-le avec sa face sérigraphiée vers le haut.
- ➔ Si le disque est sale, nettoyez-le (page 38).
- ➔ Si de la condensation s'est formée dans l'unité, mettez-la sous tension et laissez-la allumée durant une à deux heures (page 60).

L'unité ne répond pas quand on appuie sur les touches.

- ➔ Plusieurs pressions de touche sans interruption peuvent entraîner l'arrêt de la réponse de l'unité principale. Après avoir appuyé sur une touche, attendez que l'unité principale réponde.

Il y a du bruit.

- ➔ Éloignez autant que possible l'unité des téléviseurs et autres appareils à fort champ magnétique.

Aucun son ne sort des enceintes. Le son souffre de distorsion.

- ➔ Vérifiez les connexions avec l'ampli et les enceintes (page 40).
- ➔ Réglez le volume de l'amplificateur et des autres appareils.
- ➔ Si le disque est sale, nettoyez-le (page 38).
- ➔ Le signal audio numérique d'un Super Audio CD ne peut pas sortir par les prises de sortie audio numérique (DIGITAL OUT).
- ➔ Aucun son ne sort quand la lecture est en pause. Appuyez sur la touche Lecture (▶) pour reprendre la lecture normale.
- ➔ Vérifiez le réglage de sortie audio analogique (page 56).

L'enregistrement numérique n'est pas possible sur l'équipement externe connecté.

- ➔ Vous ne pouvez pas enregistrer tel quel le signal audio numérique d'un disque protégé contre la copie.

Le volume est notablement différent entre les CD et les Super Audio CD.

- ➔ Vous pouvez remarquer des différences de volume notables entre les CD normaux et les Super Audio CD. C'est le résultat des différences entre leurs méthodes d'enregistrement de données, de mastering et de création.

Synchronisation d'horloge**Le voyant CLOCK ne cesse pas de clignoter.**

- ➔ Réglez CLK> sur OFF si vous n'utilisez pas la synchronisation d'horloge.
- ➔ Un signal d'horloge sur lequel l'unité ne peut pas se synchroniser est peut-être reçu. Vérifiez le branchement des prises d'horloge et les réglages des appareils connectés. Cette unité ne prend en charge qu'une horloge à 10 MHz.

Un bruit cyclique est produit.

- ➔ Si un bruit cyclique est émis quand l'unité est en mode de synchronisation d'horloge, c'est peut-être que l'appareil connecté n'est pas en mode de synchronisation d'horloge. Vérifiez le branchement des prises d'horloge et les réglages d'horloge de l'appareil connecté.

Connexions USB avec un ordinateur**L'ordinateur ne reconnaît pas cette unité.**

- ➔ Voir page 52 pour plus d'informations sur les systèmes d'exploitation pris en charge. Le fonctionnement avec des systèmes d'exploitation non pris en charge n'est pas garanti.

Il y a du bruit.

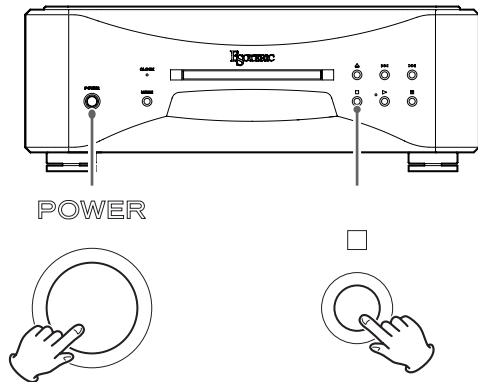
- ➔ Lancer d'autres applications durant la lecture d'un fichier audio peut interrompre la lecture ou causer du bruit. Ne lancez pas d'autres applications durant la lecture.
- ➔ Quand l'unité est branchée à un ordinateur via un concentrateur (hub) USB, par exemple, du bruit peut être entendu. Si cela se produit, branchez l'unité directement à l'ordinateur.

Les fichiers audio ne peuvent pas être lus.

- ➔ Connectez l'ordinateur et cette unité puis basculez sur l'entrée « USB in » avant de lancer le logiciel de lecture audio et la lecture de fichier audio. Si vous branchez cette unité à l'ordinateur ou si vous réglez son entrée sur « USB in » après avoir lancé le logiciel de lecture audio, les fichiers audio peuvent ne pas être lus correctement.

Comme cette unité utilise un microcontrôleur, du bruit ou d'autres interférences externes peuvent entraîner son mauvais fonctionnement. Si cela se produit, éteignez l'unité et patientez environ une minute avant de reprendre l'opération depuis le début.

Rappel des réglages d'usine



Les réglages sont conservés même après déconnexion du cordon d'alimentation.

Suivez ces procédures pour restaurer les réglages d'usine par défaut et effacer tous les changements effectués en mémoire.

1 Éteignez l'unité.

Si l'unité est allumée, appuyez sur la touche POWER pour l'éteindre et attendez plus de 30 secondes.

2 Appuyez sur la touche POWER tout en maintenant la touche Stop (■) pressée sur l'unité principale.

Relâchez la touche Stop (■) quand « Setup CLR » (effacement de la configuration) s'affiche à l'écran.

Note concernant la condensation

Si on fait passer cette unité d'un environnement extérieur froid à une pièce chauffée, ou si par exemple le chauffage vient d'être allumé dans la pièce où elle se trouve, de la condensation peut se produire sur les pièces de fonctionnement ou les lentilles, entraînant un fonctionnement incorrect. Si cela se produit, laissez l'unité allumée et attendez une ou deux heures. Cela devrait permettre un retour de la lecture à la normale.

Types de disque lisibles

Super Audio CD, CD (CD-R et CD-RW compris)

Sorties audio analogiques

XLR.....	1 paire (L/R)
Impédance de sortie	40 Ω
Niveau de sortie maximal.....	5,0 Vrms
RCA	1 paire (L/R)
Impédance de sortie	15 Ω
Niveau de sortie maximal.....	2,5 Vrms
Performances audio (avec Super Audio CD à 0 dB, DSD sur F2, sortie XLR)	
Réponse en fréquence	5 Hz à 75 kHz (–3 dB)
Rapport signal/bruit.....	113 dB
Distorsion	0,0007 % (1 kHz)

Sorties audio numériques

XLR.....	1
RCA	1

Entrées audio numériques

COAXIAL	1
Impédance d'entrée	75 Ω
OPTICAL.....	1
USB-B (USB 2.0 pris en charge)	1

Entrée d'horloge

BNC	1
Impédance d'entrée	50 Ω
Fréquences recevables (± 10 ppm)	10 MHz
Niveau d'entrée.....	0,5 à 1,0 Vrms (onde sinusoïdale)

Générales

Alimentation électrique

Modèle Europe.....	CA 220–240 V, 50/60 Hz
Modèle USA/Canada	CA 120 V, 60 Hz
Modèle Corée	CA 220 V, 60 Hz
Modèle Hong-Kong	CA 230 V, 50 Hz

Consommation électrique.....	30 W
Dimensions externes (L x H x P, saillies incluses) ..	445 x 162 x 447 mm
Poids	35 kg
Température de fonctionnement	+5 °C à +35 °C
Hygrométrie de fonctionnement	5 % à 85 % (sans condensation)
Température de stockage.....	–20 °C à +55 °C

Accessoires fournis

Cordon d'alimentation x 1
Télécommande (RC-1315) x 1
Piles pour télécommande (AAA) x 2
Patins en feutre x 4
Bouchons (pour prises DC IN) x 2
Mode d'emploi (ce document) x 1
Carte de garantie x 1

- Caractéristiques techniques et aspect sont sujets à changements sans préavis.
- Le poids et les dimensions sont des valeurs approchées.
- Les illustrations de ce mode d'emploi peuvent légèrement différer des modèles de production.

Schémas avec cotes

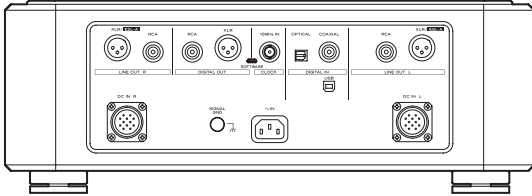
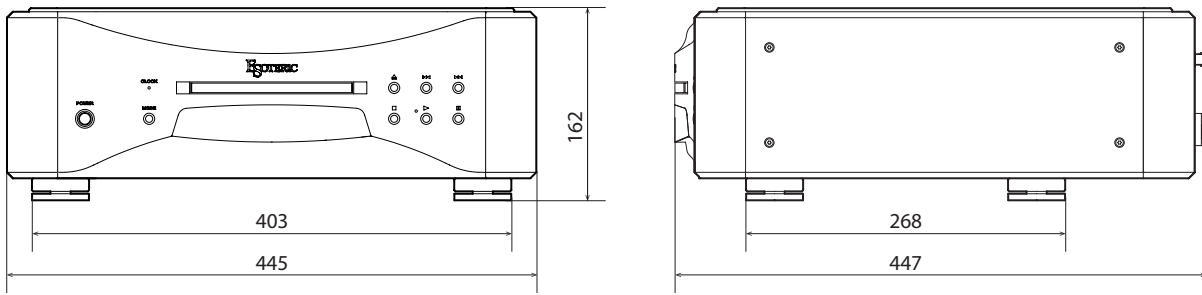
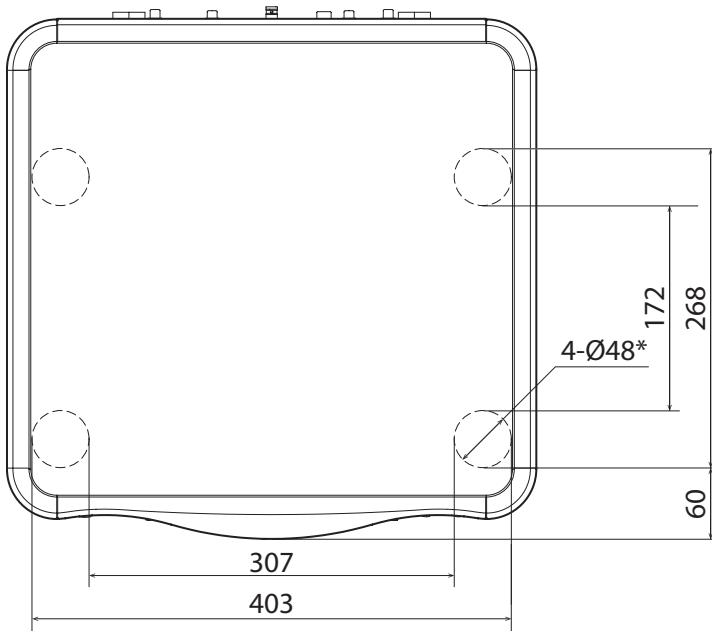


Schéma de positionnement des pieds



Les dimensions sont en millimètres (mm)

*Pieds de 48 mm de diamètre × 4

INSTRUCCIONES IMPORTANTES DE SEGURIDAD



CAUTION
RISK OF ELECTRIC SHOCK
DO NOT OPEN



PRECAUCIÓN: PARA REDUCIR EL RIESGO DE DESCARGA ELÉCTRICA, NO quite la cubierta (NI EL PANEL POSTERIOR). NO HAY PIEZAS INTERNAS QUE EL USUARIO PUEDA REPARAR. PARA REPARACIONES, REMÍTASE A UN SERVICIO TÉCNICO CUALIFICADO.



El símbolo del rayo acabado en flecha dentro de un triángulo equilátero alerta al usuario de la presencia de un "voltaje peligroso" sin aislar dentro de la carcasa del producto que puede ser de magnitud suficiente como para constituir riesgo de descarga eléctrica para las personas.



El signo de exclamación dentro de un triángulo equilátero alerta al usuario de la presencia de importantes instrucciones de funcionamiento y mantenimiento en la literatura que acompaña al aparato.

AVISO: PARA EVITAR RIESGO DE INCENDIO O DESCARGAS ELÉCTRICAS, NO EXPONGA ESTE APARATO A LA LLUVIA NI A LA HUMEDAD.

PRECAUCIÓN

- NO quite las carcasas externas ni deje al aire la electrónica. ¡EN EL INTERIOR NO HAY PIEZAS QUE EL USUARIO PUEDA MANIPULAR!
- SI EXPERIMENTA PROBLEMAS CON ESTE PRODUCTO, PÓNGASE EN CONTACTO CON EL ESTABLECIMIENTO DONDE ADQUIRIÓ LA UNIDAD PARA SOLICITAR SERVICIO TÉCNICO. NO UTILICE EL APARATO HASTA QUE HAYA SIDO REPARADO.
- EL USO DE CONTROLES, AJUSTES O PROCEDIMIENTOS QUE NO SEAN LOS ESPECIFICADOS EN ESTE MANUAL PUEDE CAUSAR EXPOSICIÓN A RADIACIONES PELIGROSAS.

- 1) Lea estas instrucciones.
- 2) Conserve estas instrucciones.
- 3) Cumpla con lo indicado en los avisos.
- 4) Siga todas las instrucciones.
- 5) No utilice este aparato cerca del agua.
- 6) Límpielo solo con un trapo seco.
- 7) No bloquee ninguna de las ranuras de ventilación. Instale este aparato de acuerdo con las instrucciones del fabricante.
- 8) No instale este aparato cerca de fuentes de calor como radiadores, calentadores, hornos u otros aparatos (incluyendo amplificadores) que produzcan calor.
- 9) No elimine el sistema de seguridad que supone el enchufe polarizado o con toma de tierra. Un enchufe polarizado tiene dos bornes, uno más ancho que el otro. Uno con toma de tierra tiene dos bornes iguales y una tercera lámina para la conexión a tierra. El borne ancho o la lámina se incluyen para su seguridad. Si el enchufe que venga con la unidad no encaja en su salida de corriente, haga que un electricista cambie su salida anticuada.

10) Evite que el cable de corriente quede de forma que pueda ser pisado o quedar retorcido o aplastado, especialmente en los enchufes, receptáculos o en el punto en el que salen del aparato.

11) Use solo accesorios / complementos especificados por el fabricante.

12) Utilice este aparato solo con un soporte, trípode o bastidor especificado por el fabricante o que se venda con el propio aparato. Cuando utilice un bastidor con ruedas, tenga cuidado al mover la combinación de aparato/bastidor para evitar que vuelque y puedan producirse daños.



13) Desconecte este aparato de la corriente durante las tormentas eléctricas o cuando no lo vaya a usar durante un periodo de tiempo largo.

14) Dirija cualquier posible reparación solo al servicio técnico oficial. Este aparato deberá ser reparado si se ha dañado de alguna forma, como por ejemplo si el cable de corriente o el enchufe están rotos, si ha sido derramado algún líquido sobre la unidad o algún objeto ha sido introducido en ella, si ha quedado expuesto a la lluvia o la humedad, si no funciona normalmente o si ha caído al suelo en algún momento.

- Este aparato libera corriente nominal no válida para el funcionamiento a través de la toma de corriente, aún cuando el interruptor de encendido y activación (POWER o STANDBY/ON) no esté en la posición de encendido (ON).
- El enchufe que se conecta a la red es el dispositivo de desconexión, por lo que deberá permanecer siempre en perfecto estado de uso.
- Deberá llevar cuidado si utiliza auriculares con este producto, ya que una excesiva presión sonora (volumen) procedente de los mismos puede causar pérdidas de audición.

AVISO

Los productos con construcción de Clase **I** están equipados con un cable de alimentación que tiene conexión de tierra. El cable de estos productos deberá conectarse a una toma de corriente que tenga conexión de protección de tierra.

EN EE. UU./CANADÁ, UTILICE SOLO ALIMENTACIÓN CON CORRIENTE DE 120 V.

PRECAUCIÓN

- No exponga este aparato a salpicaduras ni goteras.
- No coloque objetos que contengan líquidos, como por ejemplo jarrones, sobre el aparato.
- No instale este aparato en lugares cerrados tales como estanterías o similares.
- Este aparato debe situarse lo suficientemente cerca de una toma de electricidad como para poder alcanzar fácilmente el cable de corriente en cualquier momento.
- Si el producto utiliza pilas (esto incluye las pilas instaladas y los "packs" de pilas), se evitará su exposición directa al sol, al fuego o a cualquier otra fuente de calor excesivo.
- PRECAUCIÓN con los productos que emplean baterías de litio reemplazables: existe peligro de explosión si la batería se reemplaza por otra de tipo incorrecto. Reemplácela sólo por otra igual o de tipo equivalente.

INSTRUCCIONES IMPORTANTES DE SEGURIDAD (continuación)

⚠ Precauciones con respecto a las pilas

Un mal uso de las pilas puede hacer que se rompan o que tengan fugas y ello causar fuego, lesiones u oxidación en los objetos cercanos. Por favor, lea y observe las siguientes precauciones cuidadosamente.

- Asegúrese de introducir las pilas siempre con la correcta orientación de los polos positivo (+) y negativo (-).
- Use pilas del mismo tipo. Nunca utilice juntas pilas de tipos diferentes.
- Si no va a utilizar el mando a distancia durante mucho tiempo (más de un mes), quite las pilas para evitar que se sulfaten y tengan fugas.
- Si las pilas presentan fugas, limpie el líquido que haya caído en el compartimento y sustituya las pilas por otras nuevas.
- No utilice pilas que no sean del tipo especificado. No mezcle pilas nuevas con viejas ni utilice juntas pilas de tipos distintos.
- No caliente ni desarme las pilas. Nunca tire pilas al fuego ni al agua.
- No transporte ni almacene pilas con otros objetos metálicos. Las pilas podrían producir cortocircuitos, perder líquido o explotar.
- Nunca recargue una pila si no está completamente seguro de que es una pila recargable.

Información sobre el láser

Este producto contiene en el interior de su carcasa un sistema de láser semiconductor y está clasificado como PRODUCTO LÁSER DE CLASE 1". Para evitar quedar expuesto al haz del rayo láser, no intente abrir la carcasa.

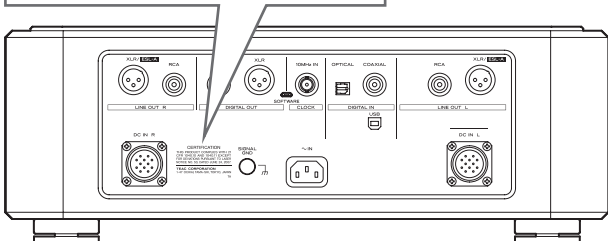
Láser:

Tipo:	RLD2WMFR1
Fabricante:	ROHM Co.,Ltd.
Potencia láser:	Inferior a 0,7 mW en la lente del objetivo
Longitud de onda:	790 ±15 nm (CD) 650 ±10 nm (Super Audio CD)

Modelo para EE. UU.

Este producto ha sido diseñado y fabricado de acuerdo con las normativas de la FDA, título 21, CFR, capítulo 1, subcapítulo J, basado en el Acta de Control de Radiaciones para la Salud y la Seguridad de 1968", y está clasificado como producto láser de Clase I. No se produce radiación láser invisible peligrosa porque la radiación láser invisible emitida en el interior de este producto queda completamente confinada dentro de la carcasa protectora.

La etiqueta exigida por esta normativa es la siguiente:



Declaración de conformidad del suministrador



Número de modelo: Grandioso K1X

Marca comercial: ESOTERIC

Parte responsable:

Pioneer & Onkyo U.S.A. Corporation

Dirección: 22828 Lockness Avenue, Torrance, CA 90501 U.S.A.

Número de teléfono: 1-201-785-2600

Este dispositivo cumple con el apartado 15 de las Normas de la FCC. Su funcionamiento está sujeto a las dos siguientes condiciones:

- 1) Este dispositivo no puede causar interferencias perjudiciales
- 2) Este dispositivo debe aceptar cualquier interferencia recibida, incluidas interferencias que puedan causar anomalías de funcionamiento.

Información

Se ha comprobado que este equipo cumple con los límites establecidos para los dispositivos digitales de Clase B, de acuerdo con el apartado 15 de las Normas de la FCC. Estos límites están diseñados para proporcionar una protección razonable contra interferencias perjudiciales en instalaciones residenciales. Este equipo genera, utiliza y puede irradiar energía de radiofrecuencia y, si no se instala y se utiliza de acuerdo con las instrucciones, puede causar interferencias perjudiciales en las comunicaciones por radio. Sin embargo, no se puede garantizar que dichas interferencias no se produzcan en instalaciones particulares. Si este equipo causa interferencias perjudiciales en la recepción de radio o televisión, que se comprueban apagando y encendiendo el equipo, se recomienda al usuario que intente corregirla mediante una o varias de las siguientes medidas:

- Reoriente o recoloque el equipo y/o la antena receptora.
- Aumente la separación entre el equipo y el receptor.
- Conecte el equipo a una toma de electricidad situada en un circuito eléctrico diferente al del receptor.
- Consulte al distribuidor o solicite ayuda a un técnico de radio/TV con experiencia.

PRECAUCIÓN

Cualquier cambio o modificación efectuada en este equipo que no haya sido expresamente aprobada por la parte responsable del cumplimiento de los requisitos exigidos podría invalidar el derecho del usuario a utilizar el equipo.

Modelo para Europa



Este producto cumple con las exigencias de las directivas europeas y con los reglamentos de la Comisión Europea.

Para consumidores europeos

Deshacerse de aparatos eléctricos, electrónicos, pilas/baterías y acumuladores

- a) Todos los aparatos eléctricos y electrónicos, y pilas/baterías y acumuladores gastados, deben ser eliminados separados del resto de basura común y únicamente en los "puntos limpios" o bajo los procedimientos especificados por el gobierno o autoridades municipales locales.
- b) Con la eliminación correcta de los equipos eléctricos y electrónicos, y de pilas/baterías y acumuladores gastados, estará ayudando a conservar recursos muy valiosos y a evitar los posibles efectos negativos en la salud humana y en el medio ambiente.
- c) La eliminación incorrecta de los equipos eléctricos y electrónicos, y pilas/baterías y acumuladores, puede producir efectos muy dañinos en el medio ambiente y en la salud humana a causa de las sustancias peligrosas que pueden encontrarse en estos equipos.
- d) El símbolo de Eliminación de Aparatos Eléctricos y Electrónicos (WEEE en inglés), identificado por cubos de basura con ruedas tachados, indican que los equipos eléctricos y electrónicos, y las pilas/baterías y acumuladores, deben ser eliminados de forma totalmente independiente con respecto a la basura doméstica.
- Si una pila/batería o un acumulador contienen más cantidad de los valores especificados de plomo (Pb), mercurio (Hg), y/o cadmio (Cd) según está definido en la Directiva relativa a las pilas (2006/66/CE, 2013/56/UE), entonces los símbolos químicos correspondientes a estos elementos estarán indicados debajo del símbolo WEEE.
- e) Existen sistemas para la eliminación y recogida a disposición del usuario final. Si necesita más información sobre cómo deshacerse de aparatos eléctricos y electrónicos antiguos, así como de pilas/baterías y acumuladores, póngase en contacto con su ayuntamiento, con la correspondiente empresa del servicio de recogida de residuos o con el establecimiento donde adquirió ese aparato.



Pb, Hg, Cd



The MQA logo is a trade mark of MQA Limited.

"DSD" is a registered trademark.

"Super Audio CD" is a registered trademark.

This product incorporates copy protection technology that is protected by U.S. patents and other intellectual property rights of Rovi Corporation. The use of Rovi Corporation's copy protection technology in the product must be authorized by Rovi Corporation. Reverse engineering and disassembly are prohibited.

Microsoft and Windows are either registered trademarks or trademarks of Microsoft Corporation in the United States and/or other countries.

Apple, Mac, OS X and macOS are trademarks of Apple Inc., registered in the U.S. and other countries.

Bulk Pet is a registered trademark of INTERFACE CO., LTD.

ESOTERIC is a trademark of TEAC CORPORATION, registered in the U.S. and other countries.

Los nombres de otras compañías, nombres de productos y logos que aparecen en este documento son marcas comerciales o registradas de sus respectivos propietarios.

Al final de este documento se incluye información sobre derechos de propiedad intelectual y licencias en relación al software de código abierto.

Gracias por adquirir este producto ESOTERIC.

Lea este manual atentamente para obtener el mejor rendimiento de este producto. Después de leerlo, guárdelo en un lugar seguro, junto con la tarjeta de la garantía, para futuras consultas.

ATENCIÓN

Esta unidad solamente emite señales analógicas y digitales por los tipos de terminales analógicos y digitales seleccionados en cada momento.

Antes de su utilización, haga los ajustes de las salidas analógicas y digitales.

Consulte "Modo de configuración" en la página 84, y "Ajuste de salida analógica" y "Ajuste de salida digital" en la página 86.

INSTRUCCIONES IMPORTANTES DE SEGURIDAD	63
Antes de su utilización	66
Precauciones de uso	67
Notas sobre los discos	68
Notas sobre el mando a distancia	69
Conexiones	70
Partes y funciones del mando a distancia	72
Partes y funciones de la unidad principal	74
Partes y funciones de la pantalla	75
Reproducción	76
Selección de pistas	78
Modos de reproducción	79
Reproducción repetida	80
Pantalla	80
Brillo de pantalla (dimmer)	81
Cambiar la fuente de entrada	81
Conexión a un ordenador y reproducción de archivos de audio ..	82
Modo de configuración	84
Ajustes 1	85
Ajustes 2	87
MQA (Master Quality Authenticated)	88
Solución de posibles fallos	88
Especificaciones	91
Dibujos con las dimensiones	92

Accesorios incluidos

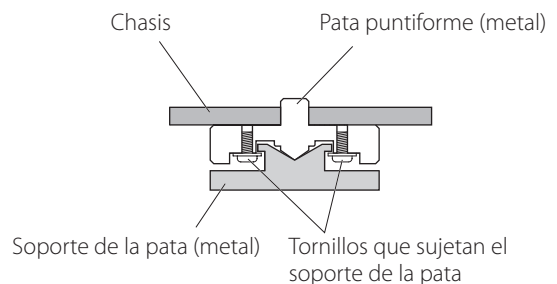
Compruebe que la caja incluye todos los accesorios suministrados que se muestran a continuación. Por favor, póngase en contacto con el establecimiento donde adquirió este producto si falta cualquiera de estos accesorios o si alguno ha sufrido desperfectos durante el transporte.

- Cable de corriente × 1
- Mando a distancia (RC-1315) × 1
- Pilas para el mando a distancia (AAA) × 2
- Almohadillas de fieltro × 4
- Tapas (para la entrada de corriente continua DC IN) × 2
- Manual del usuario (este documento) × 1
- Tarjeta de garantía × 1

Nota sobre las patas puntiformes

Esta unidad tiene unas patas puntiformes metálicas de alta precisión que están firmemente sujetas a la placa inferior.

Los soportes de estas patas están sueltos, pero cuando se coloca la unidad sobre una superficie, son estas patas puntiformes las que soportan la unidad dispersando de manera efectiva las vibraciones.



- Coloque en la parte inferior de los soportes de las patas las almohadillas de fieltro incluidas para evitar rayar la superficie sobre la que se ponga la unidad.

Precauciones de uso

- Esta unidad pesa bastante, por lo que deberá tener cuidado para evitar lesiones durante la instalación.
- No instale esta unidad donde pueda calentarse. Esto incluye lugares que estén expuestos a la luz solar directa o cercanos a un radiador, calefactor, estufa o cualquier otro aparato de calefacción. Tampoco coloque esta unidad encima de un amplificador u otro equipo que genere calor. Si lo hace, la unidad podría decolorarse o deformarse.
- Para permitir una buena disipación del calor, deje al menos 20 cm entre esta unidad y las paredes u otros componentes del equipo cuando la instale.
Si la coloca en un rack, tome precauciones para evitar un sobrecalentamiento, dejando al menos 5 cm libres por encima de la unidad y 10 cm por detrás.
Si no deja estos márgenes de seguridad, el calor podría acumularse en el interior y provocar un incendio.
- Si se instala en un rack que tenga una puerta de cristal, no utilice el botón OPEN/CLOSE (▲) (apertura/cierre de la bandeja) del mando a distancia para abrir la bandeja de disco si la puerta está cerrada. Si se impide el movimiento de la bandeja por la fuerza, puede resultar dañada.
- Coloque la unidad en un lugar estable.
- No coloque nada encima de esta unidad.
- No levante ni mueva la unidad durante la reproducción, porque el disco gira a alta velocidad y puede dañarse.
- Antes de mover la unidad o, por ejemplo, de embalarla para instalarla en un sitio diferente, quite siempre cualquier disco que esté cargado. Si mueve la unidad con un disco en su interior, puede dañarse.
- El voltaje suministrado a la unidad deberá ser el mismo que está impreso en su parte posterior. Si tiene dudas al respecto, consulte a un electricista.
- No abra la carcasa de la unidad porque podría causar daños en los circuitos o una descarga eléctrica. En caso de que se introduzca un objeto extraño en la unidad, contacte con su distribuidor.
- Cuando desenchufe el cable de corriente de la toma de electricidad, tire siempre directamente del conector. Nunca tire del cable.

Precaución al grabar con un dispositivo conectado

Algunos discos incluyen señales para impedir que se copien. No se puede grabar la señal de audio digital como tal desde un disco que tenga protección contra copia (se puede grabar el audio como una señal analógica).

Mantenimiento

Utilice un paño suave y seco para limpiar la superficie de la unidad. Para manchas difíciles, use un paño húmedo que haya sido bien escurrido para eliminar el exceso de líquido.

- Nunca pulverice líquido directamente sobre esta unidad.
- No utilice gamuzas ni paños impregnados con productos químicos, ni disolvente u otras sustancias químicas, ya que pueden dañar la superficie de la unidad.
- Evite que materiales de goma o de plástico estén en contacto con la unidad durante largos períodos de tiempo, ya que pueden dañar la carcasa.



Por seguridad, desenchufe el cable de corriente de la toma de electricidad antes de proceder a la limpieza.

Notas sobre los discos

Los símbolos que se muestran a continuación aparecen en los discos y en sus cajas. Esta unidad puede reproducir los discos identificados con estos símbolos sin utilizar un adaptador.

Esta unidad no puede reproducir los discos que no estén identificados con estos símbolos.

Tipos de discos que se pueden reproducir en esta unidad y sus símbolos



Si intenta reproducir cualquier otro tipo de disco con esta unidad, puede originar ruidos a volumen alto capaces de causar daños a los altavoces o lesionar sus oídos. Nunca intente reproducir otros tipos de discos que no sean los mencionados anteriormente.

- Esta unidad no puede reproducir discos DVD vídeo, DVD audio, Vídeo CD, DVD-ROM y CD-ROM, entre otros.
- Es posible que esta unidad no reproduzca correctamente discos duales (DualDisc), discos CD con control de copia u otros CD especiales que no cumplan con la normativa estándar del Libro Rojo del CD. Si se utilizan discos especiales en esta unidad, no se garantiza el funcionamiento ni la calidad del sonido. Si la reproducción de un disco especial le causa problemas, póngase en contacto con el vendedor del disco.

Discos CD-R/CD-RW

Esta unidad puede reproducir discos CD-R/CD-RW que hayan sido grabados en formato de CD audio.

- Asegúrese de finalizar los discos creados con grabadoras de CD.

Dependiendo de la calidad del disco y de las condiciones de la grabación, es posible que algunos discos no puedan reproducirse. Para más información, consulte el manual de instrucciones del dispositivo que esté utilizando.

Manejo de los discos

- Cargue los discos con el lado rotulado hacia arriba (los CD solo pueden reproducirse por una cara).
- Para sacar un disco de su caja, presione primero hacia abajo en el centro de la caja y, a continuación, sujete el disco por sus bordes.

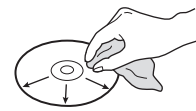
Para sacarlo de la caja



Sujételo por los bordes

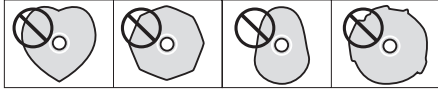


- Maneje los discos con cuidado. Si el lado del disco que contiene los datos (el lado sin rotular) está rayado, tiene huellas o está sucio o empañado, pueden producirse errores de reproducción.
- Si el lado del disco que contiene los datos grabados (el lado sin rotular) se ensucia con huellas o polvo, utilice un paño suave para limpiar la superficie, limpiando desde el centro hacia los bordes. Limpie los discos siempre antes de guardarlos. Si un disco se guarda sucio, puede degradarse su calidad de sonido.



- Nunca utilice limpiadores de discos, tratamientos antiestáticos, disolventes o productos químicos similares para limpiar los discos. Tales productos químicos pueden dañar la superficie del disco.
- No deje los discos en lugares expuestos a la luz del sol directamente o que sean muy húmedos o muy calurosos.
- Si escribe sobre el lado rotulado de un disco, utilice un rotulador de tinta permanente con punta de fieltro. Si usa un bolígrafo u otro objeto de escritura con punta dura, puede estropear el disco y convertirlo en irreproducible.
- Después de terminar la reproducción de un disco, vuelva a guardarlo siempre en su caja. Si no lo hace, puede deformarse o rayarse.
- No ponga etiquetas ni otros materiales en los discos. No utilice discos que tengan residuos de pegamento en su superficie después de quitar una pegatina, adhesivo o similar. Si carga en la unidad un disco en estas condiciones, puede quedarse pegado en el interior de la unidad o dañarla.

- Nunca utilice estabilizadores de CD de los que venden en establecimientos comerciales. Si lo hace, puede estropear el disco o dañar la unidad.
- No utilice discos rotos porque pueden estropear la unidad.
- Nunca utilice discos con formas irregulares, como discos con forma de corazón u octogonales, porque pueden dañar la unidad.



- No utilice discos imprimibles (los que permiten la impresión sobre el lado rotulado). Dado que la superficie de dichos discos ha recibido un tratamiento especial para ello, si se cargan en la unidad pueden quedarse pegados dentro de la unidad o dañarla.

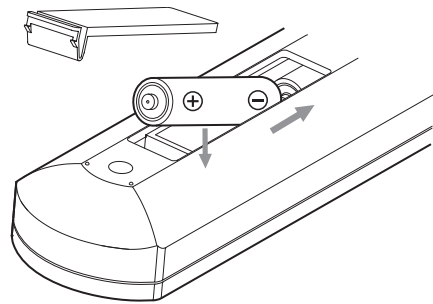
Si tiene dudas de cómo utilizar un disco CD-R o CD-RW, póngase en contacto con el fabricante del disco directamente.

Precauciones al utilizar el mando a distancia

- Cuando utilice el mando a distancia, apunte con él hacia el receptor de la señal del mando a distancia que hay en la unidad principal, a una distancia de 7 m o menos. No coloque obstáculos entre la unidad principal y el mando a distancia.
- El mando a distancia podría no funcionar si el receptor de la señal del mando a distancia está expuesto a la luz solar directamente o a una luz intensa.
- Tenga cuidado, ya que el uso de este mando a distancia podría causar el funcionamiento involuntario de otros dispositivos que puedan ser controlados por rayos infrarrojos.

Instalación de las pilas

Quite la tapa de la parte posterior del mando a distancia e introduzca en el compartimento dos pilas AAA con su polos \oplus/\ominus orientados como se muestra. Vuelva a colocar la tapa.



Cuándo sustituir las pilas

Si la distancia requerida entre el mando a distancia y la unidad principal disminuye o si la unidad principal deja de responder a los botones del mando a distancia, cambie ambas pilas por otras nuevas. Deshágase de las pilas usadas según las instrucciones que figuren en las mismas o los requisitos establecidos por las autoridades locales.



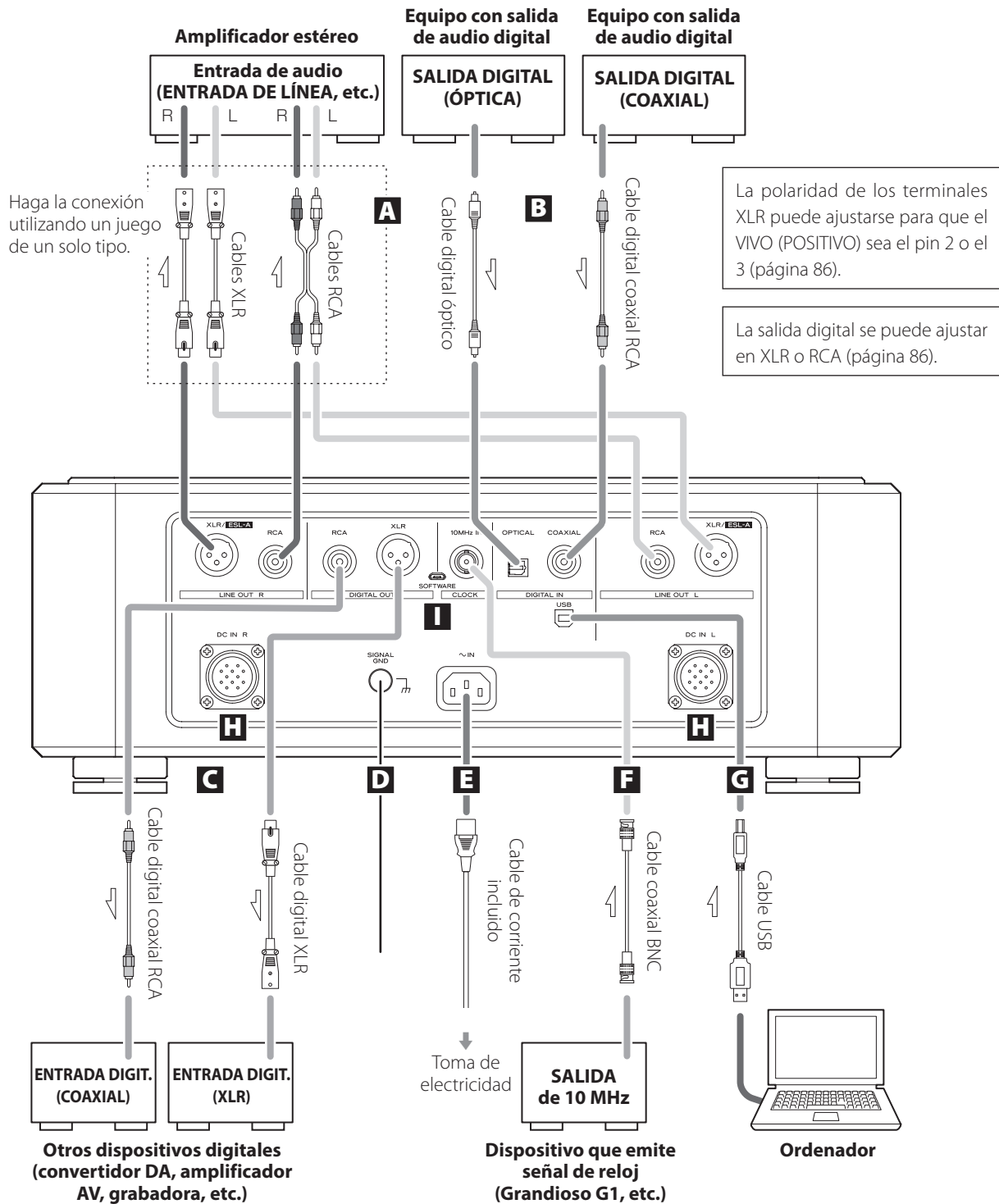
Precauciones con respecto a las pilas

Un mal uso de la pilas podría hacer que se rompan o se sulfaten (pierdan líquido), lo que podría originar fuego, lesiones o la oxidación de materiales cercanos.

Por favor, lea y observe las instrucciones de las precauciones de la página 64 con atención.

⚠ Precauciones al realizar la conexiones

- Termine todas las conexiones antes de enchufar el cable de corriente a una toma de electricidad.
- Lea los manuales de instrucciones de todos los dispositivos que se van a conectar y siga sus indicaciones.



A Terminales de salida de audio analógico (LINE OUT)

Por estos terminales sale audio analógico en 2 canales. Conecte los terminales XLR o RCA a un amplificador.

Utilice cables de los disponibles en establecimientos comerciales para las conexiones:

- XLR/ESL-A: cables XLR
- RCA: cables RCA

Conecte el terminal R (derecha) de esta unidad al terminal R del amplificador, y el terminal L (izquierda) al terminal L del amplificador.

- Ajuste la salida analógica en "XLR2", "XLR3", "RCA", "ESLA" u "OFF" (página 86).
- Cuando conecte esta unidad a un amplificador que tenga terminales ES-LINK Analog (ESL-A), le recomendamos conectar los terminales XLR de esta unidad a los terminales ES-LINK Analog (ESL-A) del amplificador (página 72).

B Terminales de entrada de audio digital (DIGITAL IN)

Se utilizan para introducir señales de audio digital. Se pueden conectar a los terminales de salida digital de dispositivos de audio apropiados.

Utilice cables de los disponibles en establecimientos comerciales para las conexiones:

- COAXIAL: cable digital coaxial RCA
- OPTICAL: cable digital óptico (TOS)

C Terminales de salida de audio digital (DIGITAL OUT)

Por estos terminales salen las señales de audio digital procedentes de los CD que se reproducen en esta unidad, y también las señales que se introducen en esta unidad a través de los terminales de entrada de audio digital (DIGITAL IN).

Conecte los terminales de salida de audio digital (DIGITAL OUT) de esta unidad a los terminales de entrada de audio digital de otros dispositivos digitales, como por ejemplo un convertidor DA, un amplificador AV o una grabadora.

Utilice cables de los disponibles en establecimientos comerciales para las conexiones:

- XLR: cable digital XLR
- RCA: cable digital coaxial RCA
- Por estos terminales no puede salir el audio digital de los discos Super Audio CD.
- La salida digital se puede ajustar en "OFF", "XLR" o "RCA" (página 86).


D Terminal de tierra SIGNAL GND


La calidad del audio podría mejorarse conectando este terminal de tierra a un amplificador u otro dispositivo que esté conectado a esta unidad.

- Este terminal no es una toma de tierra de seguridad eléctrica.

E Entrada para el cable de corriente alterna (~IN)

Conecte en esta entrada el cable de corriente alterna (CA) incluido. Termine todas las conexiones antes de enchufar el cable de corriente a una toma de electricidad.

 **Utilice solamente un cable de corriente ESOTERIC original. El uso de otros cables de corriente puede ser causa de incendio o descargas eléctricas.**

 **Desenchufe el cable de corriente de la toma de electricidad si no va a utilizar la unidad durante un largo periodo de tiempo.**

F Terminal CLOCK 10MHz IN

Se utiliza para introducir señales de sincronización de reloj de 10 MHz.

Cuando utilice sincronización de reloj, conecte el terminal de salida de reloj del dispositivo emisor de señal de reloj al terminal de entrada de reloj de esta unidad. A continuación, configure el ajuste de reloj externo (CLK>) en "SYNC" (página 85).

Utilice un cable coaxial BNC de los disponibles en establecimientos comerciales para la conexión.

- Se pueden utilizar cables coaxiales BNC con 50 Ω o 75 Ω de impedancia.

G Puerto USB

Se utiliza para introducir audio digital procedente de un ordenador. Conéctelo al puerto USB del ordenador.

Utilice un cable USB de los disponibles en establecimientos comerciales para la conexión.

- Antes de realizar la conexión, lea las páginas 82 y 83.

H Terminales DC IN

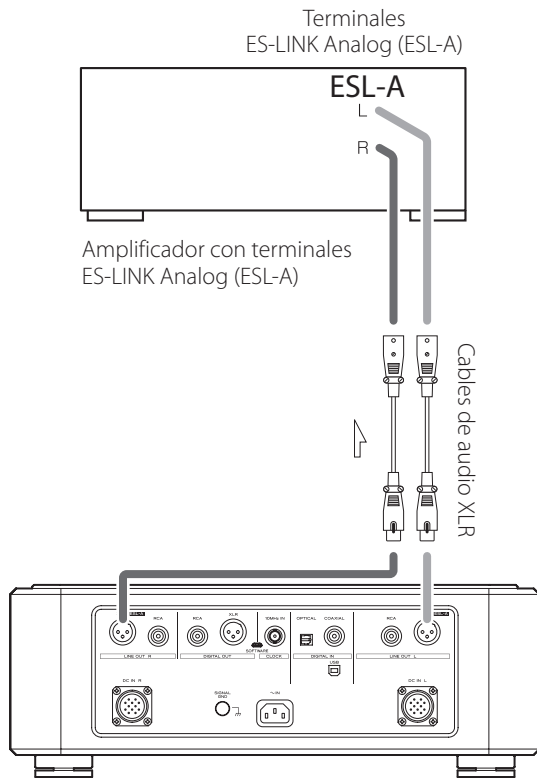
Son para conectar las unidades de alimentación externas diseñadas para el Grandioso K1X.

No conecte aquí ningún otro equipo que no sea el especificado.

I Puerto SOFTWARE (mantenimiento)

Se utiliza para mantenimiento. No conecte nada a este puerto a menos que reciba instrucciones para hacerlo por parte de nuestro servicio técnico.

Conexión a través de ES-LINK Analog



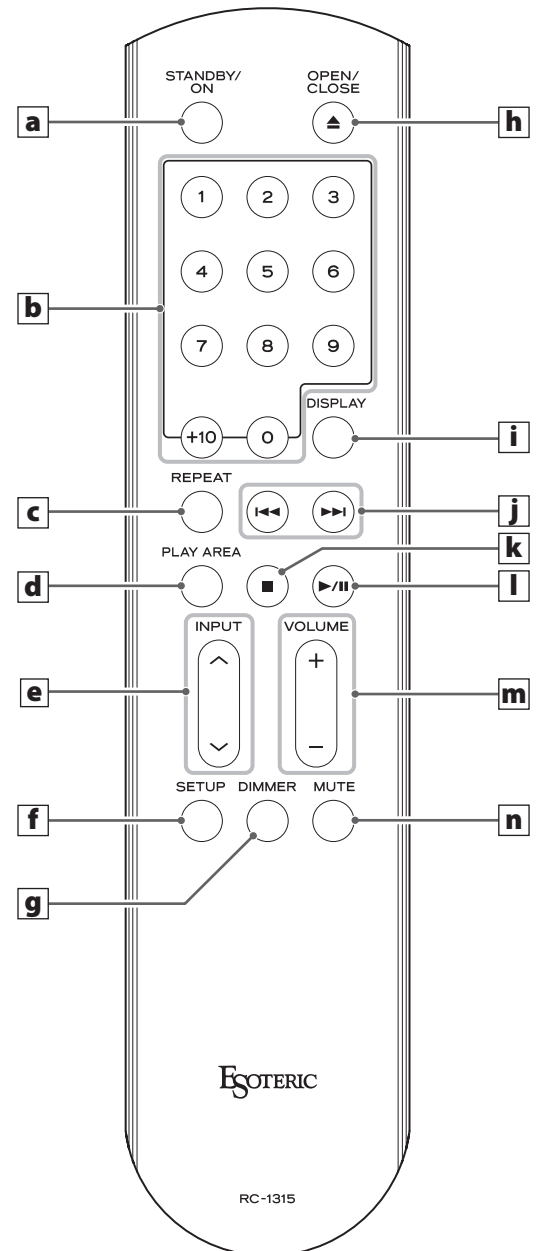
Utilice cables de audio XLR para conectar los terminales de salida de audio analógico (XLR/ESL-A) de esta unidad a un amplificador que tenga terminales ES-LINK Analog (ESL-A).

- Ajuste la salida analógica (AOUT) de esta unidad en "ESLA".
- También puede conectar esta unidad mediante los terminales XLR o RCA. Seleccione el tipo de conexión que proporcione la calidad de audio que prefiera.

Acerca de ES-LINK Analog

Mediante la utilización de un método de transmisión de corriente que utiliza el alto rendimiento de un circuito con búfer HCLD capaz de suministrar altos valores de corriente a gran velocidad, se suprimen los efectos de la impedancia en el recorrido de la señal y se posibilita la transmisión de las señales con pureza y potencia.

- Para la conexión se utilizan cables balanceados normales (con conectores XLR). Sin embargo, estos terminales solo se pueden utilizar con dispositivos compatibles, ya que el formato de transmisión es exclusivo.



Cuando la unidad principal y el mando a distancia tienen botones con la misma función, en este manual solo se explica cómo utilizar uno de los botones. El otro botón se puede utilizar de la misma manera.

a Botón STANDBY/ON

Este botón no se utiliza con esta unidad.

b Botones numéricos

Se utilizan para la selección de pistas y la reproducción programada (páginas 78 y 79).

c Botón REPEAT

Se utiliza para la reproducción repetida (página 80).
Púselo y manténgalo pulsado para cambiar el modo de reproducción (página 79).

d Botón PLAY AREA

Con la reproducción detenida, púselo para cambiar el área de reproducción de un Super Audio CD (página 77).

e Botones INPUT (^/∨)

Estos botones no se utilizan con esta unidad. Se pueden utilizar para cambiar las entradas de amplificadores ESOTERIC.

f Botón SETUP

Este botón no se utiliza con esta unidad. Se puede utilizar con otros productos ESOTERIC, amplificadores incluidos.

g Botón DIMMER (brillo de pantalla)

Se utiliza para ajustar el brillo de la pantalla de la unidad principal (página 81).

h Botón OPEN/CLOSE (▲) (apertura/cierre de la bandeja)

Púselo para abrir y cerrar la bandeja de disco (página 77).

i Botón DISPLAY

Durante la reproducción o con ella en pausa, pulse este botón para cambiar lo que se muestra en la pantalla (página 80).

j Botones de salto (◀◀/▶▶)

Se utilizan para saltar a la pista anterior o siguiente (página 78).
Púselos y manténgalos pulsados al menos un segundo durante la reproducción para buscar hacia delante/hacia atrás. Si repetidamente los pulsa y los mantiene pulsados durante al menos un segundo, cambiará la velocidad de búsqueda hacia atrás/hacia delante (página 78).
También se utilizan para cambiar los parámetros en el modo de ajustes de configuración (página 84).

k Botón de parada (■)

Púselo para parar la reproducción (página 77).

l Botón de reproducción/pausa (▶/||)

Púselo cuando la reproducción esté parada o en pausa para volver a comenzar la reproducción (página 77).
Púselo durante la reproducción para ponerla en pausa (página 77).

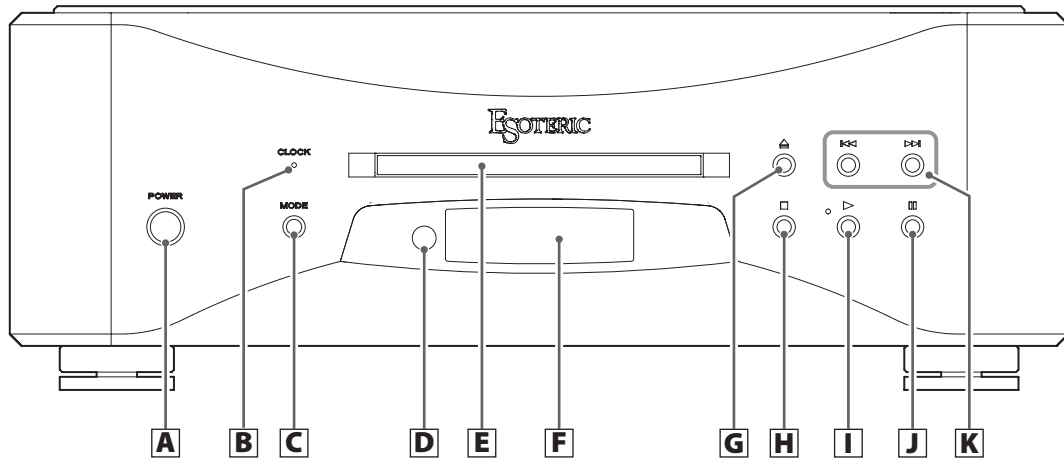
m Botones VOLUME (+/-)

Estos botones no se utilizan con esta unidad. Se pueden utilizar con otros productos ESOTERIC, amplificadores incluidos.

n Botón MUTE

Este botón no se utiliza con esta unidad. Se puede utilizar para silenciar amplificadores ESOTERIC.

Partes y funciones de la unidad principal



A Botón POWER

Púselo para encender y apagar la unidad.
Cuando la unidad está encendida, el anillo de alrededor del botón se ilumina.
Cuando la unidad está apagada, el anillo no se ilumina.

Cuando no utilice la unidad, apáguela.

B Indicador CLOCK

Muestra el estado de la sincronización de reloj.
Este indicador parpadea durante la sincronización de reloj y se ilumina cuando se completa la sincronización.

C Botón MODE

Con la unidad parada, pulse este botón para cambiar la fuente de entrada. Cuando esté ajustado para entrada externa, la unidad se puede utilizar como convertidor D/A (página 81).
Púselo y manténgalo pulsado durante dos o más segundos para cambiar al modo de configuración (página 84).

D Receptor de señales del mando a distancia

Recibe las señales del mando a distancia. Cuando utilice el mando a distancia, apunte el extremo del mando hacia este panel receptor (página 69).

E Bandeja de disco

Cargue aquí un disco para su reproducción (página 76).

F Pantalla

Muestra el tiempo de reproducción, el número de pistas y otra información (página 80).

G Botón de apertura/cierre de la bandeja (▲)

Púselo para abrir y cerrar la bandeja de disco.

H Botón de parada (■)

Púselo para parar la reproducción (página 77).
Con la reproducción parada, púselo y manténgalo pulsado durante al menos dos segundos para cambiar el área de reproducción de un Super Audio CD (página 77).
En el modo de configuración, púselo para completar el cambio de los ajustes y volver a mostrar la pantalla normal (página 84).

I Botón de reproducción (▶)

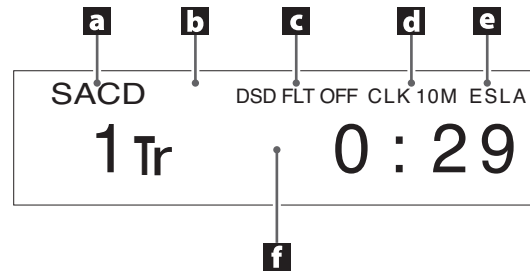
Púselo para iniciar la reproducción del disco (página 76).
Durante la reproducción, se ilumina el indicador situado junto a este botón.

J Botón de pausa (II)

Púselo para poner en pausa la reproducción (página 77).
Cuando la reproducción está en pausa, parpadea el indicador situado junto al botón de reproducción.

K Botones de salto (◀◀/▶▶)

Se utilizan para saltar a la pista anterior o siguiente.
Púselos y manténgalos pulsados al menos un segundo durante la reproducción para buscar hacia delante/hacia atrás. Si repetidamente los pulsa y los mantiene pulsados durante al menos un segundo, cambiará la velocidad de búsqueda hacia atrás/hacia delante (página 78).
También se utilizan para cambiar los parámetros en el modo de ajustes de configuración (página 84).



a Tipo de disco

Muestra el tipo de disco cargado en ese momento.

SACD: Super Audio CD
CD: Audio CD

- Cuando hay cargado un Super Audio CD híbrido, se muestra el tipo de área de reproducción (página 77).

b Modo de reproducción/repetición

Muestra el modo de reproducción/repetición (páginas 79 y 80).

c Información

Durante la reproducción de un Super Audio CD o entrada de señal DSD

Muestra el ajuste del filtro DSD (página 87).

Durante la reproducción de un CD de música o entrada de señal PCM

Sin indicador:

No se está utilizando la función de sobreconversión.

DSD DIRECT:

Si DSD (filtro DSD) está ajustado en "OFF", este indicador aparece cuando se introduce una señal DSD.

UPCONV:

El circuito de sobreconversión sobreconvertirá la señal antes de la conversión de digital a analógico.

- El múltiplo de sobreconversión se muestra a la derecha de UPCONV (página 85).

UPCONV DSD:

El circuito de sobreconversión convertirá la señal PCM a señal DSD antes de la conversión de digital a analógico.

Durante la reproducción de un MQA-CD o entrada de archivo MQA

Muestra información MQA.

d Modo de reloj

Muestra el ajuste de reloj externo (página 85).

Sin indicador:

Cuando CLK está configurado en "OFF".

CLK10M:

Cuando CLK está configurado en "SYNC".

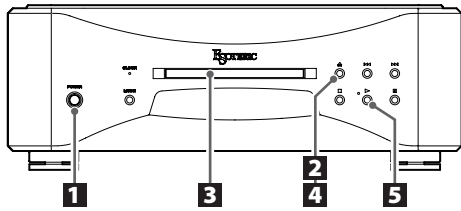
e Ajuste de salida analógica

Muestra el ajuste de salida analógica (AOUT): XLR2, XLR3, RCA o ESLA.

Cuando el ajuste es "OFF" no aparece nada.

f Zona de mensajes

Aquí aparecen el tiempo de reproducción y otros diversos mensajes.



1 Pulse el botón POWER para encender la unidad.

POWER



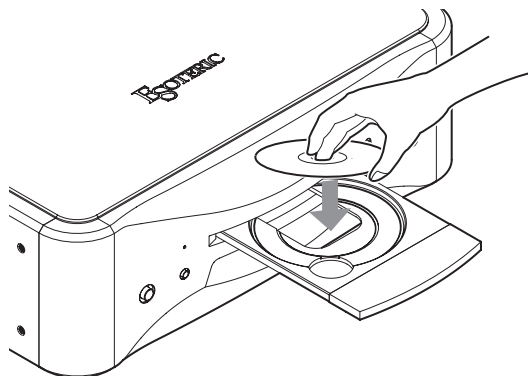
No deje de pulsar hasta que el anillo de alrededor del botón POWER se ilumine.

2 Pulse el botón de apertura/cierre de la bandeja (▲).



La bandeja de disco saldrá hacia delante.

3 Coloque un disco centrado en la bandeja con el lado rotulado hacia arriba.



- Si la bandeja se cierra mientras el disco se encuentra fuera de las guías centrales, el disco podría quedar atascado en el interior y la bandeja podría no volver a abrirse. Asegúrese de colocar siempre los discos dentro de las guías en el centro de la bandeja.

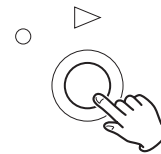
4 Pulse el botón de apertura/cierre de la bandeja (▲).



La bandeja se cerrará. Tenga cuidado de que la bandeja no le pille los dedos al cerrarse.

- La unidad tarda un poco en cargar el disco.
- El área de reproducción del disco se puede cambiar (página 77).

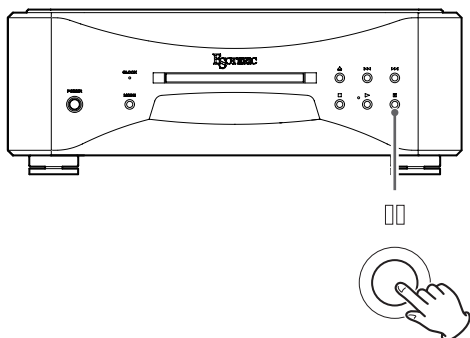
5 Pulse el botón de reproducción (▶).



Comenzará la reproducción.

Durante la reproducción, se ilumina el indicador situado cerca de este botón.

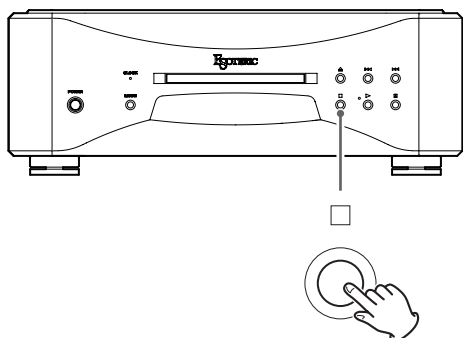
Poner en pausa la reproducción



Durante la reproducción, pulse el botón de pausa (■) para poner en pausa la reproducción. Cuando la reproducción está en pausa, parpadea el indicador situado junto al botón de reproducción (▶).

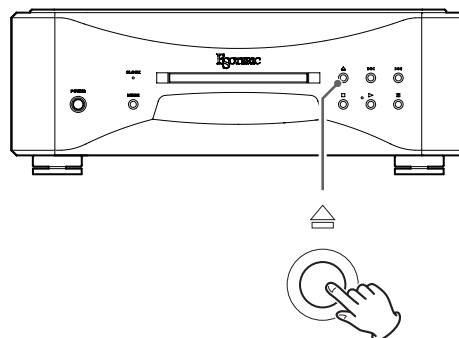
Pulse el botón de reproducción (▶) o de pausa (■) para reanudar la reproducción.

Parar la reproducción



Pulse el botón de parada (■) para parar la reproducción.

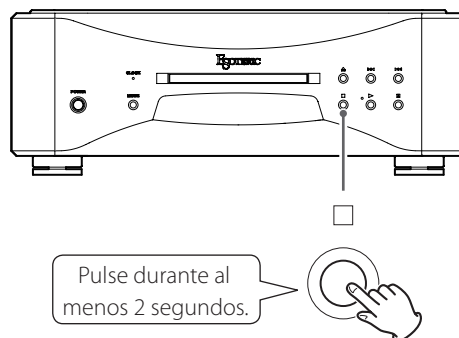
Abrir y cerrar la bandeja de disco



Pulse el botón de apertura/cierre de la bandeja (▲) una vez para abrirla y vuelva a pulsarlo otra vez para cerrarla.

- Si pulsa el botón de apertura/cierre de la bandeja (▲) durante la reproducción del disco, pasarán varios segundos antes de que la bandeja se abra.

Cambiar el área de reproducción

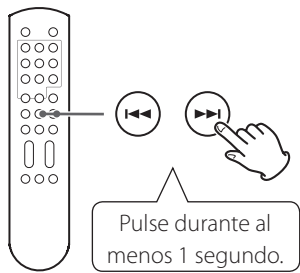


Algunos discos Super Audio CD tienen varias áreas, entre las que se incluyen el área estéreo (2 canales) y el área multicanal. Los discos Super Audio CD híbridos tienen dos capas, conteniendo una de ellas audio de calidad CD estándar.

Con la reproducción parada, pulse el botón de parada (■) durante al menos dos segundos para cambiar el área de reproducción.

- Para cambiar el área de reproducción con el mando a distancia, pulse el botón PLAY AREA cuando la unidad esté parada.
- Esta unidad no es compatible con la reproducción de áreas multicanal de discos Super Audio CD.

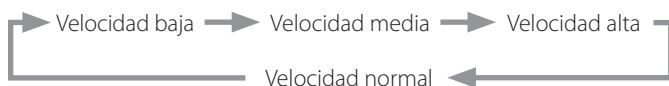
Buscar hacia atrás/hacia delante



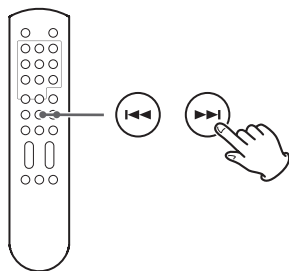
Durante la reproducción, pulse y mantenga pulsado uno de los botones de salto (◀◀/▶▶) (durante al menos un segundo) hasta que comience la búsqueda hacia atrás/hacia delante. Cuando encuentre el punto donde quiera empezar a escuchar, pulse el botón de reproducción (▶) de la unidad principal o el botón de reproducción/pausa (▶/||) del mando a distancia.

Puede cambiar la velocidad de búsqueda hacia delante/hacia atrás si repetidamente pulsa y mantiene pulsado el correspondiente botón de salto (◀◀/▶▶) (durante al menos un segundo cada vez).

También cambia la velocidad con la que < o > parpadea en la pantalla.



Saltar pistas



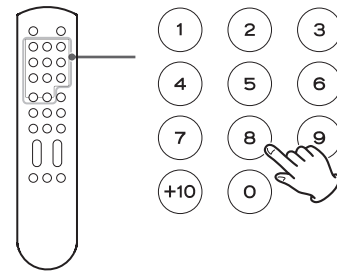
Durante la reproducción, pulse uno de los botones de salto (◀◀/▶▶) para saltar a la pista anterior o a la siguiente y comenzar su reproducción.

- Pulse el botón ◀◀ una vez para regresar al principio de la pista actual. Pulse el botón ◀◀ repetidamente para volver a una pista anterior.

Si la posición de reproducción no llega a un segundo desde el principio de la pista actual, al pulsar el botón ◀◀ saltará al principio de la pista anterior.

- Con la reproducción parada o en pausa, utilice los botones de salto ◀◀/▶▶ para seleccionar una pista y ponerla en pausa al principio de la misma.

Utilización de los botones numéricos para seleccionar una pista para su reproducción



Con la reproducción en marcha o parada, puede pulsar los botones numéricos para seleccionar una pista y empezar a reproducirla.

Para reproducir un número de pista de un solo dígito, pulse el botón numérico correspondiente. Para reproducir un número de pista de dos dígitos, pulse el botón +10 tantas veces como sea necesario y luego pulse el botón numérico correspondiente al segundo dígito. Una vez introducido el número de pista, se iniciará la reproducción.

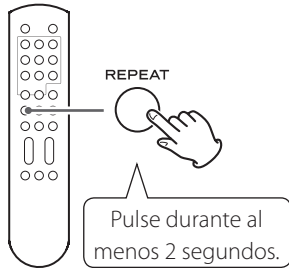
Ejemplos:

Pista 7: (7)

Pista 23: (+10) => (+10) => (3)

Cambiar el modo de reproducción

Con la reproducción parada, pulse el botón REPEAT durante al menos dos segundos para cambiar el modo de reproducción.



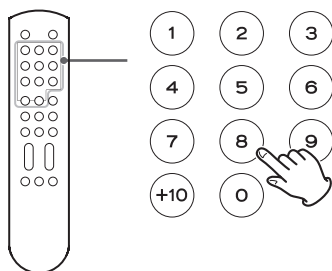
- Si se pulsa el botón de apertura/cierre de la bandeja (▲) o el botón POWER de la unidad principal, se restablecerá el modo a reproducción normal.

Reproducción programada

Puede programar hasta un total de 24 pistas en el orden en que desee escucharlas.

1 Seleccione el modo de reproducción programada.

2 Utilice los botones numéricos para seleccionar las pistas que desee programar.

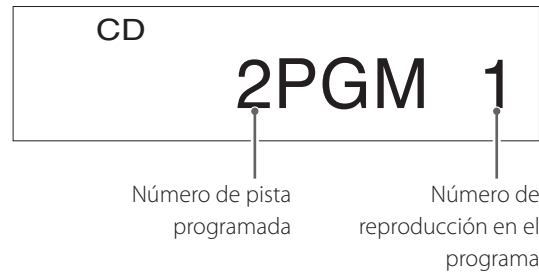


Ejemplos:

Pista 3: (3)

Pista 12: (+10) ⇒ (2)

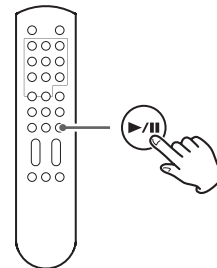
Pista 20: (+10) ⇒ (+10) ⇒ (0)



Para programar varias pistas, siga pulsando los botones numéricos.

- Los números de pistas que no existen en el disco cargado en ese momento no se pueden añadir al programa.

3 Cuando haya terminado de añadir pistas al programa, pulse el botón de reproducción/pausa (▶/||).

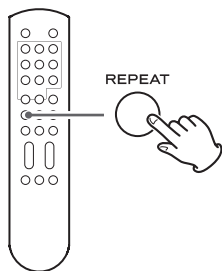


Comenzará la reproducción del programa.

- Si se cambia el modo de reproducción, se borrará el contenido del programa.

Reproducción aleatoria

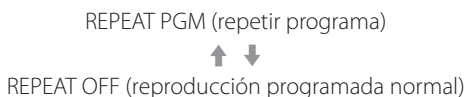
Cuando se selecciona el modo de reproducción aleatoria, si se pulsa el botón de reproducción/pausa (▶/||), se reproducirán las pistas del disco en orden aleatorio.



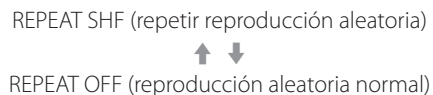
Durante la reproducción normal, pulse el botón REPEAT para recorrer cíclicamente los siguientes modos de repetición:



Durante la reproducción programada, pulse el botón REPEAT para recorrer cíclicamente los siguientes modos de repetición:



Durante la reproducción aleatoria, pulse el botón REPEAT para recorrer cíclicamente los siguientes modos de repetición:



- Si se para la reproducción, finaliza el modo de reproducción repetida.

REPEAT TRK

La pista actual se reproducirá repetidamente. Durante la reproducción repetida, seleccione una pista diferente para repetir la reproducción de esa pista.

REPEAT DISC

Todas las pistas del disco se reproducirán repetidamente.

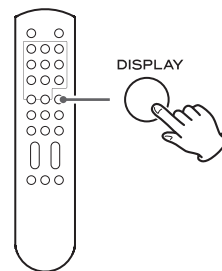
REPEAT PGM

Las pistas programadas se reproducirán repetidamente.

REPEAT SHF

Se repetirá la reproducción aleatoria.

- Cuando todas las pistas se hayan reproducido una vez, el orden de reproducción volverá a ser establecido aleatoriamente.



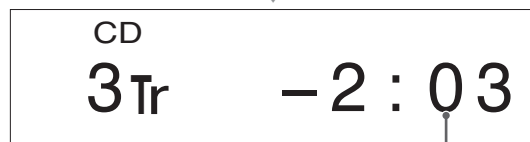
Durante la reproducción del disco y cuando esté en pausa, cada vez que pulse el botón DISPLAY, la información mostrada en la pantalla cambiará como sigue.

Ejemplos:



Pista en reproducción

Tiempo transcurrido de la pista en reproducción



Tiempo que queda de la pista en reproducción



Tiempo transcurrido del disco



Tiempo que queda del disco

- Cuando la reproducción está parada, se muestra el número total de pistas y el tiempo total de reproducción del disco.

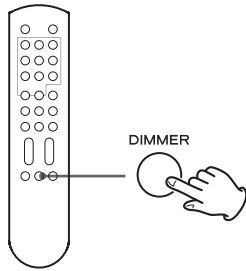
Ejemplo:



Número total de pistas

Tiempo total de reproducción del disco

Brillo de pantalla (dimmer)

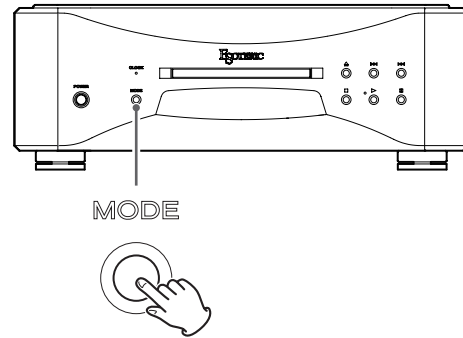


Se puede ajustar el brillo de la pantalla de la unidad principal.

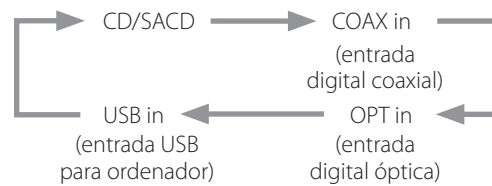


- Incluso aunque esté apagada, la pantalla se iluminará con el brillo normal durante unos tres segundos al pulsar el botón de reproducción/pausa (▶/⏸) o cualquier otro.
- Incluso aunque el ajuste sea DIMMER 1 o "apagada", los menús de configuración y los mensajes de error se mostrarán con el brillo normal (DIMMER 2).

Cambiar la fuente de entrada



Con la reproducción parada, pulse el botón MODE repetidamente para recorrer cíclicamente las siguientes fuentes de entrada:



- Esta unidad se puede utilizar como convertidor D/A cuando la fuente de entrada está configurada como entrada digital externa (COAX in, OPT in o USB in).
- Cuando está seleccionada una entrada digital externa (COAX in, OPT in, USB in), el nombre y la frecuencia de muestreo de la entrada seleccionada aparecen en la pantalla. Si no hay señal de entrada o la unidad no está sincronizada con la señal de entrada, la frecuencia de muestreo de entrada no se muestra y el nombre de la entrada parpadea.
- Si la señal de entrada no es una señal de audio digital o utiliza un formato de señal de audio que no es compatible con esta unidad (tal como Dolby Digital, DTS o AAC), "--" aparecerá en lugar de la frecuencia de muestreo. Configure la salida digital del equipo conectado como salida de audio PCM.
- Cuando está seleccionada una entrada externa (COAX in, OPT in, USB in), no funciona ningún control de disco salvo el botón de apertura/cierre de la bandeja (▲).

Sistemas operativos compatibles

Esta unidad se puede conectar a través de USB para utilizarse con un ordenador que funcione con uno de los sistemas operativos indicados a continuación.

No se garantiza el funcionamiento con otros sistemas operativos (a agosto de 2019).

Si se utiliza Mac

OS X Lion (10.7)
OS X Mountain Lion (10.8)
OS X Mavericks (10.9)
OS X Yosemite (10.10)
OS X El Capitan (10.11)
macOS Sierra (10.12)
macOS High Sierra (10.13)
macOS Mojave (10.14)

Si se utiliza Windows

Windows 7 (32/64 bits)
Windows 8 (32/64 bits)
Windows 8.1 (32/64 bits)
Windows 10 (32/64 bits)

Instalación del controlador (driver)

Si se utiliza Mac

Esta unidad puede funcionar con el software controlador o "driver" estándar del sistema operativo, por lo que no hace falta instalar ningún software controlador.

Sin embargo, para utilizar Bulk Pet es necesario instalar un controlador (driver) específico.

Si se utiliza Windows

Para utilizar esta unidad para la reproducción de archivos en un ordenador, instale el controlador o "driver" específico en el ordenador.

Instalación del controlador en el ordenador

Instale el software controlador específico en el ordenador después de descargarlo de la página indicada a continuación.

Si desea instrucciones detalladas sobre la instalación del controlador, consulte también la siguiente URL:

<https://www.esoteric.jp/en/product/k1x/download>

ADVERTENCIA IMPORTANTE

Debe instalar el software controlador (driver) específico antes de conectar esta unidad a un ordenador a través de un cable USB.

Si conecta la unidad al ordenador a través de USB antes de instalar el controlador, no funcionará correctamente.

Dependiendo del hardware y del software del ordenador, puede darse el caso de que el funcionamiento no sea posible incluso con los sistemas operativos mencionados anteriormente.

Nota sobre los modos de transmisión

Esta unidad se conecta mediante modo isócrono o Bulk Pet.

Las frecuencias de muestreo que se pueden transmitir son 44,1 kHz, 48 kHz, 88,2 kHz, 96 kHz, 176,4 kHz, 192 kHz, 352,8 kHz, 384 kHz, 705,6 kHz y 768 kHz. También admite DSD a 2,8 MHz, 5,6 MHz, 11,2 MHz y 22,5 MHz.

- DSD a 22,5 MHz solo se admite con reproducción DSD nativa. No es compatible con reproducción DoP (audio DSD sobre tramas PCM).

Una vez realizada correctamente la conexión, podrá seleccionar "ESOTERIC USB AUDIO DEVICE" como salida de audio del sistema operativo en el ordenador.

Los datos de audio enviados desde el ordenador serán procesados utilizando el reloj de esta unidad durante la transmisión de datos, permitiendo la reducción de fluctuaciones (jitter).

Descarga de la aplicación de reproducción de audio ESOTERIC HR Audio Player

Puede utilizar el reproductor de audio ESOTERIC HR Audio Player para reproducir archivos de audio en un ordenador.

Por favor, descargue esta aplicación gratuita desde la siguiente URL:

https://www.esoteric.jp/en/product/hr_audio_player

ESOTERIC HR Audio Player es un software de reproducción de audio para Windows y Mac que permite la reproducción en alta calidad de fuentes de audio de alta resolución. Puede utilizarlo para disfrutar de la reproducción en alta calidad de fuentes de audio de alta resolución, incluyendo DSD, sin necesidad de hacer ajustes complicados.

Nota sobre la configuración de ESOTERIC HR Audio Player

Para reproducir grabaciones DSD a 22,5 MHz con ESOTERIC HR Audio Player, abra la ventana "Configure" (Configuración) y ajuste "Decode mode" (Modo de decodificación) en "DSD Native" (DSD nativo).

Para reproducir otros formatos que no sean DSD a 22,5 MHz, la configuración puede ser indistintamente "DSD over PCM" (DSD sobre PCM) o "DSD Native" (DSD nativo), como prefiera.

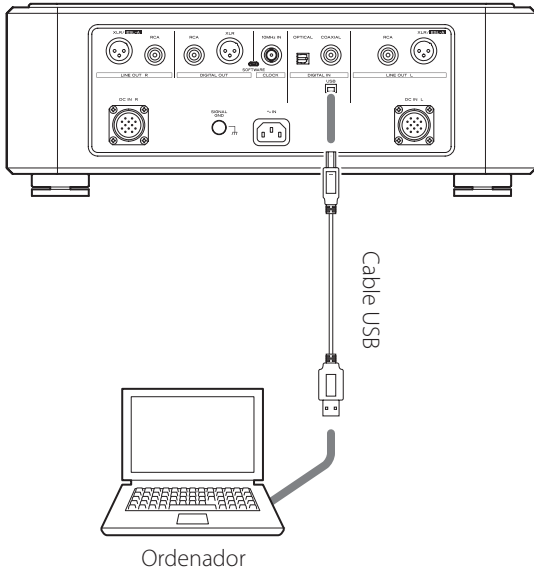
Para más información, consulte "Selecting DSD decoding mode" (Seleccionar el modo de decodificación DSD) en el Manual del usuario de ESOTERIC HR Audio Player.

Reproducción de archivos de audio

1 Conecte esta unidad al ordenador mediante un cable USB.

Utilice un cable que tenga el conector adecuado para esta unidad.

- El puerto USB de esta unidad es un conector de tipo B.



2 Encienda el ordenador.

Confirme que el sistema operativo se ha iniciado correctamente.

3 Pulse el botón POWER para encender la unidad.



4 Pulse el botón MODE repetidamente para seleccionar "USB in" (página 81).



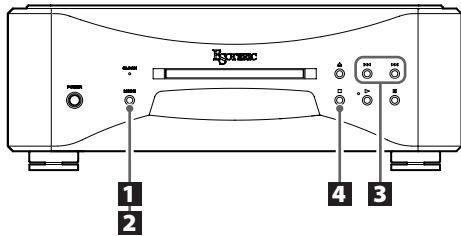
5 Comience a reproducir un archivo de audio en el ordenador.

Para obtener mejor calidad de audio, ponga el volumen del ordenador al máximo y ajuste el volumen del amplificador conectado a esta unidad. Ponga el volumen del amplificador al mínimo cuando comience la reproducción y vaya aumentándolo gradualmente.

- El ordenador no se puede utilizar para controlar esta unidad ni esta unidad se puede utilizar para controlar el ordenador.
- Esta unidad no puede transmitir archivos de audio al ordenador a través de USB.
- No lleve a cabo ninguna de las siguientes operaciones cuando se esté reproduciendo un archivo de audio a través de la conexión USB. Si lo hace, podría causar anomalías de funcionamiento en el ordenador. Salga siempre del software de reproducción de audio antes de llevar a cabo alguna de las siguientes acciones:
 - Desconectar el cable USB
 - Apagar esta unidad
 - Cambiar la entrada
- Cuando se reproducen archivos de audio a través de la conexión USB, también se transmiten los sonidos propios del funcionamiento del ordenador. Para evitar que estos sonidos se escuchen, haga los ajustes pertinentes en el ordenador.
- Si inicia el software de reproducción de audio antes de conectar esta unidad al ordenador o antes de seleccionar "USB in" como entrada, los archivos de audio podrían no reproducirse correctamente. Si esto ocurre, reinicie el software de reproducción de audio o reinicie el ordenador.

Modo de configuración

Los ajustes de configuración de esta unidad están divididos en dos grupos: Ajustes 1 y Ajustes 2. Dependiendo de cómo se pulse el botón MODE, se mostrará el grupo de Ajustes 1 o Ajustes 2.



Cambiar los ajustes

1 Durante la reproducción o con ella parada, pulse el botón MODE durante al menos dos segundos.



Se mostrará Ajustes 1. Para mostrar Ajustes 2, pulse otra vez el botón MODE durante al menos dos segundos mientras se muestra Ajustes 1.

2 Pulse el botón MODE repetidamente para seleccionar el apartado de configuración que desee cambiar.



Cada vez que pulse el botón MODE, el apartado que aparece en la pantalla cambiará como sigue:

Ajustes 1

UPC>
↓
CLK>
↓
AOOUT>
↓
DOOUT>
↓
DPaOFF>
↓
APS>

Ajustes 2

PCMM>
↓
PCMG>
↓
DSDF>
↓
AUD_UPDATE
↓
MQA_UPDATE

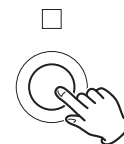
- Dependiendo de la fuente seleccionada y del estado operativo, algunos apartados podrían no aparecer.
- Si no hace nada durante diez segundos o más, el modo de configuración se cancelará y se reanudará la pantalla normal. Sin embargo, el modo de configuración no se cancelará cuando estén en uso AUD_UPDATE o MQA_UPDATE de Ajustes 2.

3 Utilice los botones de salto ◀◀/▶▶ para cambiar ajustes.



Para cambiar varios apartados, repita los pasos **2** y **3**.

4 Pulse el botón de parada (■).



El modo de configuración se cancelará y reaparecerá la pantalla normal.

- El modo de configuración también se cancelará y reaparecerá la pantalla normal si no se hace nada durante diez segundos. Sin embargo, el modo de configuración no se cancelará cuando estén en uso AUD_UPDATE o MQA_UPDATE de Ajustes 2.
- Los ajustes se conservan aunque se desconecte el cable de corriente.

Ajustes de sobreconversión de señales PCM

UPC>***

Las señales PCM procedentes de la reproducción de CD o de una entrada digital externa (COAX in, OPT in, USB in) pueden sobreconvertirse o convertirse en señales DSD.

- El ajuste por defecto es "ORG".
- Este ajuste se puede hacer para cada entrada.
- Durante la reproducción de un Super Audio CD, la señal DSD es enviada directamente al convertidor D/A sin sobreconversión.

ORG

No se produce sobreconversión.

- La señal de entrada es enviada al convertidor D/A sin sobreconversión.

2Fs

Cuando se introducen señales PCM con frecuencias inferiores a 88,2 kHz, se sobreconvierten antes de ser convertidas de digitales a analógicas.

4Fs

Cuando se introducen señales PCM con frecuencias inferiores a 176,4 kHz, se sobreconvierten antes de ser convertidas de digitales a analógicas.

8Fs

Cuando se introducen señales PCM con frecuencias inferiores a 352,8 kHz, se sobreconvierten antes de ser convertidas de digitales a analógicas.

16Fs

Cuando se introducen señales PCM con frecuencias inferiores a 705,6 kHz, se sobreconvierten antes de ser convertidas de digitales a analógicas.

DSD

Las señales se convierten a DSD antes de ser convertidas de digitales a analógicas.

Ajuste de reloj externo

CLK>***

Se utiliza para establecer la sincronización con un reloj externo.

- El ajuste por defecto es "OFF".
- Ajústelo en "OFF" cuando se conecte a un dispositivo fuente (que no sea la entrada USB) que no admita sincronización de reloj.

OFF

No se utiliza sincronización de reloj. La unidad funcionará con el reloj de la señal digital de entrada.

Con la entrada USB, se utilizará el oscilador interno.

El indicador CLOCK no se ilumina.

SYNC

En este modo, la unidad se sincroniza con la señal de reloj de 10 MHz introducida a través del terminal CLOCK 10MHz IN desde un generador de reloj.

El indicador CLOCK se ilumina. El indicador CLOCK parpadea durante el proceso de sincronización o si la sincronización no es posible.

- La frecuencia de reloj que puede introducirse es 10 MHz. La señal de audio de entrada y la señal de reloj de entrada deben estar sincronizadas.
- Tenga en cuenta que durante la reproducción de música, si se apaga el generador de reloj o si se desconecta el cable coaxial BNC que está suministrando la señal de reloj de 10 MHz, y por tanto la señal de reloj se detiene, podría salir ruido a alto volumen por los altavoces.

Ajuste de salida analógica

AOUT>***

Se utiliza para seleccionar el terminal de salida analógica que se va a usar.

- El ajuste por defecto es "XLR2".

XLR2

Las señales de audio analógico salen por los terminales XLR con pin 2 VIVO (POSITIVO).

XLR3

Las señales de audio analógico salen por los terminales XLR con pin 3 VIVO (POSITIVO).

RCA

Las señales de audio analógico salen por los terminales RCA.

ESLA

Las señales de audio analógico salen como ES-LINK Analog (ESL-A) a través de los terminales XLR.

- Estas conexiones utilizan cables XLR normales, pero las señales se transmiten en un formato exclusivo, por lo que este ajuste solo debe utilizarse con dispositivos compatibles.
- Consulte la página 72 para más información sobre ES-LINK Analog (ESL-A).

OFF

Las salidas analógicas están inactivas y el convertidor D/A está desactivado.

Ajuste de salida digital

DOOUT>***

Se utiliza para seleccionar el terminal de salida digital que se va a usar.

- El ajuste por defecto es "OFF".
- La señal sale sin sobreconversión.
- Durante la reproducción de Super Audio CD, se ajusta automáticamente en "OFF".

OFF

No se emite audio digital.

XLR

La señal de audio digital de reproducción de CD sale por el terminal XLR DIGITAL OUT.

RCA

La señal de audio digital de reproducción de CD sale por el terminal RCA DIGITAL OUT.

Ajuste del oscurecimiento automático de la pantalla

DPaOFF>***

Utilice este ajuste para que la pantalla se oscurezca automáticamente.

- El ajuste por defecto es "ON".
- Si la pantalla OEL se deja encendida con la misma indicación durante mucho tiempo, pueden ocurrir irregularidades en el brillo. Por esta razón le recomendamos que ajuste la función de oscurecimiento automático de pantalla en "ON".

ON

Si no se realiza ninguna operación durante diez minutos, la pantalla se apagará automáticamente.

OFF

La pantalla no se apagará automáticamente.

- Si no se realiza ninguna operación durante diez minutos, la pantalla se atenuará a intensidad DIMMER 1 para protegerla de un excesivo desgaste.

Ajuste de ahorro de energía automático

APS>***

Si durante el tiempo establecido no hay ninguna entrada procedente de la fuente de entrada seleccionada, la alimentación se apagará automáticamente.

- El ajuste por defecto es "30m".
- Las fuentes de entrada que no están seleccionadas no influyen sobre la función de ahorro de energía automático.

30m

30 minutos

60m

60 minutos

90m

90 minutos

120m

120 minutos

OFF

La función de ahorro de energía automático está desactivada.

Ajuste del modo de conversión D/A de las señales PCM

PCMM>***

Aquí se ajusta el modo de conversión D/A para las señales PCM procedentes de la reproducción de CD o de una entrada digital externa (COAX in, OPT in, USB in).

Configure este ajuste como desee.

- El ajuste por defecto es "M1".

M1

Se utiliza el modo 1 para la conversión D/A de señales de entrada PCM.

M2

Se utiliza el modo 2 para la conversión D/A de señales de entrada PCM.

M3

Se utiliza el modo 3 para la conversión D/A de señales de entrada PCM.

Ajuste de ganancia de salida PCM

PCMG>***

Se utiliza para establecer la ganancia para la reproducción de señales PCM. Este ajuste se puede utilizar para reducir la diferencia de volumen entre la reproducción de señales PCM y DSD.

Configure este ajuste como sea necesario.

- El ajuste por defecto es "FULL".

FULL

No hay ajuste de ganancia.

LOW

La ganancia de las señales PCM se reduce con respecto al ajuste original antes de la salida.

Utilice este ajuste cuando el volumen de las señales PCM durante la reproducción parezca alto comparado con el volumen de las señales DSD.

Ajuste del filtro DSD

DSDF>***

Se utiliza para establecer el filtro digital durante la reproducción DSD. Configure este ajuste como desee.

- El ajuste por defecto es "OFF".

OFF

No se utiliza filtro digital.

F1

Se utiliza el filtro digital 1.

F2

Se utiliza el filtro digital 2.

F3

Se utiliza el filtro digital 3.

Ajuste de actualización del programa de audio

AUD_UPDATE

Se utiliza para actualizar el programa de procesamiento de las señales de audio de la unidad.

Consulte la explicación incluida con el programa de actualización para más información sobre cómo realizar la actualización.

Ajuste de actualización de MQA

MQA_UPDATE

Se utiliza para actualizar el programa de procesamiento de las señales MQA.

Consulte la explicación incluida con el programa de actualización para más información sobre cómo realizar la actualización.

MQA es una galardonada tecnología británica que proporciona el sonido de la grabación máster original. El archivo MQA máster está totalmente certificado y es lo suficientemente pequeño como para transmitirse por secuencias (streaming) o descargarse.

Encontrará más información en mqa.co.uk.

El Grandioso K1X incluye tecnología MQA, que permite reproducir archivos y transmisiones por "streaming" de audio MQA con el sonido de la grabación máster original.

"MQA" o "MQA." indica que este producto está decodificando y reproduciendo una transmisión por "streaming" o un archivo MQA, y denota la procedencia para garantizar que el sonido es idéntico al del material de origen. "MQA." indica que está reproduciendo un archivo MQA Studio que, o bien ha sido aprobado en el estudio por el artista/productor, o bien ha sido verificado por el propietario de los derechos.

Si tiene un problema con este producto, por favor dedique un momento a revisar la información que le proporcionamos a continuación antes de solicitar servicio técnico. Es más, el problema podría estar causado por algún motivo ajeno a este producto. Por favor, compruebe también el funcionamiento de las unidades conectadas. Si aun así este producto no funciona correctamente, póngase en contacto con el distribuidor donde lo compró.

General

La unidad no se enciende.

- ➔ Enchufe el cable de corriente a una toma de electricidad.
- ➔ Compruebe la conexión del cable de corriente a esta unidad.
- ➔ Compruebe que llega corriente a la toma de electricidad donde está enchufado el cable de corriente, por ejemplo conectando otro aparato.

La unidad se apaga automáticamente.

- ➔ Esto sucede porque la función de ahorro de energía automático la ha apagado.
Pulse el botón POWER de la unidad principal para encenderla.
Cambie el ajuste de la función de ahorro de energía automático si es necesario (página 86).

El mando a distancia no funciona.

- ➔ Encienda de la unidad principal (página 76).
- ➔ Si las pilas están gastadas, cambie ambas por otras nuevas (página 69).
- ➔ El mando a distancia no funcionará si hay obstáculos entre él y la unidad principal. Apunte con el mando a distancia hacia el panel frontal de la unidad desde una distancia inferior a 7 m (página 69).

Una televisión u otro dispositivo no funcionan correctamente.

- ➔ La utilización del mando a distancia de esta unidad podría hacer que algunas televisiones u otros dispositivos con funciones de control remoto inalámbrico funcionen incorrectamente.

No se puede reproducir un CD o un Super Audio CD.

- ➔ Pulse el botón MODE repetidamente para seleccionar "CD/SACD" (página 81).
- ➔ Cargue el disco correctamente. Si el disco está boca abajo, vuelva a cargarlo con la cara de la etiqueta hacia arriba.
- ➔ Si el disco está sucio, límpielo (página 68).
- ➔ Si se ha producido condensación dentro de esta unidad, enciéndala y déjela encendida durante una o dos horas (página 90).

La unidad no responde cuando se pulsán los botones.

- ➔ Múltiples pulsaciones de botones sin parar pueden hacer que la unidad principal deje de responder. Después de pulsar un botón, espere un momento hasta que la unidad principal responda.

Hay ruido.

- ➔ Aleje la unidad lo más posible de televisiones y otros aparatos con fuerte magnetismo.

No sale sonido por los altavoces. El sonido está distorsionado.

- ➔ Compruebe las conexiones con el amplificador y los altavoces (página 70).
- ➔ Ajuste el volumen del amplificador y de los restantes dispositivos.
- ➔ Si el disco está sucio, límpielo (página 68).
- ➔ El audio digital de los Super Audio CD no puede salir por los terminales de salida de audio digital (DIGITAL OUT).
- ➔ Cuando la reproducción está en pausa, no hay sonido. Pulse el botón de reproducción (▶) para reanudar la reproducción normal.
- ➔ Compruebe el ajuste de salida analógica (página 86).

La grabación digital no es posible en un equipo externo conectado.

- ➔ No se puede grabar la señal de audio digital como tal desde un disco que tenga protección contra copia.

Hay una diferencia notable entre el volumen de discos CD y discos Super Audio CD.

- ➔ Puede notar diferencias de volumen entre CD normales y Super Audio CD. Es consecuencia de las diferencias existentes entre los métodos de grabación, masterización y autoría de ambos.

Sincronización de reloj**El indicador CLOCK no deja de parpadear.**

- ➔ Ajuste CLK en "OFF" cuando no utilice sincronización de reloj.
- ➔ Puede estar entrando una señal de reloj con la que la unidad no puede sincronizarse. Compruebe las conexiones de los terminales de reloj y los ajustes de configuración de los dispositivos conectados. Esta unidad solo admite reloj de 10 MHz.

Se escucha un zumbido cíclico.

- ➔ Si se emite un ruido cíclico cuando la unidad está en modo de sincronización de reloj, podría ser que el dispositivo conectado no esté en modo de sincronización de reloj. Compruebe el estado de la conexión de los terminales de reloj y los ajustes de configuración de reloj del dispositivo conectado.

Conexiones USB con un ordenador**El ordenador no reconoce esta unidad.**

- ➔ Consulte la página 82 para más información sobre los sistemas operativos compatibles. No está garantizado el funcionamiento con sistemas operativos no compatibles.

Hay ruido.

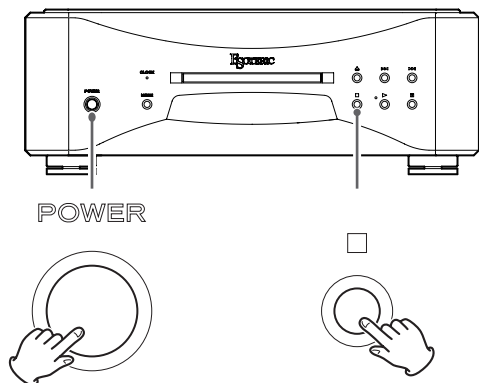
- ➔ Iniciar otras aplicaciones durante la reproducción de un archivo de audio puede interrumpir la reproducción o causar ruido. No inicie otras aplicaciones durante la reproducción.
- ➔ Si la unidad se conecta a un ordenador a través de un "hub" (concentrador) USB, por ejemplo, puede oírse ruido. Si es el caso, conecte la unidad directamente al ordenador.

No se pueden reproducir archivos de audio.

- ➔ Conecte el ordenador a esta unidad y seleccione "USB in" como entrada antes de iniciar el software de reproducción de audio y comenzar la reproducción de archivos de audio. Los datos de audio pueden no reproducirse correctamente si se conecta esta unidad al ordenador o se cambia la entrada a "USB in" después de que el software de reproducción de audio ya haya sido iniciado.

Dado que esta unidad utiliza un microcontrolador, ruidos externos y otras interferencias pueden producir anomalías de funcionamiento en la unidad. Si esto ocurre, apague la unidad y espere aproximadamente un minuto antes de volver a empezar con las operaciones.

Restablecer los ajustes de fábrica



Los ajustes se conservan aunque se desconecte el cable de corriente.

Siga este procedimiento para restablecer los ajustes predeterminados de fábrica y borrar todos los cambios de la memoria.

1 Apague la unidad.

Si la unidad está encendida, pulse el botón POWER y espere algo más de 30 segundos antes de continuar.

2 Pulse el botón POWER mientras mantiene pulsado el botón de parada (■) de la unidad principal.

Suelte el botón de parada (■) cuando "Setup CLR" (borrar configuración) aparezca en la pantalla.

Nota sobre la condensación

Si traslada esta unidad de un entorno frío al aire libre a un entorno cálido en un interior, o si se acaba de encender la calefacción en la habitación donde está situada, por ejemplo, puede producirse condensación en alguna de las piezas funcionales o en las lentes, dando como resultado un funcionamiento incorrecto. Si esto ocurre, deje la unidad encendida y espere una o dos horas. Así debería restablecerse la reproducción con normalidad.

Tipos de discos reproducibles

Super Audio CD, CD (incluidos CD-R y CD-RW)

Salidas de audio analógico

XLR.....	1 par (izda./dcha.)
Impedancia de salida.....	40 Ω
Nivel de salida máximo.....	5,0 Vrms
RCA.....	1 par (izda./dcha.)
Impedancia de salida.....	15 Ω
Nivel de salida máximo.....	2,5 Vrms
Rendimiento de audio (cuando Super Audio CD a 0 dB, DSD/F es F2, salida XLR)	
Respuesta de frecuencias.....	de 5 Hz a 75 kHz (–3 dB)
Relación señal/ruido.....	113 dB
Distorsión.....	0,0007 % (1 kHz)

Salidas de audio digital

XLR.....	1
RCA.....	1

Entradas de audio digital

COAXIAL.....	1
Impedancia de entrada.....	75 Ω
OPTICAL.....	1
USB-B (compatible con USB 2.0).....	1

Entrada de reloj

BNC.....	1
Impedancia de entrada.....	50 Ω
Frecuencias que pueden introducirse (± 10 ppm).....	10 MHz
Nivel de entrada.....	de 0,5 to 1,0 Vrms (onda senoidal)

General

Alimentación

Modelo para Europa.....	CA 220–240 V, 50/60 Hz
Modelo para EE. UU./Canadá.....	CA 120 V, 60 Hz
Modelo para Corea.....	CA 220 V, 60 Hz
Modelo para Hong Kong.....	CA 230 V, 50 Hz

Consumo de corriente..... 30 W
Dimensiones externas (ancho \times alto \times profundo, salientes incluidos)
445 \times 162 \times 447 mm

Peso..... 35 kg
Temperatura de funcionamiento..... de +5 °C a +35 °C
Humedad de funcionamiento..... de 5 % a 85 % (sin condensación)
Temperatura de almacenamiento..... de –20 °C a +55 °C

Accesorios incluidos

- Cable de corriente \times 1
- Mando a distancia (RC-1315) \times 1
- Pilas para el mando a distancia (AAA) \times 2
- Almohadillas de fieltro \times 4
- Tapas (para la entrada de corriente continua DC IN) \times 2
- Manual del usuario (este documento) \times 1
- Tarjeta de garantía \times 1

- Las especificaciones y el diseño están sujetos a cambios sin previo aviso.
- El peso y las dimensiones son aproximados.
- Las ilustraciones de este Manual del usuario pueden diferir ligeramente de los modelos de producción.

Dibujos con las dimensiones

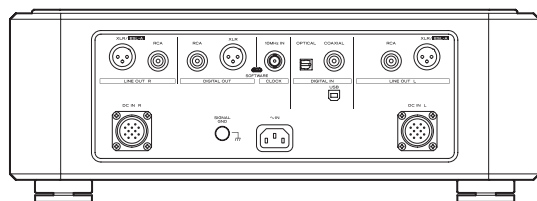
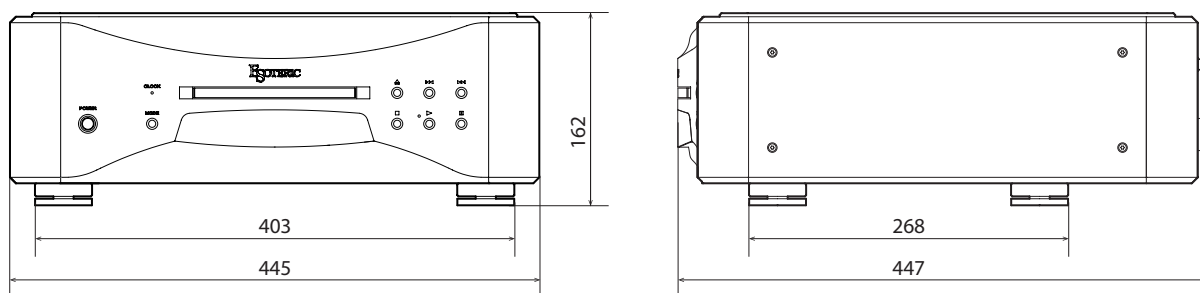
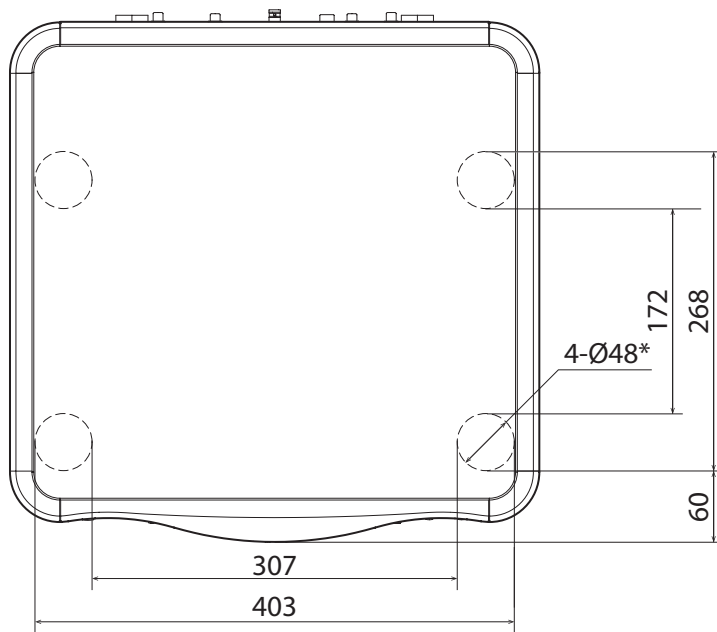


Diagrama de colocación de las patas



Dimensiones en milímetros (mm)
* 4 patas de 48 mm de diámetro

Important notice regarding software

The software used in this product includes software that TEAC Corporation (hereafter, "TEAC") has received permission to use from third parties either directly or indirectly.

1. CMSIS Cortex-M
2. STM32F4xx Hardware Abstraction Layer Driver
3. STM32F4xx Low-Layer Driver

TEAC provides the following information in accordance with the requirements of the software copyright holder.

• CMSIS Cortex-M

Portions Copyright (c) 2016 STMicroelectronics International N.V. All rights reserved.
Portions Copyright (c) 2013 ARM LIMITED
All rights reserved.

Redistribution and use in source and binary forms, with or without modification, are permitted provided that the following conditions are met:

- Redistributions of source code must retain the above copyright notice, this list of conditions and the following disclaimer.
- Redistributions in binary form must reproduce the above copyright notice, this list of conditions and the following disclaimer in the documentation and/or other materials provided with the distribution.
- Neither the name of ARM nor the names of its contributors may be used to endorse or promote products derived from this software without specific prior written permission.

THIS SOFTWARE IS PROVIDED BY THE COPYRIGHT HOLDERS AND CONTRIBUTORS "AS IS" AND ANY EXPRESS OR IMPLIED WARRANTIES, INCLUDING, BUT NOT LIMITED TO, THE IMPLIED WARRANTIES OF MERCHANTABILITY AND FITNESS FOR A PARTICULAR PURPOSE ARE DISCLAIMED. IN NO EVENT SHALL COPYRIGHT HOLDERS AND CONTRIBUTORS BE LIABLE FOR ANY DIRECT, INDIRECT, INCIDENTAL, SPECIAL, EXEMPLARY, OR CONSEQUENTIAL DAMAGES (INCLUDING, BUT NOT LIMITED TO, PROCUREMENT OF SUBSTITUTE GOODS OR SERVICES; LOSS OF USE, DATA, OR PROFITS; OR BUSINESS INTERRUPTION) HOWEVER CAUSED AND ON ANY THEORY OF LIABILITY, WHETHER IN CONTRACT, STRICT LIABILITY, OR TORT (INCLUDING NEGLIGENCE OR OTHERWISE) ARISING IN ANY WAY OUT OF THE USE OF THIS SOFTWARE, EVEN IF ADVISED OF THE POSSIBILITY OF SUCH DAMAGE.

- **STM32F4xx Hardware Abstraction Layer Driver**
- **STM32F4xx Low-Layer Driver**

COPYRIGHT(c) 2017 STMicroelectronics

Redistribution and use in source and binary forms, with or without modification, are permitted provided that the following conditions are met:

1. Redistributions of source code must retain the above copyright notice, this list of conditions and the following disclaimer.
2. Redistributions in binary form must reproduce the above copyright notice, this list of conditions and the following disclaimer in the documentation and/or other materials provided with the distribution.
3. Neither the name of STMicroelectronics nor the names of its contributors may be used to endorse or promote products derived from this software without specific prior written permission.

THIS SOFTWARE IS PROVIDED BY THE COPYRIGHT HOLDERS AND CONTRIBUTORS "AS IS" AND ANY EXPRESS OR IMPLIED WARRANTIES, INCLUDING, BUT NOT LIMITED TO, THE IMPLIED WARRANTIES OF MERCHANTABILITY AND FITNESS FOR A PARTICULAR PURPOSE ARE DISCLAIMED. IN NO EVENT SHALL THE COPYRIGHT HOLDER OR CONTRIBUTORS BE LIABLE FOR ANY DIRECT, INDIRECT, INCIDENTAL, SPECIAL, EXEMPLARY, OR CONSEQUENTIAL DAMAGES (INCLUDING, BUT NOT LIMITED TO, PROCUREMENT OF SUBSTITUTE GOODS OR SERVICES; LOSS OF USE, DATA, OR PROFITS; OR BUSINESS INTERRUPTION) HOWEVER CAUSED AND ON ANY THEORY OF LIABILITY, WHETHER IN CONTRACT, STRICT LIABILITY, OR TORT (INCLUDING NEGLIGENCE OR OTHERWISE) ARISING IN ANY WAY OUT OF THE USE OF THIS SOFTWARE, EVEN IF ADVISED OF THE POSSIBILITY OF SUCH DAMAGE.

ESOTERIC

ESOTERIC COMPANY

1-47 Ochiai, Tama-shi, Tokyo 206-8530, Japan

Phone: +81-42-356-9156

This product has a serial number located on the rear panel. Please write it here and retain this for your records.

Model name: Grandioso K1X

Serial number _____

0420-MA-2961C